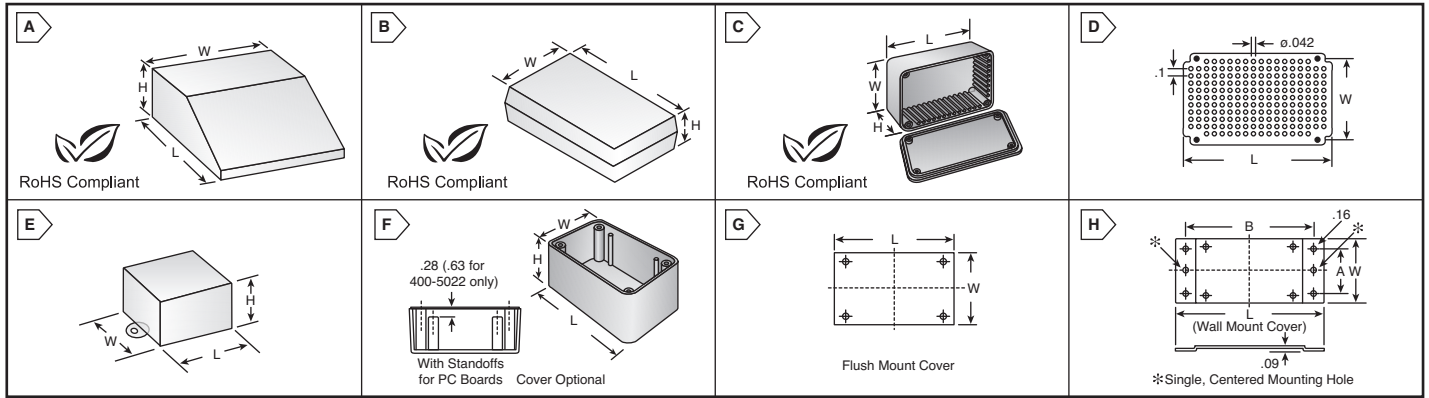


Enclosures and Consoles



ALUMINUM MODULAR DESKTOP CONSOLES

The length of the flat top is 1/2 of the total length. For quantities of 500 and up, call for quote.

MOUSER STOCK NO.	LMB Part No.	Fig.	Dimensions: in.			Price Each			
			L	W	H	1	10	50	100
Unpainted (Includes Rubber Feet)									
537-MDC321-01	MDC321	A	3.00	2.00	1.50	6.55	5.90	5.71	5.51
537-MDC432-01	MDC432	A	4.00	3.00	2.00	8.81	7.94	7.67	7.40
537-MDC532-01	MDC532	A	5.00	3.00	2.00	10.16	9.15	8.83	8.52
537-MDC642-01	MDC642	A	6.00	4.00	2.25	12.13	10.92	10.56	10.19
537-MDC752-01	MDC752	A	7.00	5.00	2.50	13.99	12.59	12.17	11.75
537-MDC862-01	MDC862	A	8.00	6.00	2.75	18.39	16.56	15.99	15.44
537-MDC973-01	MDC973	A	9.00	7.00	3.00	20.24	18.23	17.60	16.99
537-MDC1183-01	MDC1183	A	11.00	8.00	3.50	39.21	35.31	34.16	32.91
537-MDC13104-01	MDC13104	A	13.00	10.00	4.00	41.08	36.98	35.74	34.51
537-MDC15155-01	MDC15155	A	15.00	15.00	4.50	66.98	60.29	58.28	56.27
Painted Beige / Ivory (Includes Rubber Feet)									
537-MDC321-BI	MDC321-BI	A	3.00	2.00	1.50	10.18	9.17	8.85	8.55
537-MDC432-BI	MDC432-BI	A	4.00	3.00	2.00	13.78	12.39	11.98	11.58
537-MDC532-BI	MDC532-BI	A	5.00	3.00	2.00	15.38	13.84	13.36	12.91
537-MDC642-BI	MDC642-BI	A	6.00	4.00	2.25	18.27	16.44	15.88	15.34
537-MDC752-BI	MDC752-BI	A	7.00	5.00	2.50	20.39	18.36	17.74	17.12
537-MDC862-BI	MDC862-BI	A	8.00	6.00	2.75	26.07	23.47	22.67	21.90
537-MDC973-BI	MDC973-BI	A	9.00	7.00	3.00	29.09	26.18	25.31	24.44
537-MDC1042-BI	MDC1042-BI	A	10.00	4.50	2.50	26.92	24.23	23.43	22.61
537-MDC1183-BI	MDC1183-BI	A	11.00	8.00	3.50	39.20	35.30	34.11	32.93
537-MDC13104-BI	MDC13104-BI	A	13.00	10.00	4.00	51.64	46.47	44.92	43.37
537-MDC15155-BI	MDC15155-BI	A	15.00	15.00	4.50	81.97	73.78	71.33	68.85

ENCLOSURES AND LIDS

For quantities of 500 and up, call for quote.

MOUSER STOCK NO.	LMB Part No.	Fig.	Dimensions: in.			Price Each			
			L	W	H	1	10	50	100
Drawn Miniature Boxes - Unplated									
537-M01	M01	E	1.25	1.00	1.00	1.79	1.60	1.56	1.49
537-M10	M10	E	1.75	1.25	0.88	1.79	1.60	1.56	1.49
537-M17	M17	E	2.00	1.75	1.00	1.79	1.60	1.56	1.49
537-M18	M18	E	2.00	2.00	1.25	1.79	1.60	1.56	1.49
Lids - Unplated (Match Lid Part Number to Box Part Number)									
537-M01-L	M01-L	E	1.13	1.00	---	1.21	1.10	1.06	1.02
537-M10-L	M10-L	E	1.75	1.25	---	1.21	1.10	1.06	1.02
537-M17-L	M17-L	E	2.00	1.75	---	1.21	1.10	1.06	1.02
537-M18-L	M18-L	E	2.00	2.00	---	1.21	1.10	1.06	1.02
Drawn Miniature Boxes - Cadmium Plated (M23 Thru M27 Do Not Have Mounting Ears)									
537-M01-PLTD	M01-PLTD	E	1.13	1.00	0.94	3.10	2.80	2.70	2.62
537-M06-PLTD	M06-PLTD	E	1.50	1.13	0.75	3.10	2.80	2.70	2.62
537-M10-PLTD	M10-PLTD	E	1.75	1.25	0.88	3.10	2.80	2.70	2.62
537-M11-PLTD	M11-PLTD	E	2.00	1.25	0.75	3.10	2.80	2.70	2.62
537-M12-PLTD	M12-PLTD	E	2.00	1.25	1.00	3.10	2.80	2.70	2.62
537-M15-PLTD	M15-PLTD	E	2.00	1.75	0.50	3.10	2.80	2.70	2.62
537-M16-PLTD	M16-PLTD	E	2.00	1.75	0.75	3.10	2.80	2.70	2.62
537-M17-PLTD	M17-PLTD	E	2.00	1.75	1.00	3.10	2.80	2.70	2.62
537-M18-PLTD	M18-PLTD	E	2.00	2.00	1.25	3.10	2.80	2.70	2.62
537-M21-PLTD	M21-PLTD	E	2.50	2.00	1.25	3.10	2.80	2.70	2.62
537-M23-PLTD	M23-PLTD	E	3.88	2.38	0.88	3.10	2.80	2.70	2.62
537-M24-PLTD	M24-PLTD	E	2.00	1.75	0.75	3.10	2.80	2.70	2.62
537-M25-PLTD	M25-PLTD	E	3.06	3.06	2.63	7.53	6.79	6.55	6.33
537-M26-PLTD	M26-PLTD	E	4.63	2.38	2.25	7.53	6.79	6.55	6.33
Lids - Cadmium Plated (Match Lid Part Number to Box Part Number)									
537-M01-L-PLTD	M01-L-PLTD	E	1.13	1.00	---	1.89	1.71	1.65	1.58
537-M06-L-PLTD	M06-L-PLTD	E	1.50	1.13	---	1.89	1.71	1.65	1.58
537-M10-L-PLTD	M10-L-PLTD	E	1.75	1.25	---	1.89	1.71	1.65	1.58
537-M11-L-PLTD	M11-L-PLTD	E	2.00	1.25	---	1.89	1.71	1.65	1.58
537-M12-L-PLTD	M12-L-PLTD	E	2.00	1.25	---	1.89	1.71	1.65	1.58
537-M15-L-PLTD	M15-L-PLTD	E	2.00	1.75	---	1.89	1.71	1.65	1.58
537-M16-L-PLTD	M16-L-PLTD	E	2.00	1.75	---	1.89	1.71	1.65	1.58
537-M17-L-PLTD	M17-L-PLTD	E	2.00	1.75	---	1.89	1.71	1.65	1.58
537-M18-L-PLTD	M18-L-PLTD	E	2.00	2.00	---	1.89	1.71	1.65	1.58
537-M21-L-PLTD	M21-L-PLTD	E	2.50	2.00	---	3.11	2.81	2.71	2.60
537-M23-L-PLTD	M23-L-PLTD	E	3.88	2.38	---	1.89	1.71	1.65	1.58
537-M24-L-PLTD	M24-L-PLTD	E	2.00	1.75	---	1.89	1.71	1.65	1.58
537-M25-L-PLTD	M25-L-PLTD	E	3.06	3.06	---	3.62	3.26	3.15	3.04
537-M26-L-PLTD	M26-L-PLTD	E	4.63	2.38	---	3.62	3.26	3.15	3.04
537-M27-L-PLTD	M27-L-PLTD	E	4.75	3.00	---	3.62	3.26	3.15	3.04

HIGH-IMPACT ABS ENCLOSURES, STANDARD

- Scratch resistant grain finish
 - Card guides for vertical mounting of circuit boards
 - 9 volt battery compartment (500 Series)
 - Internal mounting bosses for horizontal circuit boards
- Note: All dimensions are outside measurements

Color Code Chart

To order add applicable suffix for desired color to Mouser Stock No.

Color	Black	Gray	Almond
Suffix	BK	GY	AL

MOUSER STOCK NO.	LMB Part No.	Fig.	Dimensions: in.			Vert. Card Pos.	Mtg. Post	Price Each			
			L	W	H			1	10	50	100
537-400-I-	400-I-	B	3.60	2.25	1.00	---	---	6.61	5.95	5.76	5.55
537-401-	401-	B	3.60	2.25	1.50	2	4	6.51	5.85	5.66	5.46
537-402-	402-	B	4.38	3.25	1.50	3	4	8.69	7.82	7.56	7.29
537-403-	403-	B	5.62	3.25	1.50	4	4	11.17	10.06	9.71	9.40
537-404-	404-	B	6.87	4.87	1.50	5	8	11.53	10.39	10.03	9.69
537-408-	408-	B	6.87	4.87	2.00	5	8	14.34	12.91	12.47	12.04
537-410-	410-	B	4.38	3.25	2.50	3	4	9.81	8.84	8.54	8.24
537-411-	411-	B	5.62	3.25	2.50	4	4	12.98	11.70	11.30	10.91
537-412-	412-	B	6.87	4.87	2.50	5	8	15.07	13.56	13.10	12.66
537-413-	413-	B	9.50	6.34	1.50	---	---	21.43	19.28	18.63	17.99
537-501-	501-	B	4.11	2.61	1.50	1	4	7.15	6.44	6.23	6.01
537-502-	502-	B	4.38	3.25	1.50	3	4	9.36	8.44	8.15	7.87
537-503-	503-	B	5.62	3.25	1.50	3	4	12.79	11.51	11.13	10.75

BLACK HIGH-IMPACT POLYSTYRENE

- Two styles of lids are available: flush mount and wall mount
- Covers and custom PC boards must be ordered separately

MOUSER STOCK NO.	Fig.	Dimensions: in.			# of PC Standoffs	Price Each				
		L	W	H		1	10	25	50	100
400-5022	F	2.00	1.40	1.00	2	2.52	2.10	1.91	1.74	1.59
400-5032	F	2.70	1.71	1.18	2	3.43	3.00	2.73	2.44	2.20
400-5043	F	3.29	2.11	1.38	2	3.63	3.03	2.75	2.50	2.27
400-5053	F	4.19	2.74	1.57	4	4.34	3.62	3.41	3.16	3.08
400-5064	F	5.30	3.33	1.57	4	6.24	5.20	4.73	4.30	3.90
400-5074	F	6.90	4.30	1.60	4	7.67	6.73	6.29	5.72	5.20

UNPAINTED ALUMINUM COVERS

- Peel off protective plastic skin
- Includes hardware

MOUSER STOCK NO.	Fig.	Dimensions: in.				Fits Cases	Price Each				
		L	W	A	B		1	10	25	50	100
400-7022	G	1.89	1.30	---	---	400-5022	1.96	1.63	1.55	1.41	1.34
400-7032	G	2.56	1.57	---	---	400-5032	2.95	2.57	2.44	2.22	2.12
400-7043	G	3.15	1.97	---	---	400-5043	2.68	2.23	2.03	1.85	1.76
400-7053	G	4.02	2.56	---	---	400-5053	2.98	2.48	2.32	2.11	2.01
400-7064	G	5.12	3.15	---	---	400-5064	3.49	2.91	2.72	2.47	2.35
400-8043	H	4.41	1.97	1.34	3.90	400-5043	4.02	3.50	3.27	2.97	2.70
400-8053	H	5.43	2.56	1.77	4.80	400-5053	5.38	4.48	4.08	3.71	3.54

PRE-PUNCHED COPPER CLAD PC BOARDS

- Holes: 0.042"; spacing between holes: 0.1"
- Copper clad around holes, one side
- Pre-patterned "pad-per-hole" design

MOUSER STOCK NO.	Fig.	Dimensions: in.		Fits Cases	Price Each			
		L	W		1	10	25	50
400-9032	D	2.44	1.46	400-5032	4.45	3.71	3.37	3.07
400-9043	D	3.03	1.85	400-5043	4.94	4.12	3.74	3.40
400-9053	D	3.86	2.40	400-5053	5.91	4.93	4.61	4.19
400-9064	D	4.96	2.99	400-5064	8.68	7.23	6.76	6.14