

VISHAY Optocouplers

VISHAY

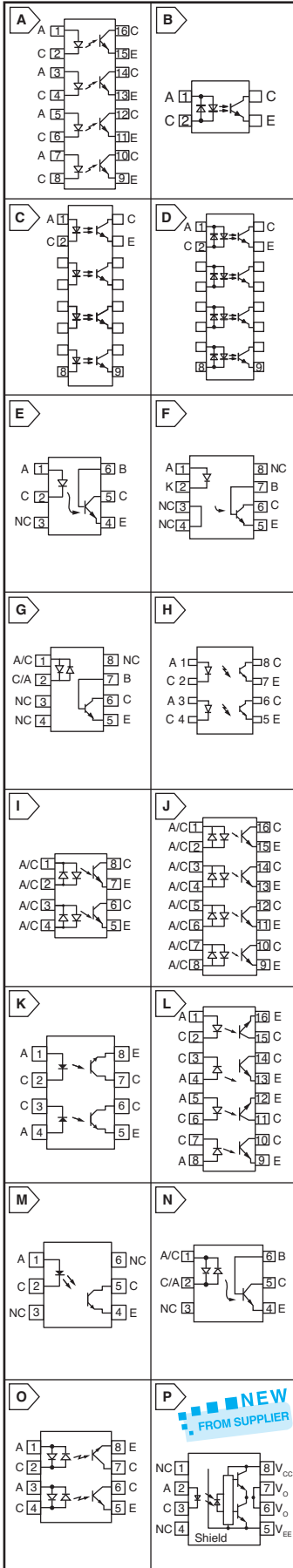
Products may be RoHS compliant.
Check mouser.com for RoHS status.

◆ Surface Mount Devices



Opto Components

Vishay Semiconductors



VISHAY PHOTO TRANSISTOR OUTPUT

Safety Standards:

- UL = UL Recognized (UL File No: E76222)
- UL/VDE = UL Recognized (E76222) & VDE Recognized
- UL/BSI/VDE = UL Recognized (E76222), BSI & VDE Recognized

For quantities of 2000 and up, call for quote.

| MOUSER STOCK NO. | | Fig. | Package | Safety Standard | IF (mA) | VCEO (max) (V) | VECO (max) (V) | Rise and Fall Times Typ. (µs) | Isolation Voltage (VRMS) | Current Transfer Ratio (Min./Typ./Max.) (%) | Price Each | | | |
|------------------|------------------|------|---------|-----------------|---------|----------------|----------------|-------------------------------|--------------------------|---|------------|------|------|------|
| Mfr. | Mfr. Part Number | | | | | | | | | | 1 | 100 | 500 | 1000 |
| ◆ | 782—SFH6916 | A | SOP-16 | UL | 50 | 70 | 7.0 | 15/0.5 | 3.75kV | 50/300/---- | 3.88 | 2.89 | 2.31 | 2.19 |
| ◆ | 78—TCMT1600 | B | SOP-4 | UL | 60 | 70 | 7.0 | 3.0/4.7 | 3.75kV | 80/----/300 | .39 | .33 | .27 | .24 |
| ◆ | 782—TCMT4100 | C | SOP-16 | UL | 60 | 70 | 7.0 | 3.0/4.7 | 3.75kV | 50/----/600 | 1.45 | 1.20 | .912 | .86 |
| ◆ | 782—TCMT4600 | D | SOP-16 | UL | 60 | 70 | 7.0 | 3.0/4.7 | 3.75kV | 80/----/300 | 1.58 | 1.32 | 1.09 | .92 |

For quantities of 2000 and up, call for quote.

| MOUSER STOCK NO. | | Fig. | Package | Safety Standard | IF (mA) | BVCEO (max) (V) | BVEBO (max) (V) | Rise and Fall Times Typ. (µs) | Isolation Voltage (VRMS) | Current Transfer Ratio (Min./Typ./Max.) (%) | Price Each | | | |
|------------------|------------------|------|---------|-----------------|---------|-----------------|-----------------|-------------------------------|--------------------------|---|------------|-----|------|------|
| Mfr. | Mfr. Part Number | | | | | | | | | | 1 | 100 | 500 | 1000 |
| | 782—CNY17-1 | E | DIP-6 | UL/BSI | 60 | 70 | 7.0 | 2.0/2.0 | 5.3kV | 40/80/---- | .23 | .19 | .157 | .135 |
| | 782—CNY17F-1 | E | DIP-6 | UL/BSI | 60 | 70 | 7.0 | 2.0/2.0 | 5.3kV | 13/30/---- | .23 | .19 | .157 | .135 |
| | 782—CNY17-2 | E | DIP-6 | UL/BSI | 60 | 70 | 7.0 | 2.0/2.0 | 5.3kV | 63/125/---- | .23 | .19 | .157 | .135 |
| | 782—CNY17F-2 | E | DIP-6 | UL/BSI | 60 | 70 | 7.0 | 2.0/2.0 | 5.3kV | 22/45/---- | .23 | .19 | .157 | .135 |
| | 782—CNY17-3 | E | DIP-6 | UL/BSI | 60 | 70 | 7.0 | 2.0/2.0 | 5.3kV | 100/200/---- | .23 | .19 | .157 | .135 |
| | 782—CNY17F-3 | E | DIP-6 | UL/BSI | 60 | 70 | 7.0 | 2.0/2.0 | 5.3kV | 34/70/---- | .23 | .19 | .157 | .135 |
| | 782—CNY17-4 | E | DIP-6 | UL/BSI | 60 | 70 | 7.0 | 2.0/2.0 | 5.3kV | 160/320/---- | .31 | .26 | .219 | .19 |
| | 782—CNY17F-4 | E | DIP-6 | UL/BSI | 60 | 70 | 7.0 | 2.0/2.0 | 5.3kV | 160/320/---- | .31 | .26 | .219 | .19 |
| | 782—IL2 | E | DIP-6 | UL | 60 | 70 | 7.0 | 2.6/2.2 | 5.3kV | 100/200/500 | .63 | .53 | .44 | .386 |

| MOUSER STOCK NO. | | Fig. | Package | Safety Standard | IF (mA) | BVCEO (max) (V) | BVECO (max) (V) | Rise and Fall Times Typ. (µs) | Isolation Voltage (VRMS) | Current Transfer Ratio (Min./Typ./Max.) (%) | Price Each | | | |
|------------------|------------------|------|---------|-----------------|---------|-----------------|-----------------|-------------------------------|--------------------------|---|------------|------|------|------|
| Mfr. | Mfr. Part Number | | | | | | | | | | 1 | 100 | 500 | 1000 |
| ◆ | 782—IL205AT | F | SOIC-8 | UL | 60 | 70 | 7.0 | 3.0/3.0 | 3.0kV | 40/----/80 | .56 | .47 | .39 | .34 |
| ◆ | 782—IL206AT | F | SOIC-8 | UL | 60 | 70 | 7.0 | 3.0/3.0 | 3.0kV | 63/----/125 | .56 | .47 | .39 | .34 |
| ◆ | 782—IL208AT | F | SOIC-8 | UL | 60 | 70 | 7.0 | 3.0/3.0 | 3.0kV | 100/----/320 | .56 | .47 | .39 | .34 |
| ◆ | 782—IL211AT | F | SOIC-8 | UL | 60 | 30 | 7.0 | 3.0/3.0 | 3.0kV | 20/50/---- | .56 | .47 | .39 | .34 |
| ◆ | 782—IL217AT | F | SOIC-8 | UL | 60 | 30 | 7.0 | 3.0/3.0 | 3.0kV | 100/130/---- | .61 | .51 | .42 | .37 |
| ◆ | 782—IL256AT | G | SOIC-8 | UL/CSA | 60 | 30 | 5.0 | ----/---- | 3.0kV | 20/----/---- | .73 | .61 | .51 | .45 |
| ◆ | 782—ILD205T | H | SOIC-8 | UL | 10 | 70 | 7.0 | 5.0/4.0 | 3.0kV | 40/----/80 | .80 | .67 | .56 | .489 |
| ◆ | 782—ILD206T | H | SOIC-8 | UL | 10 | 70 | 7.0 | 5.0/4.0 | 3.0kV | 63/----/125 | .80 | .67 | .56 | .489 |
| ◆ | 782—ILD207T | H | SOIC-8 | UL | 10 | 70 | 7.0 | 5.0/4.0 | 3.0kV | 100/----/200 | .80 | .67 | .56 | .489 |
| ◆ | 782—ILD211T | H | SOIC-8 | UL | 10 | 70 | 7.0 | 5.0/4.0 | 3.0kV | 20/----/---- | .84 | .67 | .56 | .49 |
| ◆ | 782—ILD213T | H | SOIC-8 | UL | 10 | 70 | 7.0 | 5.0/4.0 | 3.0kV | 100/----/---- | .80 | .67 | .56 | .489 |
| ◆ | 782—ILD217T | H | SOIC-8 | UL | 10 | 70 | 7.0 | 5.0/4.0 | 3.0kV | 100/120/---- | .85 | .71 | .59 | .52 |
| ◆ | 782—ILD256T | I | SOIC-8 | UL | 30 | 70 | 7.0 | ----/---- | 3.0kV | 20/----/---- | 1.12 | .94 | .78 | .68 |
| ◆ | 782—ILD615-2 | H | DIP-8 | UL/BSI/CSA | 60 | 70 | 7.0 | 2.8/14 | 5.3kV | ----/40/---- | 1.10 | .92 | .76 | .667 |
| ◆ | 782—ILD615-3 | H | DIP-8 | UL/BSI/CSA | 60 | 70 | 7.0 | 2.8/14 | 5.3kV | ----/60/---- | 1.15 | .92 | .76 | .665 |
| ◆ | 782—ILD615-4 | H | DIP-8 | UL/BSI/CSA | 60 | 70 | 7.0 | 4.6/15 | 5.3kV | ----/100/---- | 1.12 | .94 | .78 | .68 |
| ◆ | 782—ILQ615-1 | A | DIP-16 | UL/BSI/CSA | 60 | 70 | 7.0 | 2.0/11 | 5.3kV | ----/25/---- | 2.43 | 2.04 | 1.68 | 1.38 |
| ◆ | 782—ILQ615-2 | A | DIP-16 | UL/BSI/CSA | 60 | 70 | 7.0 | 2.8/14 | 5.3kV | ----/40/---- | 2.31 | 1.94 | 1.60 | 1.31 |
| ◆ | 782—ILQ615-3 | A | DIP-16 | UL/BSI/CSA | 60 | 70 | 7.0 | 2.8/14 | 5.3kV | ----/60/---- | 2.31 | 1.94 | 1.60 | 1.31 |
| ◆ | 782—ILQ615-4 | A | DIP-16 | UL/BSI/CSA | 60 | 70 | 7.0 | 4.6/15 | 5.3kV | ----/100/---- | 2.43 | 2.04 | 1.68 | 1.38 |
| ◆ | 782—ILD620 | I | DIP-8 | UL/BSI/CSA | 60 | 70 | ---- | 20/2.0 | 5.3kV | 50/80/600 | 1.58 | 1.33 | .996 | .896 |
| ◆ | 782—ILD620GB | I | DIP-8 | UL/BSI/CSA | 60 | 70 | ---- | 20/2.0 | 5.3kV | 100/200/600 | 1.75 | 1.47 | 1.10 | .966 |
| ◆ | 782—ILQ620 | J | DIP-16 | UL/BSI/CSA | 60 | 70 | ---- | 20/2.0 | 5.3kV | 50/80/600 | 2.87 | 2.14 | 1.71 | 1.55 |
| ◆ | 782—ILQ620GB | J | DIP-16 | UL/BSI/CSA | 60 | 70 | ---- | 20/2.0 | 5.3kV | 100/200/600 | 3.23 | 2.41 | 1.92 | 1.83 |
| ◆ | 782—MOC8102 | E | DIP-6 | UL/BSI/CSA | 60 | 30 | 7.0 | 2.0/2.0 | 5.3kV | 73/----/117 | .37 | .31 | .25 | .22 |
| ◆ | 782—MCT5211 | E | DIP-6 | UL/BSI/CSA | 40 | 30 | 7.0 | 20/20 | 5.3kV | 150/300/---- | .93 | .78 | .62 | .528 |

For quantities of 2000 and up, call for quote.

| MOUSER STOCK NO. | | Fig. | Package | Safety Standard | IF (mA) | VCER (max) (V) | VECO (max) (V) | Rise and Fall Times Typ. (µs) | Isolation Voltage (VRMS) | Current Transfer Ratio (Min./Typ./Max.) (%) | Price Each | | | |
|------------------|------------------|------|---------|-----------------|---------|----------------|----------------|-------------------------------|--------------------------|---|------------|------|------|------|
| Mfr. | Mfr. Part Number | | | | | | | | | | 1 | 100 | 500 | 1000 |
| | 782—ILD2 | K | DIP-8 | UL/BSI/VDE | 60 | 70 | ---- | 2.6/2.2 | 5.3kV | 100/200/500 | .64 | .52 | .425 | .375 |
| | 782—ILQ1 | L | DIP-16 | UL/BSI/VDE | 60 | 50 | ---- | 1.9/1.4 | 5.3kV | 20/80/300 | 1.83 | 1.53 | 1.14 | 1.00 |
| | 782—ILQ2 | L | DIP-16 | UL/BSI/VDE | 60 | 70 | ---- | 2.6/2.2 | 5.3kV | 100/200/500 | 1.70 | 1.35 | 1.01 | .914 |
| | 78—TCMT1100 | M | DIP-6 | UL/VDE | 60 | 32 | 7.0 | 11/7.0 | 3.75kV | 40/----/---- | .34 | .27 | .22 | .19 |
| | 78—TCMT1101 | M | DIP-6 | UL/VDE | 60 | 32 | 7.0 | 11/7.0 | 3.75kV | 40/----/80 | .34 | .27 | .22 | .19 |
| | 78—TCMT1102 | M | DIP-6 | UL/VDE | 60 | 32 | 7.0 | 11/7.0 | 3.75kV | 63/----/125 | .31 | .26 | .22 | .19 |
| | 78—TCMT1103 | M | DIP-6 | UL/VDE | 60 | 32 | 7.0 | 11/7.0 | 3.75kV | 100/----/200 | .31 | .26 | .22 | .19 |

VISHAY HIGH VOLTAGE PHOTO TRANSISTOR OUTPUT

For quantities of 2000 and up, call for quote.

| MOUSER STOCK NO. | | Fig. | Package | Safety Standard | IF (mA) | VCEO (max) (V) | VEBO (max) (V) | Rise and Fall Times Typ. (µs) | Isolation Voltage (VRMS) | Current Transfer Ratio (Min./Typ./Max.) (%) | Price Each | | | |
|------------------|------------------|------|---------|-----------------|---------|----------------|----------------|-------------------------------|--------------------------|---|------------|-----|------|------|
| Mfr. | Mfr. Part Number | | | | | | | | | | 1 | 100 | 500 | 1000 |
| | 782—H11D1 | E | DIP-6 | UL | 60 | 300 | 7.0 | 2.5/2.5 | 5.3kV | 20/----/---- | 1.11 | .92 | .746 | .658 |
| | 782—H11D2 | E | DIP-6 | UL | 60 | 300 | 7.0 | 2.5/2.5 | 5.3kV | 20/----/---- | 1.15 | .92 | .76 | .626 |
| | 782—H11D3 | E | DIP-6 | UL | 60 | 200 | 7.0 | 2.5/2.5 | 5.3kV | 20/----/---- | .90 | .76 | .613 | .541 |

VISHAY DUAL PHOTO TRANSISTOR OUTPUT

For quantities of 2000 and up, call for quote.

| MOUSER STOCK NO. | | Fig. | Package | Safety Standard | IF (mA) | BVCEO (max) (V) | BVECO (max) (V) | Rise and Fall Times Typ. (µs) | Isolation Voltage (VRMS) | Current Transfer Ratio (Min./Typ./Max.) (%) | Price Each | | | |
|------------------|------------------|------|---------|-----------------|---------|-----------------|-----------------|-------------------------------|--------------------------|---|------------|-----|------|------|
| Mfr. | Mfr. Part Number | | | | | | | | | | 1 | 100 | 500 | 1000 |
| | 782—MCT6 | K | DIP-8 | UL/CSA | 60 | 30 | 7.0 | 3.0/3.0 | 5.3kV | 20/50/---- | .44 | .35 | .298 | .26 |

VISHAY BI-DIRECTIONAL INPUT PHOTO TRANSISTOR OUTPUT

For quantities of 2000 and up, call for quote.

| MOUSER STOCK NO. | | Fig. | Package | Safety Standard | IF (mA) | VCEO (max) (V) | VECO (max) (V) | Rise and Fall Times Typ. (µs) | Isolation Voltage (VRMS) | Current Transfer Ratio (Min./Typ./Max.) (%) | Price Each | | | |
|------------------|------------------|------|---------|-----------------|---------|----------------|----------------|-------------------------------|--------------------------|---|------------|------|------|------|
| Mfr. | Mfr. Part Number | | | | | | | | | | 1 | 100 | 500 | 1000 |
| | 782—H11AA1 | N | DIP-6 | UL | 60 | 30 | 7.0 | ----/---- | 5.3kV | 20/----/---- | .77 | .65 | .54 | .47 |
| | 782—IL250 | N | DIP-6 | UL/VDE | 60 | 30 | 5.0 | ----/---- | 5.3kV | 50/----/---- | .90 | .75 | .62 | .499 |
| | 782—IL251 | N | DIP-6 | UL/VDE | 60 | 30 | 5.0 | ----/---- | 5.3kV | 20/----/---- | .97 | .81 | .67 | .54 |
| | 782—IL252 | N | DIP-6 | UL/VDE | 60 | 30 | 5.0 | ----/---- | 5.3kV | 100/----/---- | 1.03 | .85 | .71 | .62 |
| | 782—ILD250 | O | DIP-8 | UL/VDE | 60 | 30 | 5.0 | ----/---- | 5.3kV | 50/----/---- | 2.31 | 1.94 | 1.45 | 1.30 |
| | 782—ILD252 | O | DIP-8 | UL/VDE | 60 | 30 | 5.0 | ----/---- | 5.3kV | 100/----/---- | 2.99 | 2.23 | 1.78 | 1.69 |

VISHAY CURRENT IGBT AND MOSFET DRIVER

For quantities of 2000 and up, call for quote.

| MOUSER STOCK NO. | | Fig. | Package | Safety Standard | IF (mA) | IOH/IO L (PEAK) (Max)(A) | Rise & Fall Times Typ.(µs) | V _{CC} - V _{EE} (V) | Isolation Voltage (VRMS) | Total Power Dissipation (Max)(mW) | Price Each | | | |
|------------------|-------------------|------|---------|-----------------|---------|--------------------------|----------------------------|---------------------------------------|--------------------------|-----------------------------------|------------|------|------|------|
| Mfr. | Mfr. Part Number | | | | | | | | | | 1 | 100 | 500 | 1000 |
| ◆ | 782-V03120-X007T | P | SMD-8 | UL/CSA | 25 | 2.5 | 0.1/0.1 | 15/32 | 5.3kV | 295 | 1.65 | 1.32 | 1.09 | .96 |
| ◆ | 782-V03120 | P | DIP-8 | UL/CSA | 25 | 2.5 | 0.1/0.1 | 15/32 | 5.3kV | 295 | 1.55 | 1.24 | 1.02 | .90 |
| ◆ | 782-V03150A-X007T | P | SMD-8 | UL/CSA | 25 | 0.5 | 0.1/0.1 | 15/32 | 5.3kV | 295 | 1.40 | 1.12 | .92 | .81 |
| ◆ | 782-V03150A | P | DIP-8 | UL/CSA | 25 | 0.5 | 0.1/0.1 | 15/32 | 5.3kV | 295 | 1.30 | 1.04 | .86 | .75 |