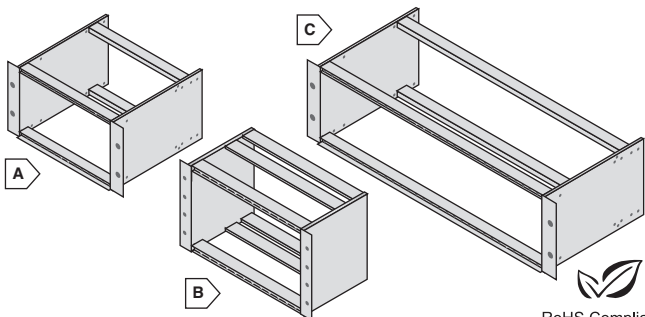


VECTOR Racks and Accessories



COMPACT CPCI® SUBRACKS

Subracks for 3U or 6U Compact PCI applications are available off-the-shelf in assembled or kit form. Four standard depths are offered. The 10" depth allows for backplane mounting. The 12" wide depth accommodates 80mm rear I/O card guides and the 15" depth accepts greater than 160mm rear I/O and can accommodate 220mm cards if specified. cPCI® subracks built to IEEE 1101.10 and 1101.11 standards come with one pair of guides for sampling. Additional guides and accessories including perforated top and bottom covers can be ordered. Custom orders are welcomed.



RoHS Compliant

MOUSER STOCK NO.	Vector Part No.	Fig.	Description			Price Each	
			Width	Depth	Height	1	5
574-CCA26-36-00	CCA26-36-00	A	7.4"	8.5"	3U	160.20	152.19
574-CCA28-84-00	CCA28-84-00	B	19.0"	10.0"	6U	219.17	215.00
574-CCA26-84	CCA26-84-00-00	C	19.0"	8.5"	3U	168.30	159.88
574-CCA27-84	CCA27-84-00-00	C	19.0"	12.0"	3U	174.90	166.00
574-CCA31-84	CCA31-84-00-00	C	19.0"	12.0"	3U	238.05	214.25
574-CCA32-84	CCA32-84-00-00	C	19.0"	15.0"	6U	233.26	228.26

COMPACT CPCI® SUBRACKS

- For use with Subracks
- In packages of 12

RoHS Compliant

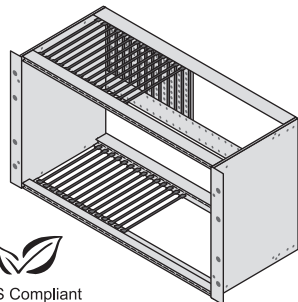
MOUSER STOCK NO.	Vector Part No.	Description	Price Per Pack	
			1	5
574-CG3-160/12	CG3-160/12	Card Guide 160mm	29.35	23.66
574-CG3-220/12	CG3-220/12	Card Guide 220mm	32.76	28.08

DIN BASED VECTOR-PAK® SUBRACK KITS AND CARD GUIDES

Vector Subrack packaging for 19" systems offers a versatile and comprehensive solution to your packaging needs. Based on DIN 41914, all parts conform to a system which allows your unique design to be constructed from a combination of standards. You may mix module sizes and add accessories without the need for special designs.

Other subracks and accessories are available.

- Assembled CCK160-6U with optional card guides



RoHS Compliant

MOUSER STOCK NO.	Vector Part No.	Dimensions W x H x D (in.)	Card Size H x W	Price Each	
				1	5
574-CCK160-3U	CCK160-3U	19 x 5.25 x 9.27	3U x 160mm	189.33	169.66
574-CCK160-6U	CCK160-6U	19 x 10.50 x 9.67	6U x 160mm	205.01	173.44
574-CCK220-3U	CCK220-3U	19 x 5.25 x 11.65	3U x 220mm	192.66	169.02
574-CCK220-6U	CCK220-6U	19 x 10.50 x 12	6U x 220mm	209.95	188.26

CARD GUIDES FOR DIN-BASED SUBRACKS

- Snap-In Type: glass filled noryl
- In packages of 12

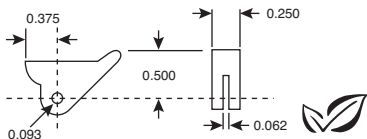
RoHS Compliant

MOUSER STOCK NO.	Vector Part No.	Length (mm)	Card Thickness	Application	Price Per Pack	
					1	5
574-CG1-160-12	CG1-160/12	160	0.062	CCK160	21.60	19.00
574-CG1-220-12	CG1-220/12	220	0.062	CCK220	25.81	23.14

ACCESSORIES

Rotation Type Ejector Handle

- Card Ejector, Corner Mounting
- White Nylon (Hardware included)
- Supports up to 40lbs. Extraction Force



RoHS Compliant

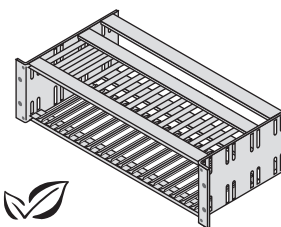
MOUSER STOCK NO.	Vector Part No.	Packaging	Price Per Pack	
			1	5
574-HA9-4	HA9/4	Package of 4	10.61	9.52
574-HA9/C	HA9/C	Package of 100	121.15	106.81

© Copyright 2009 Mouser Electronics

EIA BASED VECTOR-PAK® SUBRACKS AND CARD GUIDES

Features:

- Guide Positions at 0.25" increments
- Adjustable Slots
- Sidewall Slots Adjustable to 1"
- For 4.5" x 6.5" cards
- Rear Struts for Mounting Connectors
- Available in Kits or Assembled
- Card Size H x W (in.): 4.5 x 5.5-7.0
- Construction: 0.080" Thick Aluminum, Clear Chromate Finish



RoHS Compliant

CCK = Kit CCA = Assembled

MOUSER STOCK NO.	Vector Part No.	Dimensions W x H x D (in.)	Snap-In Guide Sets	Price Each	
				1	5
574-CCA13S/90	CCA13S/90	19.00 x 5.25 x 9.00	21	181.65	162.33
574-CCK13S/90	CCK13S/90	19.00 x 5.25 x 9.00	21	178.90	163.50
574-CCM13S/90	CCM13S/90	19.00 x 5.25 x 9.00	16	227.78	191.91
574-CCK13S-H/90	CCK13S-H/90	10.25 x 5.25 x 9.00	11	197.03	180.14
574-CCK13S-HT/90	CCK13S-HT/90	8.12 x 5.25 x 8.12	10	131.93	116.65

CARD GUIDES FOR EIA-BASED SUBRACKS

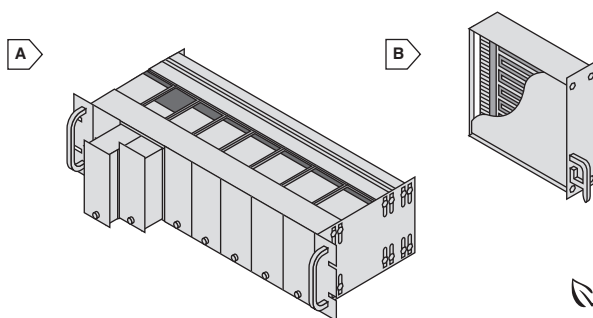
- In packages of 12 PS = Plastic, Screw NSI = Nylon, Snap-In

RoHS Compliant

MOUSER STOCK NO.	Vector Part No.	Type	Length (in.)	Center (in.)	Application	Price Each
574-CG2-65M	CG2-65M	Metal, Screw-In	5.42	1.50	Subrack series 12, 13, 14, 17, 18 & 100 & Vector P series sidewalls	58.00
574-CG2-65P	CG2-65P	Plastic, Screw-in	5.42	4.50		24.64
574-CG2-65S	CG2-65S	Nylon, Snap-in	5.42	4.50		14.04
574-CG2-80P	CG2-80P	Plastic, Screw-in	6.64	6.00	Subrack series 12, 13, 14, 17,	25.06
574-CG2-80S	CG2-80S	Nylon, Snap-in	6.93	7.50		20.64
574-CG2-95M	CG2-95M	Metal, Screw-In	8.14	7.50	18 & 100 and Vector P series sidewall ending in 119 or 156	26.55
574-CG2-95P	CG2-95P	Plastic, Screw-in	8.14	7.50		25.46
574-CG2-95S	CG2-95S	Nylon, Snap-in	8.14	7.50		17.89

CMA13-20/90 MODULE SUBRACK

- EFP Modules not included
- Zinc Riveted Card Guides
- Holds 8 modules



RoHS Compliant

MOUSER STOCK NO.	Vector Part No.	Fig.	Dimensions W x H x D (in.)	Module Size H x W (in.)	Price Each	
					1	5
574-CMA13-20	CMA13-20/90	A	19 x 5.25 x 9.00	4.5 x 7.0	213.89	180.19

EFP MODULES

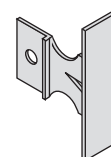
Extended front panels provide thumb screw mounting and flush kit from module to module with strut line.

RoHS Compliant

MOUSER STOCK NO.	Vector Part No.	Fig.	Use with Subrack	Price Each	
				1	5
574-EFP164A66	EFP164A66	B	CMA13	40.53	34.29
574-EFP204A66	EFP204A66	B	CMA13	34.72	30.65

Pull Type Ejector Handle

- Extraction/Insertion Handles
- Plastic (FE4)
- Mounts on front edge of plugboard with single screw or Roll-Pin



RoHS Compliant

MOUSER STOCK NO.	Vector Part No.	Packaging	Price Per Pack	
			1	5
574-HA9-M	HA9/M	Package of 1000	712.39	628.95

© Copyright 2009 Mouser Electronics