

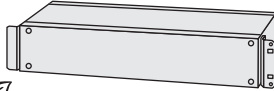
HAMMOND Rack Mount Enclosures and Accessories



HAMMOND RACK MOUNT/DESK TOP ENCLOSURES

Features:

- Mounts on standard 19" rack space or can be used table top
- Aluminum panels can be removed from any of all 6 sides w/only 4 screws
- Shipped knocked down and includes all hardware, rack mount ears and rubber feet
- Front and rear panel are interchangeable (one is Smooth Off White, one is Smooth Black Powder Paint)
- Finished in Textured Black Powder Paint



For quantities of 5 and up, call for quote.

MOUSER STOCK NO.	Hammond Part No.	Dimensions: in.			Price Each	
		H	W	D	1	2
Solid						
546-RMCS19018BK1	RMCS19018BK1	1.75	17.00	8.00	62.32	58.28
546-RMCS190113BK1	RMCS190113BK1	1.75	17.00	13.00	73.32	68.57
546-RMCS19038BK1	RMCS19038BK1	3.50	17.00	8.00	69.66	65.13
546-RMCS19013BK1	RMCS19013BK1	3.50	17.00	13.00	87.99	82.27
546-RMCS190513BK1	RMCS190513BK1	5.25	17.00	13.00	100.81	94.27
546-RMCS190713BK1	RMCS190713BK1	7.00	17.00	13.00	115.47	107.98
546-RMCS190813BK1	RMCS190813BK1	8.75	17.00	13.00	139.31	130.26
546-RMCS191013BK1	RMCS191013BK1	10.50	17.00	13.00	153.97	143.98
546-RMCS191015BK1	RMCS191015BK1	10.50	17.00	15.00	152.14	142.27
Vented						
546-RMVC19018BK1	RMVC19018BK1	1.75	17.00	8.00	68.55	64.10
546-RMVC190113BK1	RMVC190113BK1	1.75	17.00	13.00	80.64	75.42
546-RMVC19038BK1	RMVC19038BK1	3.50	17.00	8.00	82.91	79.72
546-RMVC19013BK1	RMVC19013BK1	3.50	17.00	13.00	96.77	90.49
546-RMVC190513BK1	RMVC190513BK1	5.25	17.00	13.00	110.91	103.70
546-RMVC190713BK1	RMVC190713BK1	7.00	17.00	13.00	127.03	118.78
546-RMVC190813BK1	RMVC190813BK1	8.75	17.00	13.00	153.25	143.29
546-RMVC191013BK1	RMVC191013BK1	10.50	17.00	13.00	169.37	158.37
546-RMVC191015BK1	RMVC191015BK1	10.50	17.00	15.00	167.35	156.48
Half Width - Solid						
546-RMCS9018BK1	RMCS9018BK1	1.75	8.50	8.00	53.16	49.70
546-RMCS9038BK1	RMCS9038BK1	3.50	8.50	8.00	60.49	56.56
546-RMCS9058BK1	RMCS9058BK1	5.25	8.50	8.00	65.99	61.70
Half Width - Vented						
546-RMVC9018BK1	RMVC9018BK1	1.75	8.50	8.00	58.48	54.68
546-RMVC9038BK1	RMVC9038BK1	3.50	8.50	8.00	66.55	62.21
546-RMVC9058BK1	RMVC9058BK1	5.25	8.50	8.00	72.59	67.88

HAMMOND CHASSIS PANELS



For quantities of 5 and up, call for quote.

MOUSER STOCK NO.	Hammond Part No.	Use With Enclosure		Price Each	
		W: in.	D: in.	1	2
546-RMP908	RMP908	8.5	8	14.58	13.62
546-RMP1908	RMP1908	17	8	21.81	20.40
546-RMP1913	RMP1913	17	13	25.29	23.65
546-RMP1915	RMP1915	17	15	27.76	25.95

HAMMOND CASTERS

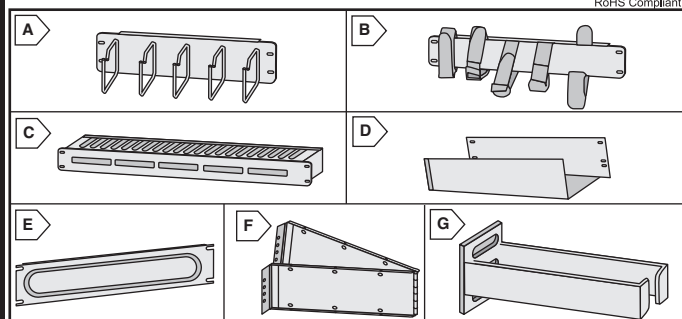
Mounting hardware included.

For quantities of 5 and up, call for quote.

MOUSER STOCK NO.	Hammond Part No.	Type	Weight Cap (Lbs.)	Price Per 4	
				1	2
546-1425B	1425B	Light Duty	360	57.14	48.35
546-1425BM	1425BM	Med. Duty	700	69.81	59.07
546-1425BH	1425BH	Heavy Duty	1050	130.35	110.30



HAMMOND CABLE ORGANIZING

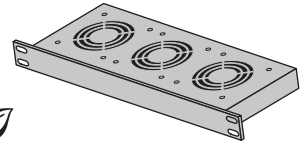


For quantities of 5 and up, call for quote.

MOUSER STOCK NO.	Hammond Part No.	Fig.	Description	Price Each	
				1	2
546-PCMB19001BK1	PCMB19001BK1	A	Ring Panel, 1.75" H	34.97	33.50
546-PCMB19003BK1	PCMB19003BK1	A	Ring Panel, 3.5" H	38.65	37.03
546-PCMBV19001BK1	PCMBV19001BK1	B	Velcro Strap Panel	20.25	19.40
546-PCMDS19001BK1	PCMDS19001BK1	C	Metal Finger Panel, 1.75" H	67.19	64.37
546-PCMDS19003BK1	PCMDS19003BK1	C	Metal Finger Panel, 3.5" H	77.77	74.51
546-PCMDS19005BK1	PCMDS19005BK1	C	Metal Finger Panel, 5.25" H	130.68	125.20
546-PCMT19003BK1	PCMT19003BK1	D	Cable Trough	30.47	29.19
546-CGUIDE	CGUIDE	E	Hinged Cable Guide	79.53	67.29
546-DNCE19BK1	DNCE19BK1	F	Cable Access Panel, Gray/Beige	36.67	35.26
546-DNCE19CG1	DNCE19CG1	F	Cable Access Panel, Black	36.67	35.26
546-CMRBK1	CMRBK1	G	Single Cable Ring	5.79	5.55

HAMMOND FAN TRAY ASSEMBLIES

Fan trays can be positioned at the bottom of a rack to force air through the cabinet, at the top to exhaust air out or below specific pieces of equipment for spot cooling 115VAC 50/60 Hz., thermally protected, ball bearing fans. Circuit breaker protected.



For quantities of 5 and up, call for quote.

MOUSER STOCK NO.	Hammond Part No.	Number of Fans	CFM	Amps	Watts	Price Each	
						1	2
546-FT300TA1BK	FT300TA1BK	3	300	0.5	40	195.48	164.55
546-FT600TA1BK	FT600TA1BK	6	600	1	80	296.36	250.76
546-FT900TA1BK	FT900TA1BK	9	900	1.5	120	420.01	355.39

Tray Assemblies With Lighted On/Off Switch

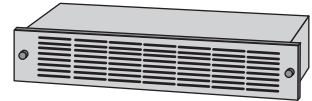
For quantities of 5 and up, call for quote.

MOUSER STOCK NO.	Hammond Part No.	Number of Fans	CFM	Amps	Watts	Price Each	
						1	2
546-FT300HA1BK	FT300HA1BK	3	300	0.5	40	200.00	169.23
546-FT600HA1BK	FT600HA1BK	6	600	1	80	300.00	253.84
546-FT900HA1BK	FT900HA1BK	9	900	1.5	120	423.64	359.02

HAMMOND BLOWERS

Features:

- Each unit contains a quadruplex centrifugal blower, powered by a single precision ball-bearing motor.
- Heavy steel construction
- 115 VAC, 50/60 Hz. motor is UL listed
- CSA Certified, ball bearing type, cooled by incoming air



RoHS Compliant

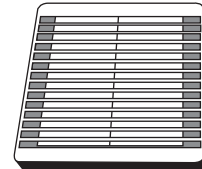
For quantities of 5 and up, call for quote.

MOUSER STOCK NO.	Hammond Part No.	CFM	RPM Nom.	Units	Price Each	
					1	2
546-HB2160A	HB2160A	140	2750	2	386.43	326.98
546-HB3250A	HB3250A	250	3150	3	403.74	341.62
546-HB4500A	HB4500A	470	3250	4	454.54	384.61

HAMMOND FILTER FAN GRILLS

Features:

- Create your own filter fans or exhaust grills.
- Complete with flame retardant ABS plastic grill and flame retardant synthetic filter.
- Mounts easily with 4 screws using template and hardware provided.
- Integral gasket on reverse side of grill, seals against mounting surface.



RoHS Compliant

For quantities of 25 and up, call for quote.

MOUSER STOCK NO.	Hammond Part No.	Color	Grill Size (in.)		Use with Square Fan Size (in.)	Price Each	
			H	W		1	10
546-XPFA80BK	XPFA80BK	Black	4.13	4.13	3.15	7.00	6.73
546-XPFA80CG	XPFA80CG	Gray/Beige	4.13	4.13	3.15	7.00	6.73
546-XPFA80GY	XPFA80GY	ASA 61 Gray	4.13	4.13	3.15	7.00	6.73
546-XPFA120BK	XPFA120BK	Black	5.91	5.91	4.70	10.64	10.23
546-XPFA120CG	XPFA120CG	Gray/Beige	5.91	5.91	4.70	10.64	10.23
546-XPFA120GY	XPFA120GY	ASA 61 Gray	5.91	5.91	4.70	10.64	10.23
Replacement Filters							
546-PFF1000	PFF1000	-	-	-	3.15	8.66	7.15
546-PFF2000	PFF2000	-	-	-	4.70	11.50	9.22

HAMMOND THERMOSTAT

Features:

- Normally open thermostat for control of blowers or fans
- Adjustable range: 30°F-140°F
- Switching difference (hysteresis): +/- 4°F
- Compact size: 2.4" H x 1.3" W x 1.4" D
- Easily installed by clip mounting to DIN rail (included)
- 2 pole terminal for AWG 14 wire
- Switching capacity of 15A (120VAC) or 10A (240VAC)
- Sensor is thermostatic bi-metal, housed in Gray Flame Retardant Plastic (UL94V0)
- UL Recognized, C UL Component Recognized, and CE



RoHS Compliant

For quantities greater than 10, call for quote.

MOUSER STOCK NO.	Hammond Part No.	Contact Type	Dimensions: in.			Price Each			
			H	W	D	1	2	5	10
546-SKT011419NO	SKT011419NO	Normally Open	2.40	1.30	1.40	33.55	28.38	26.36	24.51