

VISHAY Optocouplers

RoHS Compliant This product is RoHS compliant.

VISHAY

◆ Surface Mount Device

Opto Components

Vishay Semiconductors

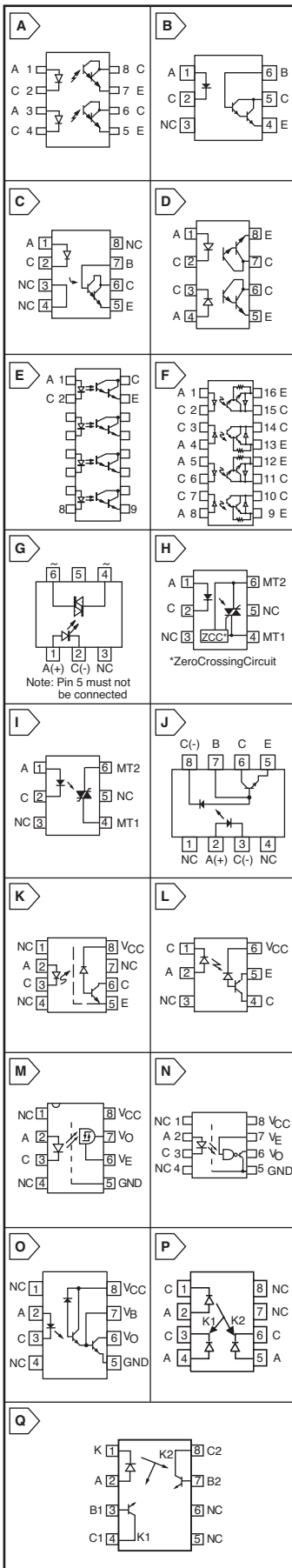


PHOTO DARLINGTON OUTPUT

Safety Standards:

- UL = UL Recognized (UL File No: E76222)
- UL/VDE = UL Recognized (E76222) & VDE Recognized
- UL/BSI/VDE = UL Recognized (E76222), BSI & VDE Recognized

MOUSER STOCK NO.		Fig.	Package	Safety Standard	IF (mA)	BVCEO (V)	BVECO (V)	Rise and Fall Times Typ. (µs)	Isolation Voltage (VRMS)	Current Transfer Ratio (Min./Typ./Max.) (%)	Price Each			
Mfr.	Mfr. Part Number										1	100	500	1000
◆	782—ILD223T	A	SOIC-8	UL	30	30	5.0	----/---	4.0kV	500/----/---	1.17	.97	.81	.71
	78—4N32	B	DIP-6	UL	60	30	5.0	5.0/100 Max.	5.3kV	500/----/---	.30	.25	.21	.187
	78—4N33	C	DIP-6	UL	60	30	5.0	5.0/100 Max.	5.3kV	500/----/---	.21	.17	.138	.13
◆	782—IL223AT	A	SOIC-8	UL	60	30	5.0	----/---	3.0kV	500/----/---	.65	.55	.46	.40
	782—H11B1	B	DIP-6	UL	60	30	7.0	5.0/30	5.3kV	500/----/---	.75	.63	.52	.46
	782—H11B2	B	DIP-6	UL	60	30	7.0	5.0/30	5.3kV	200/----/---	.77	.61	.51	.45
	782—H11B3	B	DIP-6	UL	60	30	7.0	5.0/30	5.3kV	100/----/---	.54	.52	.50	.44
	782—ILD32	D	DIP-8	UL	60	30	----	15/30	5.3kV	500/----/---	1.66	1.39	1.15	.903
◆	782—TCMD4000	E	SOP-16	UL	60	35	7.0	300/250	3.75kV	600/800/---	1.58	1.32	.886	.86
	782—MCA231	B	DIP-6	UL	60	30	7.0	10/35	5.3kV	200/----/---	.65	.55	.46	.40
									BVCBO (V)					
	782—ILQ66-4	F	DIP-16	UL	60	60	60.0	200/200	5.3kV	500/----/---	3.11	2.32	1.85	1.76

TRIAC DRIVER OUTPUT

For quantities of 2000 and up, call for quote.

MOUSER STOCK NO.		Fig.	Package	Safety Standard	dv/dt V/µs	VDRM (V)(Min.)	IF (mA)	Peak On-State Voltage (VRMS)	Isolation Voltage (VRMS)	Emitter Diode Trigger Current (mA/Typ./Max.) (%)	Price Each			
Mfr.	Mfr. Part Number										1	100	500	1000
	78—K3010P	G	DIP-6	UL/VDE	10	250	80.0	3.0	3.75kV	8.0/15.0	.50	.41	.346	.306
	78—K3011P	G	DIP-6	UL/VDE	10	250	80.0	3.0	3.75kV	5.0/10.0	.51	.43	.35	.317
	78—K3012P	G	DIP-6	UL/VDE	10	250	80.0	3.0	3.75kV	2.0/5.0	.53	.44	.37	.328
	78—K3020P	G	DIP-6	UL/VDE	10	400	80.0	3.0	3.75kV	15.0/30.0	.50	.41	.346	.306
	78—K3021P	G	DIP-6	UL/VDE	10	400	80.0	3.0	3.75kV	8.0/15.0	.42	.34	.28	.249
	78—K3022P	G	DIP-6	UL/VDE	10	400	80.0	3.0	3.75kV	5.0/10.0	.53	.44	.37	.328
	78—K3023P	G	DIP-6	UL/VDE	10	400	80.0	3.0	3.75kV	2.0/5.0	.42	.34	.277	.248

PHOTO TRIAC OUTPUT (ZERO CROSSING)

For quantities of 2000 and up, call for quote.

MOUSER STOCK NO.		Fig.	Package	Safety Standard	dv/dt V/µs	VDRM (V)(Max.)	IF (mA)	Reverse Voltage (Max.)(V)	Isolation Voltage (VRMS)	Trigger Current (mA/Typ./Max.) (%)	Price Each			
Mfr.	Mfr. Part Number										1	100	500	1000
	782—VO3062	H	DIP-6	UL/BSI/CUL	2000	600	60.0	6.0	5.3kV	----/10	.70	.56	.464	.403
	782—IL410	H	DIP-6	UL/BSI/CSA	10000	600	60.0	6.0	5.3kV	----/2.0	2.75	2.05	1.64	1.56
	782—IL420	I	DIP-6	UL/BSI/CSA	10000	600	60.0	6.0	5.3kV	1.0/2.0	2.75	2.05	1.64	1.56
	782—IL4208	I	DIP-6	UL/BSI/CSA	10000	800	60.0	6.0	5.3kV	1.0/2.0	2.99	2.23	1.78	1.69
	782—IL4218	I	DIP-6	UL/BSI/CSA	10000	800	60.0	6.0	5.3kV	0.7/1.3	3.79	2.82	2.25	2.14
	782—IL410	H	DIP-6	UL/BSI/CSA	10000	600	60.0	6.0	5.3kV	----/2.0	2.75	2.05	1.64	1.56
	782—IL420	I	DIP-6	UL/BSI/CSA	10000	600	60.0	6.0	5.3kV	1.0/2.0	2.75	2.05	1.64	1.56
	782—IL4208	I	DIP-6	UL/BSI/CSA	10000	800	60.0	6.0	5.3kV	1.0/2.0	2.99	2.23	1.78	1.69
	782—IL4218	I	DIP-6	UL/BSI/CSA	10000	800	60.0	6.0	5.3kV	0.7/1.3	3.79	2.82	2.25	2.14

PHOTO TRIAC OUTPUT (NON-ZERO CROSSING)

For quantities of 2000 and up, call for quote.

MOUSER STOCK NO.		Fig.	Package	Safety Standard	dv/dt V/µs	VDRM (V)(Max.)	IF (mA)	Reverse Voltage (Max.)(V)	Isolation Voltage (VRMS)	Trigger Current (mA/Typ./Max.) (%)	Price Each			
Mfr.	Mfr. Part Number										1	100	500	1000
	782—VO3052	I	DIP-6	UL/BSI/CUL	2000	500	60.0	6.0	5.3kV	----/10	.60	.48	.397	.345

HIGH SPEED PHOTO TRANSISTOR OUTPUT

For quantities of 2000 and up, call for quote.

MOUSER STOCK NO.		Fig.	Package	Safety Standard	IF (mA)	Max. Supply Volt. (V)	Data Rate Typ. (bit/s)	Delay Time tPHL/tPLH (Typ.)(µs)	Isolation Voltage (VRMS)	Current Transfer Ratio (Min./Typ./Max.) (%)	Price Each			
Mfr.	Mfr. Part Number										1	100	500	1000
	782—6N135	J	DIP-8	UL/CSA	25	15	1.0M	0.3/0.3	5.3kV	7.0/16/---	.87	.73	.61	.53
	782—6N136	J	DIP-8	UL/CSA	25	15	1.0M	0.2/0.2	5.3kV	19/35/---	.75	.60	.492	.434
	782—SFH6136	J	DIP-8	UL/CSA	25	30	1.0M	0.3/0.3	5.3kV	19/35/---	.90	.75	.62	.492
◆	782—SFH6316T	J	SOIC-8	UL/CSA	25	30	1.0M	0.25/0.50	4.0kV	19/35/50	1.27	1.06	.88	.77
◆	782—SFH6343T	K	SOIC-8	UL/CSA	25	30	1.0M	0.25/0.50	4.0kV	15/36/---	1.41	1.18	.98	.859
	782—SFH6345	K	DIP-8	UL	25	30	1.0M	0.3/0.3	5.3kV	19/30/---	1.34	1.12	.843	.758
	782—SFH636	L	DIP-6	UL	25	30	1.0M	0.3/0.3	5.3kV	19/30/---	2.07	1.74	1.43	1.13
	782—SFH6700	M	DIP-8	UL	10	15	5.0M	0.115/0.125	5.3kV	---/---/---	1.37	1.14	.94	.744
◆	782—SFH6720T	M	SOIC-8	UL	19	15	5.0M	0.125/0.125	3.0kV	---/---/---	1.58	1.33	1.10	.96
	782—6N137	N	DIP-8	UL	20	7.0	10.0M	0.05/0.048	5.3kV	---/---/---	.74	.59	.449	.404

LOW INPUT CURRENT, HIGH SPEED PHOTO DARLINGTON OUTPUT

For quantities of 2000 and up, call for quote.

MOUSER STOCK NO.		Fig.	Package	Safety Standard	IF (mA)	Max. Supply Volt. (V)	Input Current (mA)	Delay Time tPHL/tPLH (µs)	Isolation Voltage (VRMS)	Current Transfer Ratio (Min./Typ./Max.) (%)	Price Each			
Mfr.	Mfr. Part Number										1	100	500	1000
	782—6N138	O	DIP-8	UL	25	7	0.5	2.0/2.0	5.3kV	300/1600/---	.97	.81	.67	.59
	782—6N139	O	DIP-8	UL	25	18	0.5	6.0/4.0	5.3kV	400/1600/---	1.07	.89	.74	.65

LINEAR OPTOCOUPLEDERS

For quantities of 2000 and up, call for quote.

MOUSER STOCK NO.		Fig.	Package	Safety Standard	IF (mA)	Input Power Dissipation	Frequency Response (kHz)	Transfer Gain Linearity (ΔK)(%)	Isolation Voltage (VRMS)	Input-Ouput Capacitance @ 1.0 MHz (pF)	Price Each			
Mfr.	Mfr. Part Number										1	100	500	1000
	782—IL300	P	DIP-8	UL	60	160mW	200	0.557 to 1.618	5.3kV	1	3.17	2.63	2.06	2.01
	782—IL300-DEFG	P	DIP-8	UL	60	160mW	200	0.765 to 1.181	5.3kV	1	3.27	2.71	2.13	2.08
	782—IL300-E	P	DIP-8	UL	60	160mW	200	0.851 to 0.955	5.3kV	1	8.68	7.19	5.63	5.51
	782—IL300-EF	P	DIP-8	UL	60	160mW	200	0.851 to 1.061	5.3kV	1	5.07	4.20	3.29	3.22
	782—IL300-F	P	DIP-8	UL	60	160mW	200	0.945 to 1.061	5.3kV	1	8.68	7.19	5.63	5.51
◆	782—IL388	Q	SOIC-8	-----	30	150mW	1000	0.690 to 1.311	2.13kV	1	3.52	2.92	2.29	2.23