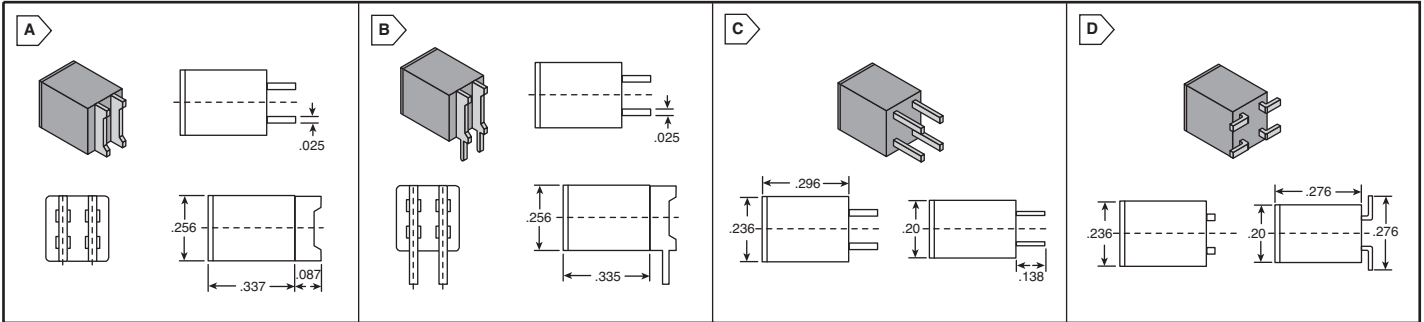


# Tilt and Rolling-Ball Tilt Sensor Switches

## OncQue® TILT SENSOR SWITCHES

RoHS Compliant This product is RoHS compliant.

DIMENSIONS: in.



### Contact Tilt Type

#### Electrical Specifications:

- Contact Rating: 25mA/24VDC
- Contact Resistance: (Initial) 5Ω max. (After Life Test) 10Ω
- Dielectric Strength: 500VDC 1 minute

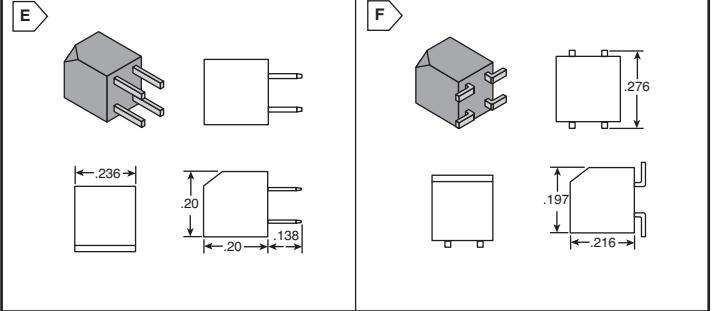
#### Mechanical Specifications:

- Operating Temperature: -25°C to +85°C
- Storage Temperature: -40°C to +85°C
- Operation Life: 100,000 cycles
- Pull Force of Terminal: 500gf for 1 min.



For quantities of 1000 and up, call for quote.

MOUSER STOCK NO.	OncQue Part No.	Fig.	Differential Angle	Switching Type	Price Each			
					1	50	100	500
108-07050T	RBS070500T	A	45° ± 15°	NC	1.57	1.31	1.19	1.08
108-07060	RBS070600	B	45° ± 15°	NC	1.57	1.31	1.19	1.08
108-15110	RBS151100	C	15° ± 10°	NO	1.68	1.40	1.28	1.16
108-15210T	RBS152100T	D	15° ± 10°	NO	2.13	1.77	1.61	1.47
108-17010	RBS170100	E	15° + 15° -10°	NO	1.57	1.31	1.19	1.08
108-17020T	RBS170200T	F	15° + 15° -10°	NO	1.57	1.31	1.19	1.08



## OncQue® TILT SENSOR SWITCHES

DIMENSIONS: in.

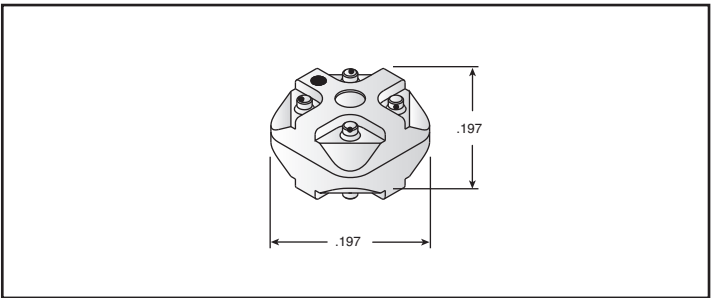
#### Electrical Specifications:

- Contact Rating: 25mA/24VDC
- Contact Resistance: (Initial) 5Ω max. (After Life Test) 10Ω max.
- Dielectric Strength: 100VDC 1 minute
- Insulation Resistance: 10MΩ min.



For quantities of 1000 and up, call for quote.

MOUSER STOCK NO.	OncQue Part No.	Differential Angle	Price Each			
			1	50	100	500
108-10030T	RBS100300T	20° + 20° -10°	2.11	1.76	1.60	1.45
108-12010T	RBS120100T	45°±15°	2.59	2.16	1.97	1.79



Tilt Sensors

## Mountain Switch ROLLING-BALL TILT SENSOR SWITCHES

DIMENSIONS: in.

#### Electrical Specifications:

- Rating: <6mA/24VDC
- Differential Angle: 30° max.
- Electrical Life: >50,000 cycles
- Contact Resistance: 2Ω max. (measured at 45° tilt)

#### Mechanical Specifications:

- Differential Angle: 30° max.
- Operating Temperature: 0°--100°C
- Soldering Process: Temperature: 250°C for 3 seconds (Soldered by hand only)



For quantities of 1000 and up, call for quote.

MOUSER STOCK NO.	Fig.	Lead (In.)		Body (In.)		Price Each			
		øA	B	øC	D	1	50	100	500
107-2002-EV	A	.035	.39	.157	.43	1.18	.98	.89	.81
107-2003-EV	A	.015	.59	.157	.43	1.51	1.26	1.14	1.04
107-2004-EV	A	.035	.39	.204	.55	1.51	1.26	1.14	1.04
107-2005-EV	B	.035	.39	.204	.55	1.51	1.26	1.14	1.04
107-2006-EV	B	.035	.39	.157	.43	1.51	1.26	1.14	1.04
107-2001-EV	C	.015	.59	.204	.55	1.51	1.26	1.14	1.04
107-2008-EV	C	.015	.59	.157	.43	1.51	1.26	1.14	1.04
107-2007-EV	C	.015	.59	.157	.275	1.82	1.52	1.38	1.25
107-2009-EV	C	.015	.59	.157	.43	1.82	1.52	1.38	1.25
107-2010-EV	D	---	---	---	---	2.72	2.26	2.06	1.87

