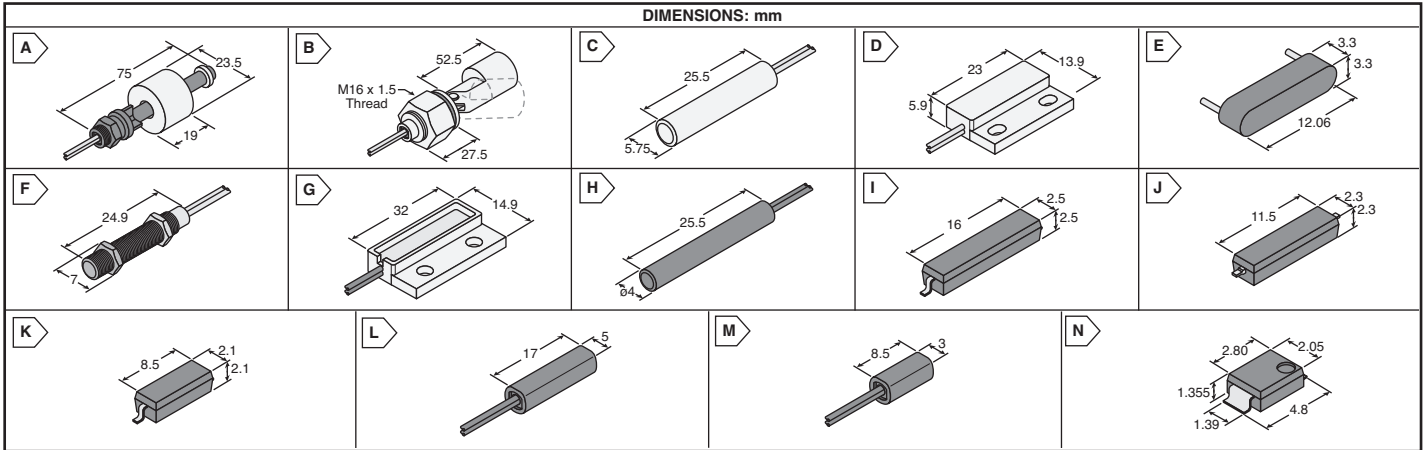


MEDER Liquid Level and Reed Sensors



MEDER LS SERIES LIQUID LEVEL SENSORS

Specifications:

- Switching power: 10W max.
- Switching voltage: 200VDC or peak AC max.
- Switching current: .05A DC or peak AC max.
- Contact Form: 1 Form A
- Materials: Shaft, nut, and float: polyamide black
- Seal: nitrile rubber



RoHS Compliant

For quantities of 50 and up, call for quote.

MOUSER STOCK NO.	Meder Part No.	Fig.	Cable Length Includes:	Price Each	
				1	25
876-LS02-1A71-PA500W	LS02-1A71-PA-500W	A	30mm of separated wire with 5mm of wire stripped and tinned	9.80	9.31
876-LS03-1A71-PA500W	LS03-1A71-PA-500W	B	30mm of separated wire with 5mm of wire stripped and tinned	10.90	10.36

MEDER MK SERIES - REED SENSORS

For quantities of 50 and up, call for quote.

RoHS Compliant

MOUSER STOCK NO.	Meder Part No.	Fig.	Contact Form	Switching Power (max.)	Switching Voltage (max.)	Switching Current (max.)	Carry Current (max.)	Operate Time (incl. bounce) (max.)	Must Operate/Release (max.)	Magnetic Sensitivity Pull in Range (mm)	Price Each	
											1	25
MK3 - Cylindrical												
876-MK3-1A66B-500W	MK3-1A66B-500W	D	Form A	10 W	200 V	0.5 A	1.25 A	0.5 ms	30 / 27 AT	10-15	3.76	3.57
876-MK3-1B90C-500W	MK3-1B90C-500W	D	Form B	3 W	175 V	0.25 A	1.2 A	0.7 ms	35 / 30 AT	15-20	7.30	6.93
MK4 - Screw Fastening												
876-MK4-1A66B-500W	MK4-1A66B-500W	E	Form A	10 W	200 V	0.5 A	1.25 A	0.5 ms	30 / 27 AT	10-15	4.16	3.95
876-MK4-1B90C-500W	MK4-1B90C-500W	E	Form B	3 W	175 V	.025 A	1.2 A	0.7 ms	35 / 30 AT	15-20	6.60	6.27
876-MK4-1C90C-500W	MK4-1C90C-500W	E	Form C	3 W	175 V	.025 A	1.2 A	0.7 ms	35 / 30 AT	15-20	8.80	8.35
MK6 - PCB Mount												
*876-MK6-10-E	MK6-10-E	F	Form E	10 W	200 V	0.5 A	1.25 A	0.5 ms	30 / 27 AT	25-30	8.45	8.19
876-MK6-4-B	MK6-4-B	F	Form A	10 W	170 V	0.5 A	0.5 A	0.6 ms	30 / 27 AT	10-15	2.48	2.36
876-MK6-6-B	MK6-6-B	F	Form A	10 W	200 V	0.5 A	1.25 A	0.5 ms	30 / 27 AT	10-15	1.52	1.45
876-MK6-7-B	MK6-7-B	F	Form A	10 W	200 V	0.5 A	1.25 A	0.5 ms	30 / 27 AT	10-15	1.44	1.37
MK11 - Screw Thread Enclosure												
876-MK11-1A66B-500W	MK11-1A66B-500W	G	Form A	10 W	200 V	0.5 A	1.25 A	0.5 ms	30 / 27 AT	10-15	9.35	8.88
MK12 - Screw Fastening Holes												
876-MK12-1A66B-500W	MK12-1A66B-500W	H	Form A	10 W	200 V	0.5 A	1.25 A	0.5 ms	30 / 27 AT	10-15	5.86	5.57
MK14 - Cylindrical												
876-MK14-1A66B-200W	MK14-1A66B-200W	I	Form A	10 W	200 V	0.5 A	1.25 A	0.5 ms	30 / 27 AT	10-15	5.65	5.36
MK15 - Surface Mount												
876-MK15-B-2	MK15-B-2	J	Form A	10 W	200 V	0.5 A	1.25 A	0.5 ms	30 / 27 AT	10-15	1.14	1.08
876-MK15-C-2	MK15-C-2	J	Form A	10 W	200 V	0.5 A	1.25 A	0.5 ms	30 / 27 AT	15-20	1.14	1.08
MK16 - Surface Mount												
876-MK16-B-2	MK16-B-2	K	Form A	10 W	200 V	0.5 A	0.5 A	0.6 ms	20 / 18 AT	10-15	1.35	1.28
876-MK16-C-2	MK16-C-2	K	Form A	10 W	200 V	0.5 A	0.5 A	0.6 ms	20 / 18 AT	15-20	1.35	1.28
MK17 - Surface Mount												
**876-MK17-B-2	MK17-B-2	L	Form A	10 W	170 V	0.5 A	0.5 A	0.6 ms	20 / 18 AT	10-15	1.76	1.68
†876-MK17-B-3	MK17-B-3	L	Form A	10 W	170 V	0.5 A	0.5 A	0.6 ms	20 / 18 AT	10-15	2.09	1.98
MK18 - Cylindrical												
876-MK18-B-100W	MK18-B-100W	M	Form A	10 W	200 V	0.5 A	0.5 A	0.6 ms	25 / 22 AT	10-15	6.12	5.81
876-MK18-C-100W	MK18-C-100W	M	Form A	10 W	200 V	0.5 A	0.5 A	0.6 ms	25 / 22 AT	15-20	6.12	5.81
MK20 - Cylindrical												
876-MK20-B-100W	MK20-B-100W	N	Form A	5 W	175 V	0.25 A	0.5 A	0.4 ms	25 / 22 AT	10-15	6.45	6.13

* Latching sensor opened or closed by passing magnet and remains in that state until a magnet of opposite polarity or direction passes by again ** Flat, bent SMD leads † J-leads

MEDER SMT MICRO MACHINED REED SENSORS

For quantities of 50 and up, call for quote.

MOUSER STOCK NO.	Meder Part No.	Fig.	Contact Form	Switching Power (max.)	Switching Voltage (max.)	Switching Current (max.)	Carry Current (max.)	Operate Time (incl. bounce) (max.)	Magnetic Sensitivity Pull in Range (mm)	Price Each	
										1	25
876-MMS-B-2	MMS-B-2	O	Form A	0.3 W	3.0 V	100 A	100 A	1.0 ms	10-15	13.79	13.10