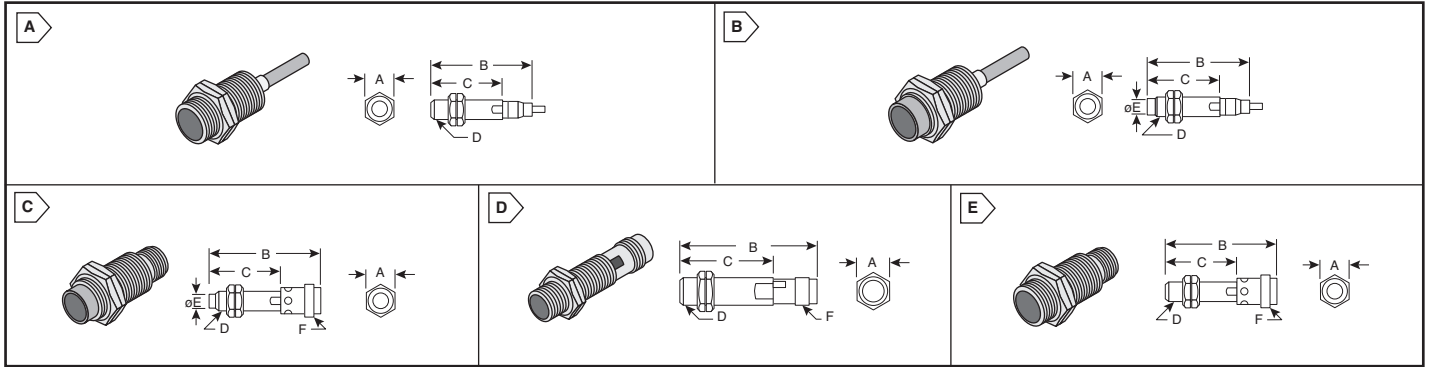


OMRON Proximity Sensors



RoHS Compliant This product is RoHS compliant.



OMRON E2A SERIES: EXTENDED RANGED DC 3-WIRE PROXIMITY SENSORS

(For connectors see Phoenix Contact M8/M12 Connectors page.)



Specifications:

- Operation with sensing object approaching: NO
- Supply voltage: 12-24 VDC
- Sensing object: Ferrous metal (Sensing distance decreases with non-ferrous metal)
- Differential travel (Hysteresis) : 10% max. of sensing distance
- Indicators: Operation indicator (yellow LED)
- Pre-wired versions have 2 meters of 3-conductor cable (6.56 ft.)

Features:

- Ensures a sensing distance 1.5-2 times longer than standard proximity sensors
- Minimizes collisions
- Reduces the cost and frequency of proximity sensor replacement due to mechanical damage to the sensing face



Prewired, Shielded

For quantities of 20 and up, call for quote.

MOUSER STOCK NO.	Omron Part No.	Fig.	Dimensions: mm						Size	Output	Thread Length	Sensing Distance	Price Each			
			A	B	C	D	E	F					1	5	10	
Nickel Plated Brass																
653-E2AM12KS04WPB1	E2A-M12KS04-WP-B1-2M	A	17	50.3	34	M12x1	-	-	M12	PNP	34 mm	4 mm	64.01	56.21	53.99	
653-E2A-M12KS04-WP	E2A-M12KS04-WP-C1 2M	A	17	50.3	34	M12x1	-	-	M12	NPN	34 mm	4 mm	71.33	64.39	61.82	
653-E2AM18KS08WPB1	E2A-M18KS08-WP-B1-2M	A	24	59.5	39	M18x1	-	-	M18	PNP	39 mm	8 mm	69.15	61.21	57.48	
653-E2AM18KS08WPC12M	E2A-M18KS08-WP-C1 2M	A	24	59.5	39	M12x1	-	-	M18	NPN	39 mm	8 mm	69.15	61.21	57.48	
Stainless Steel																
653-E2AS08KS02WPB1	E2A-S08KS02-WP-B1-2M	A	13	40	27	M8x1	-	-	M8	PNP	27 mm	2 mm	64.80	61.63	59.87	
653-E2AS08KS02WPC1	E2A-S08KS02-WP-C1-2M	A	13	40	27	M8x1	-	-	M8	NPN	27 mm	2 mm	64.80	57.99	55.59	
653-E2AS08LS02WPB1	E2A-S08LS02-WP-B1-2M	A	13	62	49	M8x1	-	-	M8	PNP	49 mm	2 mm	74.18	65.84	63.32	
653-E2AS08LS02WPC1	E2A-S08LS02-WP-C1-2M	A	13	62	49	M8x1	-	-	M8	NPN	49 mm	2 mm	71.86	65.84	63.52	

Prewired, Unshielded

For quantities of 20 and up, call for quote.

MOUSER STOCK NO.	Omron Part No.	Fig.	Dimensions: mm						Size	Output	Thread Length	Sensing Distance	Price Each			
			A	B	C	D	E	F					1	5	10	
Nickel Plated Brass																
653-E2AM12KN08WPC12M	E2A-M12KN08-WP-C1 2M	B	17	50.3	34	M12x1	9.2	-	M12	NPN	34 mm	8 mm	71.33	65.84	62.59	
653-E2AM18KN16WPC12M	E2A-M18KN16-WP-C1 2M	B	24	59.5	39	M18x1	15.1	-	M18	NPN	39 mm	16 mm	76.52	70.64	67.15	
Stainless Steel																
653-E2AS08KN04WPB1	E2A-S08KN04-WP-B1-2M	B	13	40	27	M8x1	5.8	-	M8	PNP	27 mm	4 mm	71.86	65.84	63.52	
653-E2AS08KN04WPC12M	E2A-S08KN04-WP-C1 2M	B	13	40	27	M8x1	5.8	-	M8	NPN	27 mm	4 mm	71.33	65.84	62.59	

M8 Connector, Shielded, Stainless Steel

For quantities of 20 and up, call for quote.

MOUSER STOCK NO.	Omron Part No.	Fig.	Dimensions: mm						Size	Output	Thread Length	Sensing Distance	Price Each		
			A	B	C	D	E	F					1	5	10
653-E2AM08KN04M1B1	E2A-M08KN04-M1-B1	C	13	43	27	M8x1	-	-	M8	PNP	27 mm	4 mm	71.86	68.62	65.84
653-E2AS08KS02M5C1	E2A-S08KS02-M5-C1	D	13	43	27	M8x1	-	M12x1	M8	NPN	27 mm	2 mm	73.92	68.24	64.86

M12 Connector, Shielded

For quantities of 20 and up, call for quote.

MOUSER STOCK NO.	Omron Part No.	Fig.	Dimensions: mm						Size	Output	Thread Length	Sensing Distance	Price Each			
			A	B	C	D	E	F					1	5	10	
Nickel Plated Brass																
653-E2AM08KS02M1B1	E2A-M08KS02-M1-B1	E	13	43	27	M8x1	-	M8x1	M8	PNP	27 mm	2 mm	71.86	65.84	63.52	
653-E2AM12LS04M1B1	E2A-M12LS04-M1-B1	E	17	70	56	M12x1	-	-	M12x1	PNP	56 mm	4 mm	74.48	71.10	68.22	
653-E2AM12LS04M1C1	E2A-M12LS04-M1-C1	E	17	70	56	M12x1	-	M12x1	M12	NPN	56 mm	4 mm	73.92	68.24	64.86	
653-E2AM12LS04WPC12M	E2A-M12LS04-WP-C1 2M	E	17	72.3	56	M12x1	-	-	M12	NPN	56 mm	4 mm	71.33	62.59	60.27	
653-E2AM12KS04M1B1	E2A-M12KS04-M1-B1	E	17	48	34	M12x1	-	M12x1	M12	PNP	34 mm	4 mm	72.74	67.21	64.05	
653-E2AM12KS04M1B2	E2A-M12KS04-M1-B2	E	17	48	34	M12x1	-	M12x1	M12	PNP	34 mm	4 mm	73.92	68.24	64.86	
653-E2AM12LS04M1B2	E2A-M12LS04-M1-B2	E	17	70	56	M12x1	-	M12x1	M12	PNP	56 mm	4 mm	73.92	68.24	64.86	
653-E2AM18KS08M1B1	E2A-M18KS08-M1-B1	E	24	53	39	M18x1	-	M12x1	M18	PNP	39 mm	8 mm	95.03	86.21	85.08	
653-E2AM30KS15M1C1	E2A-M30KS15-M1-C1	E	36	58	44	M30x1.5	-	M12x1	M30	NPN	44 mm	15 mm	88.19	81.39	77.39	
653-E2AM30KS15M1B1	E2A-M30KS15-M1-B1	E	36	58	44	M30x1.5	-	M12x1	M30	PNP	44 mm	15 mm	94.15	81.39	78.52	
Stainless Steel																
653-E2AS08KS02M1C1	E2A-S08KS02-M1-C1	E	13	43	27	M8x1	-	M12x1	M8	NPN	27 mm	2 mm	73.92	68.24	64.86	
653-E2AS08KS02M1B1	E2A-S08KS02-M1-B1	E	13	43	27	M8x1	-	M12x1	M8	PNP	27 mm	2 mm	84.63	76.95	74.11	
653-E2AS08KN04M1B1	E2A-S08KN04-M1-B1	E	13	43	27	M8x1	6	M12x1	M8	PNP	27 mm	4 mm	73.92	68.24	64.86	
653-E2AS08LS02M1B1	E2A-S08LS02-M1-B1	E	13	65	49	M8x1	-	M12x1	M8	PNO	49 mm	2 mm	73.92	68.24	64.86	

M12 Connector, Unshielded, Nickel Plated Brass

For quantities of 20 and up, call for quote.

MOUSER STOCK NO.	Omron Part No.	Fig.	Dimensions: mm						Size	Output	Thread Length	Sensing Distance	Price Each		
			A	B	C	D	E	F					1	5	10
653-E2AM08KN04M1C1	E2A-M08KN04-M1-C1	C	13	43	27	M8x1	6	M12x1	M8	NPN	27 mm	4 mm	71.33	65.84	62.59
653-E2AM12KN08M1C1	E2A-M12KN08-M1-C1	C	17	48	34	M12x1	9.4	M12x1	M12	NPN	34 mm	8 mm	73.92	68.24	64.86
653-E2AM12LN08M1C1	E2A-M12LN08-M1-C1	C	17	72.3	56	M12x1	9.2	-	M12	NPN	56 mm	8 mm	73.92	68.24	64.86
653-E2AM12LN08M1B1	E2A-M12LN08-M1-B1	C	17	48	34	M12x1	9.2	M12x1	M12	PNP	56 mm	8 mm	74.48	68.22	65.83
653-E2AM18KN16M1C1	E2A-M18KN16-M1-C1	C	24	53	39	M18x1	15.3	M12x1	M18	NPN	39 mm	16 mm	79.11	69.42	66.85
653-E2AM18KN16M1B1	E2A-M18KN16-M1-B1	C	24	53	39	M18x1	15.3	M12x1	M18	PNP	39 mm	16 mm	79.71	73.01	70.45

