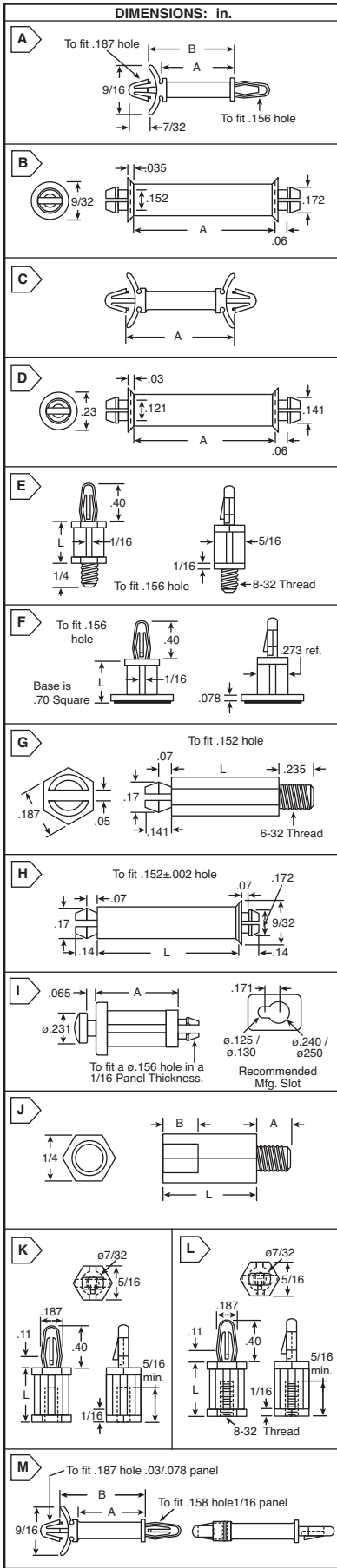


EAGLE PLASTIC DEVICES Nylon PCB Hardware



RoHS Compliant This product is RoHS compliant.



PCB SUPPORTS

“Lock/Tension” Series

Designed to lock to bottom chassis and snap into a 1/16" thick panel.

For quantities greater than listed, call for quote.

MOUSER STOCK NO.	Fig.	Dimensions (in.)		Price Each			
		A	B	1	100	500	1000
561-LT187	A	.187	.307	.08	.07	.06	.04
561-LT250	A	.250	.365	.12	.09	.08	.07
561-LT375	A	.375	.495	.12	.10	.08	.07
561-LT437	A	.437	.557	.16	.11	.09	.07
561-LT500	A	.500	.625	.12	.09	.07	.06
561-LT625	A	.625	.745	.15	.11	.09	.07
561-LT750	A	.750	.870	.20	.14	.11	.09
561-LT875	A	.875	.995	.18	.13	.11	.08
561-LT1000	A	1.000	1.120	.22	.16	.14	.12

“DSP”, “DLP”, and “DMSP” Series

- DSP: both ends fit a .156" hole
- DMSP: both ends fit a .125" hole
- DLP: both ends fit a .187" hole

For quantities greater than listed, call for quote.

MOUSER STOCK NO.	Fig.	Dimensions (in.)		Price Each			
		A		1	100	500	1000
561-DSP125	B	.125		.18	.10	.09	.08
561-DSP250	B	.250		.18	.11	.09	.08
561-DSP375	B	.375		.24	.19	.16	.12
561-DSP437	B	.437		.25	.19	.16	.12
561-DSP500	B	.500		.24	.18	.15	.12
561-DSP750	B	.750		.24	.18	.15	.12
561-DSP1000	B	1.000		.26	.21	.17	.13
561-DLP250	C	.365		.26	.20	.17	.13
561-DLP375	C	.495		.24	.18	.15	.12
561-DLP500	C	.625		.25	.19	.16	.13
561-DLP750	C	.87		.24	.18	.15	.12
561-DLP1000	C	1.12		.24	.18	.15	.12
561-DMSP125	D	.125		.18	.10	.09	.08
561-DMSP250	D	.250		.17	.12	.10	.09
561-DMSP375	D	.375		.18	.10	.09	.08
561-DMSP437	D	.437		.18	.10	.09	.08
561-DMSP500	D	.500		.19	.10	.09	.08
561-DMSP750	D	.750		.24	.18	.15	.10
561-DMSP1000	D	1.000		.24	.18	.15	.08

PCB LOCKING SUPPORTS

Male Threaded

For quantities greater than listed, call for quote.

MOUSER STOCK NO.	Fig.	Length (in.)	Price Each			
			1	100	500	1000
561-LMTP250	E	1/4	.13	.09	.08	.07
561-LMTP375	E	3/8	.13	.09	.08	.07
561-LMTP500	E	1/2	.13	.09	.08	.07
561-LMTP625	E	5/8	.18	.13	.10	.08
561-LMTP750	E	3/4	.18	.12	.10	.08
561-LMTP1000	E	1	.19	.13	.10	.08

Adhesive Base

For quantities greater than listed, call for quote.

MOUSER STOCK NO.	Fig.	Thread	Length (in.)	Price Each			
				1	100	500	1000
561-FSTP250	K	Self	.250	.30	.22	.19	.16
561-FSTP375	K	Self	.375	.31	.23	.19	.16
561-FSTP500	K	Self	.500	.34	.25	.21	.17
561-FSTP625	K	Self	.625	.32	.24	.21	.17
561-FSTP750	K	Self	.750	.34	.25	.21	.17
561-FSTP875	K	Self	.875	.34	.25	.21	.17
561-FSTP1000	K	Self	1.000	.33	.25	.21	.16
561-FTP250	L	8-32	.250	.44	.34	.28	.22
561-FTP375	L	8-32	.375	.46	.35	.29	.24
561-FTP500	L	8-32	.500	.48	.35	.30	.24
561-FTP625	L	8-32	.625	.47	.36	.30	.24
561-FTP750	L	8-32	.750	.48	.37	.30	.24
561-FTP1000	L	8-32	1.000	.50	.38	.31	.25

MALE PCB SUPPORT POSTS

For quantities greater than listed, call for quote.

MOUSER STOCK NO.	Fig.	Thread	Length (in.)	Price Each			
				1	100	500	1000
561-MTP125	G	1/8	.11	.08	.07	.06	
561-MTP250	G	1/4	.12	.09	.07	.06	
561-MTP500	G	1/2	.12	.09	.08	.07	
561-MTP750	G	3/4	.13	.09	.08	.07	
561-MTP875	G	7/8	.13	.11	.08	.07	

PCB POSTS

For quantities greater than listed, call for quote.

MOUSER STOCK NO.	Fig.	A	B	Price Each			
				1	100	500	1000
561-A0250	H	.250	.13	.09	.08	.07	.07
561-A0312	H	.312	.11	.08	.07	.06	.06
561-A0375	H	.375	.13	.09	.07	.06	.06
561-A0500	H	.500	.11	.08	.07	.06	.06
561-A0625	H	.625	.13	.09	.08	.07	.07
561-A0750	H	.750	.13	.09	.08	.07	.07
561-A1000	H	1.000	.14	.09	.08	.07	.07

KEY-SLOT PCB POSTS

For use in combination with a key-slot so that the circuit board may be removed for repairs.

For quantities greater than listed, call for quote.

MOUSER STOCK NO.	Fig.	A (in.)	Price Each			
			1	100	500	1000
561-KYP187	I	3/16	.22	.13	.10	.08
561-KYP625	I	5/8	.25	.14	.10	.07

MALE-FEMALE THREADED STANDOFFS

For quantities greater than listed, call for quote.

MOUSER STOCK NO.	Fig.	Dimensions (in.)			Price Each			
		A	B	L	1	100	500	1000
440 Thread								
561-MF440-25	J	.1875	.1875	.25	.35	.20	.12	.11
561-MF440-37	J	.1875	.1875	.375	.36	.21	.15	.12
561-MF440-50	J	.1875	.1875	.5	.36	.21	.13	.11
561-MF440-62	J	.1875	.1875	.625	.34	.21	.13	.11
561-MF440-75	J	.1875	.1875	.75	.35	.21	.13	.11
561-MF440-87	J	.1875	.1875	.875	.38	.24	.14	.12
561-MF440-100	J	.1875	.1875	1	.37	.23	.13	.12
561-MF440-125	J	.1875	.1875	1.25	.38	.24	.14	.12
561-MF440-137	J	.1875	.1875	1.375	.37	.25	.19	.14
561-MF440-150	J	.1875	.1875	1.5	.39	.24	.19	.16
561-MF440-175	J	.1875	.1875	1.75	.39	.24	.20	.18
561-MF440-200	J	.1875	.1875	2	.39	.24	.19	.15

632 Thread

561-MF632-25	J	.25	.219	.25	.34	.19	.12	.11
561-MF632-375	J	.25	.25	.375	.34	.19	.12	.11
561-MF632-50	J	.25	.25	.5	.35	.21	.13	.11
561-MF632-62	J	.25	.25	.625	.34	.19	.12	.11
561-MF632-75	J	.25	.25	.75	.34	.19	.12	.11
561-MF632-87	J	.25	.25	.875	.37	.23	.13	.12
561-MF632-100	J	.25	.25	1	.37	.23	.13	.12
561-MF632-125	J	.25	.25	1.25	.38	.24	.14	.12
561-MF632-150	J	.25	.25	1.5	.39	.24	.15	.13
561-MF632-162	J	.25	.25	1.625	.39	.24	.14	.13
561-MF632-175	J	.25	.25	1.75	.39	.24	.19	.15
561-MF632-200	J	.25	.25	2	.39	.24	.14	.13

832 Thread

561-MF832-25	J	.25	.2	.25	.34	.19	.12	.11
561-MF832-37	J	.375	.27	.375	.34	.23	.19	.15
561-MF832-50	J	.375	.375	.5	.34	.19	.12	.11
561-MF832-62	J	.375	.375	.625	.34	.21	.15	.12
561-MF832-75	J	.375	.375	.75	.34	.19	.12	.11
561-MF832-100	J	.375	.375	1	.37	.25	.19	.15
561-MF832-112	J	.375	.375	1.125	.37	.23	.13	.12
561-MF832-125	J	.375	.375	1.25	.37	.23	.13	.12
561-MF832-150	J	.375	.375	1.5	.39	.26	.18	.16
561-MF832-200	J	.375	.375	2	.39	.24	.19	.15

FEMALE NYLON CIRCUIT BOARD POSTS

Note: Self-threading posts are designed for use with a #6 self-tapping screw.

- Recommended hole size: .156" • 1/4" length has a thread depth of 13/64"
- Panel thickness: 1/16"

For quantities greater than listed, call for quote.

MOUSER STOCK NO.	Fig.	Thread	Length (in.)	Price Each			
				1	100	500	1000
561-FSTP250	K	Self	.250	.30	.22	.19	.16
561-FSTP375	K	Self	.375	.31	.23	.19	.16
561-FSTP500	K	Self	.500	.34	.25	.21	.17
561-FSTP625	K	Self	.625	.32	.24	.21	.17
561-FSTP750	K	Self	.750	.34	.25	.21	.17
561-FSTP875	K	Self	.875	.34	.25	.21	.17
561-FSTP1000	K	Self	1.000	.33	.25	.21	.16
561-FTP250	L	8-32	.250	.44	.34	.28	.22
561-FTP375	L	8-32	.375	.46	.35	.29	.24
561-FTP500	L	8-32	.500	.48	.35	.30	.24
561-FTP625	L	8-32	.625	.47	.36	.30	.24
561-FTP750	L	8-32	.750	.48	.37	.30	.24
561-FTP1000	L	8-32	1.000	.50	.38	.31	.25

NYLON PCB SUPPORTS

“LOCK/LOCK” SERIES

The “LLP” series is designed to securely lock both the chassis end and the printed circuit board on top.

For quantities greater than listed, call for quote.

MOUSER STOCK NO.	Fig.	A	B	Price Each			
				1	100	500	1000
561-LLP187	M	.187	.307	.19	.12	.10	.09
561-LLP250	M	.250	.365	.18	.13	.11	.09
561-LLP375	M	.375	.495	.19	.14	.12	.10
561-LLP500	M	.500	.625	.21	.16	.14	.11
561-LLP625	M	.625	.745	.23	.17	.14	.11
561-LLP750	M	.750	.870	.23	.17	.14	.12
561-LLP1000	M	1.000	1.120	.39	.30	.27	.18