

EAGLE PLASTIC DEVICES Nylon PCB Hardware



This page of product is compliant.

FEMALE NYLON CIRCUIT BOARD POSTS

- Molded in Natural Nylon 6/6
- Circuit board hole size - .156 dia
- Panel Thickness: 1/16

For quantities greater than listed, call for quote.

MOUSER STOCK NO.	Fig.	Description	Price Each		
			1	100	500
561-0375A	A	0.375	.31	.29	.27
561-0500A	A	0.500	.33	.30	.28
561-0625A	A	0.625	.33	.31	.28
561-0750A	A	0.750	.34	.31	.29
561-0875A	A	0.875	.34	.32	.29
561-1000A	A	1.000	.35	.32	.30
561-1125A	A	1.125	.35	.33	.30

MALE-FEMALE CIRCUIT BOARD SUPPORT

- Molded in Natural Nylon 6/6
- UL94V rated
- 3/8" board spacing

For quantities greater than listed, call for quote.

MOUSER STOCK NO.	Fig.	Description	Price Each		
			1	100	500
561-F0375	B	3/8"	.11	.10	.09
561-F0625	B	5/8"	.11	.10	.09

SQUARE STANDOFF LED MOUNT

LED mount provides secure mounting of both two and three lead devices. Nylon mount provides protection from heat, shock, and vibration. Symmetrical design with feet on both sides eliminating need for specific side rotation.

- Molded in Natural Nylon 6/6

For quantities greater than listed, call for quote.

MOUSER STOCK NO.	Fig.	Description	Price Each		
			1	100	500
561-TRM001	C	TRM 001	.16	.15	.14

POWER TRANSISTOR MOUNTS

Simplify power transistor mountings and insulation, and improve thermal efficiency with molded insulators.

For quantities greater than listed, call for quote.

MOUSER STOCK NO.	Fig.	Description	Price Each		
			1	100	500
Standard - Molded in Natural Nylon 6/6					
561-19PT1	D	TO-3 with barrier	.18	.16	.15
561-189PT1-WOB	D	TO-3 w/o barrier	.18	.16	.15
561-19PT2	E	TO-66 with barrier	.18	.16	.15
Heavy Duty - Molded in Glassfitted Polyester					
561-20PT11-HD	F	TO-3 with barrier	.21	.19	.18
561-18PT1-HD-WOB	F	TO-3 w/o barrier	.20	.19	.17

POWER TRANSISTOR COVERS

- Molded in Natural Nylon 6/6

For quantities greater than listed, call for quote.

MOUSER STOCK NO.	Fig.	Description	Price Each		
			1	100	500
TO-3 configuration					
561-C01031	G	1 hole	.46	.42	.39
561-C01032	G	5 hole	.46	.42	.39

NYLON PUSH SPACERS

- Hole size: .187"

For quantities greater than listed, call for quote.

MOUSER STOCK NO.	Fig.	Dimensions: in.			Price Each		
		A	A	Panel depth	1	100	500
561-PS250	H	.281	.250	.062	.07	.05	.04
561-PS500	H	.313	.500	.093	.22	.15	.11
561-PS500A	H	.313	.500	.062	.12	.08	.06
561-PS625	H	.281	.625	.062	.08	.05	.04

COVED SPACERS

For quantities greater than listed, call for quote.

MOUSER STOCK NO.	Fig.	Dimensions: in.			Price Each		
		A	B	L	1	100	500
561-130001	I	.750	.260	.125	.17	.11	.08
561-130002	I	.843	.257	.156	.24	.16	.12
561-130003	I	.835	.218	.500	.36	.24	.18
561-130004	I	.000	.260	.250	.31	.21	.15
561-130005	I	.000	.325	.250	.31	.21	.15
561-130006	I	.000	.250	.125	.39	.26	.19
561-130007	I	.875	.375	.250	.26	.18	.13

MINI LOCKING PCB SUPPORTS

- Adhesive Base
- Ideal for smaller sized circuit boards

For quantities greater than listed, call for quote.

MOUSER STOCK NO.	Fig.	Dimensions: in.		Price Each			
		A	1	100	500	1000	
561-187TAB	J	0.187	.53	.35	.27	.22	
561-250TAB	J	0.250	.54	.37	.28	.23	
561-312TAB	J	0.312	.56	.38	.29	.24	
561-375TAB	J	0.375	.55	.37	.28	.23	
561-437TAB	J	0.437	.54	.36	.27	.22	
561-500TAB	J	0.500	.54	.36	.27	.22	
561-562TAB	J	0.562	.54	.36	.27	.23	
561-625TAB	J	0.625	.54	.36	.27	.23	

NYLON HEAVY DUTY PCB SUPPORTS

- Snaps into P.C. board from bottom
- Molded in Black Nylon 6/6

For quantities greater than listed, call for quote.

MOUSER STOCK NO.	Fig.	Board Clearance	PCB Hole Dia	Chassis Hole Size	Price Each		
					1	100	500
561-C00500	K	.430-.460	.157	.312	.22	.20	.19

NYLON HEAVY DUTY PCB SUPPORTS

- Snaps into P.C. board from bottom
- Molded in Black Nylon 6/6

For quantities greater than listed, call for quote.

MOUSER STOCK NO.	Fig.	Dimensions: in.				Price Each	
		A	B	C	D	1	100
561-RV250	L	.375	11/32"	.250	.060	.36	.33
561-RV375	L	.375	11/32"	.375	.060	.36	.33
561-RV625	L	.500	13/32"	.625	.063	.22	.20

REVERSE LOCKING CIRCUIT BOARD SUPPORT STANDOFF

- Molded in Black Nylon 6/6

For quantities greater than listed, call for quote.

MOUSER STOCK NO.	Fig.	Dim. "A"	Body Dia.	Head Height	Hole Size	Price Each	
						1	100
561-RVS500	M	.500	.150	.045	.178	.36	.33

TWO-PIECE NYLON FASTENER

- Molded in Black Nylon 6/6
- For use with edge connector assembly

For quantities greater than listed, call for quote.

MOUSER STOCK NO.	Fig.	Dimensions: in.		Price Each		
		C	D	1	100	500
Body item "A"						
561-0003A	N	.110	.480	.13	.12	.11
561-0004A	N	.096	.340	.11	.10	.09
Pin item "B"						
561-0003B	N	.455	.069	.05	.04	.03
561-0004B	N	.340	.062	.04	.03	.02

TRANSISTOR INSULATORS

Designed to separate the mounting screw from the insulator

- Molded in Natural Nylon 6/6

For quantities greater than listed, call for quote.

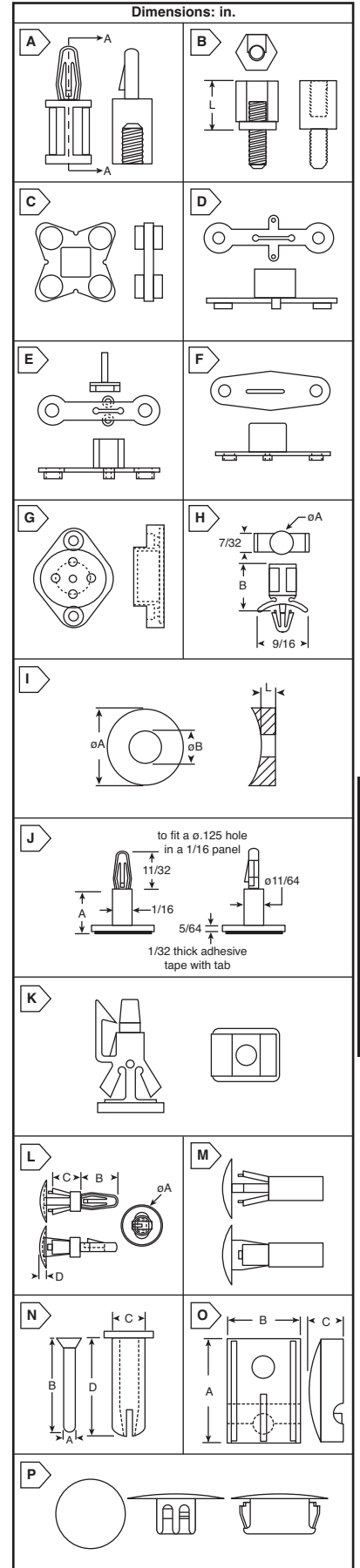
MOUSER STOCK NO.	Fig.	Dimensions: in.			Price Each		
		A	B	C	1	100	500
561-T001	O	.680	.476	.219	.16	.15	.14

KNOCK OUT PLUGS

- Installs with fingertip pressure, no tools required
- Molded in gray nylon
- Head thickness: .125"
- Thickness: .453"

For quantities greater than listed, call for quote.

MOUSER STOCK NO.	Fig.	Dimensions: in.		Price Each			
		Hole Dia.	Dia.	1	100	500	1000
561-0875KOP	P	0.875	1.016	.31	.21	.15	.13
561-1093KOP	P	1.093	1.218	.55	.36	.27	.23
561-1375KOP	P	1.375	1.500	.61	.40	.30	.25
561-1750KOP	P	1.750	1.925	.68	.46	.34	.28
561-2000KOP	P	2.000	2.140	.72	.48	.36	.30



Eagle Plastic Devices Hardware

