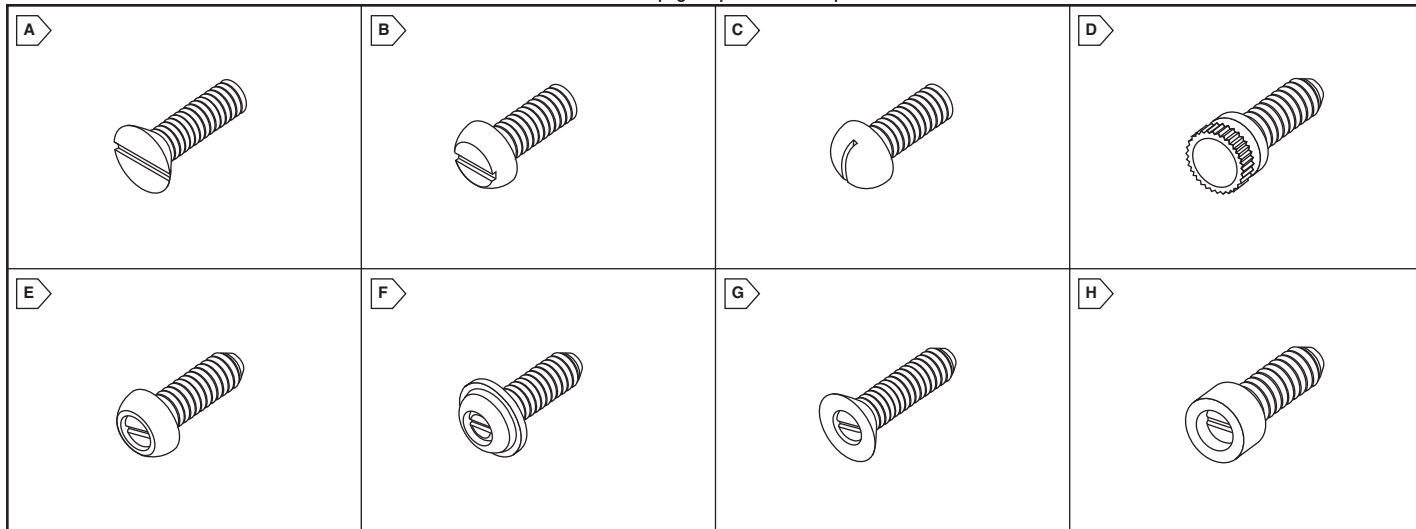


# EAGLE PLASTIC DEVICES Nylon Hardware



RoHS Compliant This page of product is compliant.



## MACHINE SCREWS

High quality screws made of durable type 6/6 nylon (UL-94V2).

For quantities of 5000 and up, call for quote.

For quantities of 5000 and up, call for quote.

MOUSER STOCK NO.	Fig.	Dimensions (in.)		Price Each		
		Thread	Length	1	100	1000
<b>Flat Slotted 82°</b>						
561-F440.25	A	4-40	.25	.20	.07	.05
561-F440.375	A	4-40	.375	.20	.07	.05
561-F440.5	A	4-40	.50	.20	.07	.05
561-F440.75	A	4-40	.75	.21	.10	.06
561-F440-1	A	4-40	1.00	.20	.10	.07
561-F632.25	A	6-32	.25	.20	.07	.05
561-F632.375	A	6-32	.375	.20	.07	.05
561-F632.5	A	6-32	.50	.22	.11	.07
561-F632.75	A	6-32	.75	.21	.08	.05
561-F632-1	A	6-32	1.00	.22	.09	.07
561-F832.375	A	8-32	.375	.21	.12	.09
561-F832.5	A	8-32	.50	.21	.08	.05
561-F832-1	A	8-32	1.00	.21	.08	.05
<b>Pan Slotted</b>						
561-P440.25	B	4-40	.25	.19	.07	.05
561-P440.375	B	4-40	.375	.20	.10	.08
561-P440.5	B	4-40	.50	.21	.08	.05
561-P440.75	B	4-40	.75	.21	.09	.06
561-P440-1	B	4-40	1.00	.20	.07	.05
561-P632.25	B	6-32	.25	.23	.11	.08
561-P632.375	B	6-32	.375	.23	.09	.06
561-P632.5	B	6-32	.50	.22	.09	.06
561-P632.75	B	6-32	.75	.21	.10	.07
561-P632-1	B	6-32	1.00	.21	.10	.05
561-P832.25	B	8-32	.25	.21	.09	.05
561-P832.375	B	8-32	.375	.21	.10	.07
561-P832.5	B	8-32	.50	.21	.08	.05
561-P832.75	B	8-32	.75	.22	.09	.06
561-P832-1	B	8-32	1.00	.21	.08	.05
<b>Round Slotted Screws</b>						
561-J440.25	C	4-40	.25	.21	.10	.05

MOUSER STOCK NO.	Fig.	Dimensions (in.)		Price Each		
		Thread	Length	1	100	1000
<b>Round Slotted Screws (Cont.)</b>						
561-J440.375	C	4-40	.375	.20	.07	.05
561-J440.5	C	4-40	.50	.21	.08	.05
561-J440.75	C	4-40	.75	.20	.07	.05
561-J440-1	C	4-40	1.00	.21	.10	.07
561-J632.25	C	6-32	.25	.21	.11	.08
561-J632.375	C	6-32	.375	.20	.07	.05
561-J832.25	C	8-32	.25	.21	.08	.05
561-J832.375	C	8-32	.375	.25	.12	.08
561-J832.75	C	8-32	.75	.21	.08	.05
561-J832-1	C	8-32	1.00	.21	.08	.05
561-J1032.25	C	10-32	.25	.24	.09	.06
561-J1032.50	C	10-32	50	.24	.09	.06
561-J1032.75	C	10-32	75	.24	.09	.06
561-J1032-1	C	10-32	1.00	.24	.09	.06
<b>Knurled Head Thumb Screws</b>						
561-T0440018	D	4-40	.187	.31	.16	.09
561-T0440025	D	4-40	.250	.30	.15	.09
561-T0440037	D	4-40	.375	.30	.14	.09
561-T0440050	D	4-40	.500	.30	.14	.09
561-T0440075	D	4-40	.750	.30	.14	.09
561-T0632025	D	6-32	.250	.34	.15	.10
561-T0632050	D	6-32	.500	.34	.15	.10
561-T0632075	D	6-32	.750	.34	.15	.10
561-T0632100	D	6-32	1.00	.34	.15	.10
561-T0832050	D	8-32	.500	.34	.15	.10
561-T0832075	D	8-32	.750	.34	.17	.12
561-T1032150	D	10-32	1.50	.36	.16	.11
561-T1032200	D	10-32	2.00	.36	.18	.13
561-T2520050	D	1/4-20	.500	.37	.19	.13
561-T2520100	D	1/4-20	1.00	.37	.17	.11
561-T2520125	D	1/4-20	1.25	.37	.17	.11

## METAL CORE NYLON SCREWS

### Features:

- Shear Strength of heat-treated steel
- Dielectric insulation, corrosion resistance, and vibration resistance of nylon
- Nylon 6/6 Natural High Strength, High Carbon, C.H.Q. Steel
- High Dielectric Resistance Precision Cold Formed and Knurled
- Corrosion Resistant Electro Zinc or Cadmium Plated
- Vibration and Abrasion Resistant

For quantities of 5000 and up, call for quote.

MOUSER STOCK NO.	Fig.	Dimensions (in.)				Price Each		
		Thread	Length	Head Dia.	Head Hgt.	1	100	1000
561-R632.25	E	6-32	.250	.255	.095	.56	.37	.25
561-R632.375	E	6-32	.375	.255	.095	.59	.39	.26
561-R832.375	E	8-32	.375	.300	.120	.60	.40	.27
561-R832.5	E	8-32	.500	.300	.120	.60	.40	.27
561-R1032.375	E	10-32	.375	.340	.130	.62	.42	.28
561-R1032.5	E	10-32	.500	.340	.130	.69	.46	.31
561-W632.25	F	6-32	.250	.230	.100	.56	.37	.25
561-W632.5	F	6-32	.500	.230	.100	.60	.40	.27
561-A832.5	G	8-32	.500	.305	.100	.31	.26	.21
561-A2520.375	G	250-20	.375	.510	.155	.35	.29	.23
561-FMC632.25	H	6-32	.250	.225	.135	.28	.24	.20

## NUTS

Use with nylon machine screws for mounting semiconductors to heat sinks.



Hex Nut



Lock Nut

### Features:

- Natural Nylon 6/6

For quantities of 5000 and up, call for quote.

MOUSER STOCK NO.	Description	Size	Price Each		
			1	100	1000
561-G440	Hex nut	4-40	.19	.07	.05
561-G632	Hex nut	6-32	.18	.06	.04
561-G832	Hex nut	8-32	.19	.12	.08
561-G1032	Hex nut	10-32	.19	.07	.04
561-G25020	Hex nut	1/4-20	.20	.07	.05
561-H440	Lock nut	4-40	.26	.12	.08
561-H632	Lock nut	6-32	.26	.13	.10
561-H832	Lock nut	8-32	.27	.10	.07
561-H1032	Lock nut	10-32	.27	.10	.07
561-TN0440	Knurled head thumb nut	4-40	.50	.24	.15
561-TN0832	Knurled head thumb nut	8-32	.53	.25	.16
561-DLWN0832	Locking wing nut	8-32	.31	.16	.10
561-DLWN1032	Locking wing nut	10-32	.29	.14	.09
561-DLWN25020	Locking wing nut	1/4-20	.39	.18	.12

