

# ALTECH Liquid Tight Metal Strain Reliefs

## Altech Corp.®

### Altech Corp.® METAL CABLE GLAND



RoHS Compliant

- Material:**
- Body: Nickel-plated brass
  - Seal: Neoprene
  - Clamping insert: PA 6
  - Sealing ring for outer thread: Nitril

- Technical Properties:**
- Seal rings included for PG and Metric sizes only
  - Maximum strain relief through clamp rang
  - Gas and water-tight
  - Temperature Range: -25 to 120° C (-13 to 248° F)
  - IP68 protection rating

Extended threads available.  
Contact a Mouser Service Representative

#### PG Thread

For quantities of 2000 and up, call for quote.

| MOUSER STOCK NO. | Altech Part No. | Fig. | Thread Size | Cable Clamp Range |             | Price Each |      |      |      |
|------------------|-----------------|------|-------------|-------------------|-------------|------------|------|------|------|
|                  |                 |      |             | mm                | In.         | 1          | 25   | 50   | 100  |
| 845-4220351      | 4220351         | A    | PG 7        | 1.5 - 5           | .059 - .197 | 2.37       | 2.25 | 2.13 | 2.03 |
| 845-4220307      | 4220307         | A    | PG 7        | 2.5 - 6.5         | .098 - .256 | 2.88       | 2.80 | 2.71 | 2.63 |
| 845-4220352      | 4220352         | A    | PG 9        | 2.5 - 7           | .098 - .276 | 2.07       | 2.01 | 1.96 | 1.89 |
| 845-4220309      | 4220309         | A    | PG 9        | 4 - 9.5           | .157 - .374 | 1.89       | 1.84 | 1.79 | 1.73 |
| 845-4220353      | 4220353         | A    | PG 11       | 3 - 8.5           | .118 - .335 | 2.42       | 2.34 | 2.27 | 2.19 |
| 845-4220311      | 4220311         | A    | PG 11       | 6 - 11.5          | .236 - .453 | 2.42       | 2.34 | 2.27 | 2.19 |
| 845-4220354      | 4220354         | A    | PG 13       | 4 - 10            | .157 - .394 | 3.91       | 3.71 | 3.53 | 3.35 |
| 845-4220313      | 4220313         | A    | PG 13       | 7 - 13            | .276 - .512 | 3.21       | 3.02 | 2.84 | 2.67 |
| 845-4220355      | 4220355         | A    | PG 16       | 5 - 12            | .197 - .472 | 3.81       | 3.62 | 3.44 | 3.27 |
| 845-4220316      | 4220316         | A    | PG 16       | 8 - 15            | .315 - .591 | 3.74       | 3.55 | 3.38 | 3.21 |
| 845-4220356      | 4220356         | A    | PG 21       | 8 - 16            | .315 - .630 | 6.55       | 6.22 | 5.91 | 5.62 |
| 845-4220321      | 4220321         | A    | PG 21       | 11 - 19           | .433 - .748 | 4.50       | 4.37 | 4.24 | 4.11 |

#### NPT Thread

For quantities of 2000 and up, call for quote.

| MOUSER STOCK NO. | Altech Part No. | Fig. | Thread Size | Cable Clamp Range |           | Price Each |       |       |       |
|------------------|-----------------|------|-------------|-------------------|-----------|------------|-------|-------|-------|
|                  |                 |      |             | mm                | In.       | 1          | 25    | 50    | 100   |
| 845-4220810      | 4220810         | A    | NPT 3/8"    | 2.5-7             | .098-.276 | 4.21       | 3.99  | 3.80  | 3.61  |
| 845-4220800      | 4220800         | A    | NPT 3/8"    | 4-9.5             | .157-.374 | 4.04       | 3.84  | 3.65  | 3.46  |
| 845-4220811      | 4220811         | A    | NPT 1/2"    | 4-10              | .157-.394 | 6.01       | 5.70  | 5.42  | 5.15  |
| 845-4220801      | 4220801         | A    | NPT 1/2"    | 7-13              | .276-.512 | 5.82       | 5.53  | 5.25  | 4.99  |
| 845-4220812      | 4220812         | A    | NPT 3/4"    | 5-13              | .197-.512 | 8.43       | 8.01  | 7.61  | 7.23  |
| 845-4220802      | 4220802         | A    | NPT 3/4"    | 8-16              | .315-.630 | 7.36       | 6.99  | 6.64  | 6.31  |
| 845-4220813      | 4220813         | A    | NPT 1"      | 7-17              | .276-.669 | 20.22      | 19.21 | 18.25 | 17.33 |
| 845-4220803      | 4220803         | A    | NPT 1"      | 11-21             | .433-.827 | 13.01      | 12.63 | 12.24 | 11.87 |

#### Metric Thread

For quantities of 2000 and up, call for quote.

| MOUSER STOCK NO. | Altech Part No. | Fig. | Thread Size | Cable Clamp Range |           | Price Each |       |       |       |
|------------------|-----------------|------|-------------|-------------------|-----------|------------|-------|-------|-------|
|                  |                 |      |             | mm                | In.       | 1          | 25    | 50    | 100   |
| 845-4220712      | 4220712         | A    | M 12 x 1.5  | 1.5-5             | .059-.197 | 2.39       | 2.32  | 2.25  | 2.18  |
| 845-4220612      | 4220612         | A    | M 12 x 1.5  | 2.5-6.5           | .098-.256 | 2.21       | 2.15  | 2.08  | 2.01  |
| 845-4220716      | 4220716         | A    | M 16 x 1.5  | 2.5-7             | .098-.276 | 3.30       | 3.16  | 3.00  | 2.85  |
| 845-4220616      | 4220616         | A    | M 16 x 1.5  | 4-9.5             | .157-.374 | 3.36       | 3.26  | 3.16  | 3.06  |
| 845-4220720      | 4220720         | A    | M 20 x 1.5  | 4-10              | .157-.394 | 4.50       | 4.27  | 4.06  | 3.85  |
| 845-4220620      | 4220620         | A    | M 20 x 1.5  | 7-13              | .276-.512 | 2.93       | 2.84  | 2.75  | 2.67  |
| 845-4220725      | 4220725         | A    | M 25 x 1.5  | 5-13              | .197-.512 | 5.80       | 5.63  | 5.46  | 5.29  |
| 845-4220625      | 4220625         | A    | M 25 x 1.5  | 8-16              | .315-.630 | 5.11       | 4.97  | 4.81  | 4.66  |
| 845-4220732      | 4220732         | A    | M 32 x 1.5  | 7-17              | .276-.669 | 12.79      | 12.15 | 11.54 | 10.97 |
| 845-4220632      | 4220632         | A    | M 32 x 1.5  | 11-21             | .433-.827 | 8.78       | 8.53  | 8.27  | 8.02  |

### Altech Corp.® EMC METAL CABLE GLAND



RoHS Compliant

- Material:**
- Body: Nickel-plated brass
  - Seal: Tefabloc
  - Clamping ring for grounding connection: Tin-plated plastic
  - Seal ring for outer thread: Nitril
  - Characteristic feature: PG/Metric thread

- Technical Properties:**
- Continuous EMC protection due to tin-plated plastic
  - Gas and water-tight
  - Completely twist protected
  - Combinable with various sealing inserts
  - Temperature range: -25 to 120° C (-13 to 248° F)
  - IP68 protection rating

#### PG Thread

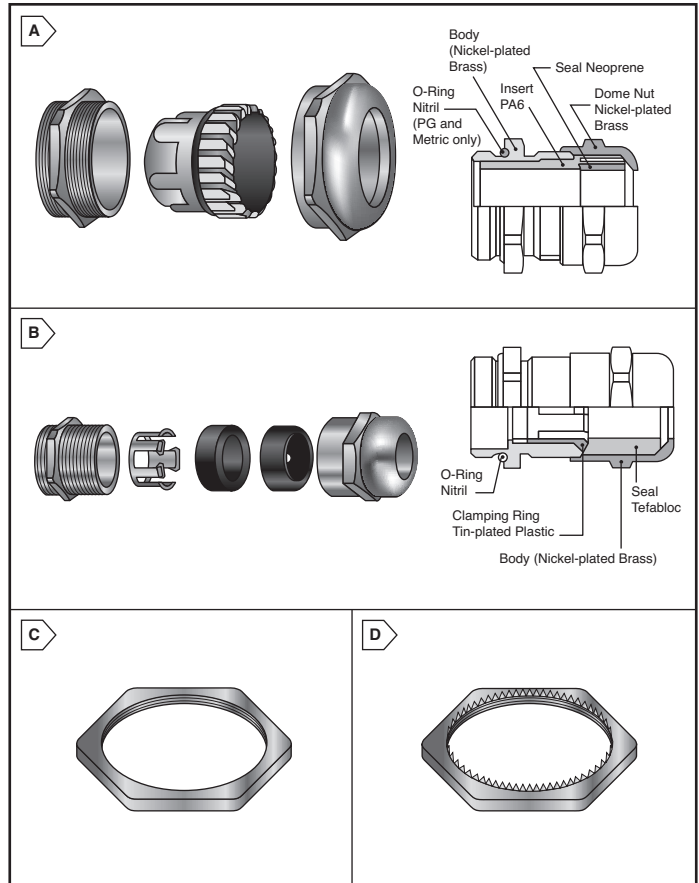
For quantities of 2000 and up, call for quote.

| MOUSER STOCK NO. | Altech Part No. | Fig. | Thread Size | Cable Clamp Range |             | Price Each |       |       |       |
|------------------|-----------------|------|-------------|-------------------|-------------|------------|-------|-------|-------|
|                  |                 |      |             | mm                | In.         | 1          | 25    | 50    | 100   |
| 845-4264007      | 4264007         | B    | PG 7        | 4 - 6.5           | .157 - .256 | 4.25       | 4.00  | 3.85  | 3.72  |
| 845-4264009      | 4264009         | B    | PG 9        | 5 - 8.5           | .197 - .335 | 4.48       | 4.32  | 4.19  | 4.12  |
| 845-4264011      | 4264011         | B    | PG 11       | 7 - 10.5          | .276 - .413 | 6.15       | 5.71  | 5.47  | 5.31  |
| 845-4264013      | 4264013         | B    | PG 13       | 8 - 12.5          | .315 - .492 | 7.51       | 7.13  | 6.78  | 6.44  |
| 845-4264016      | 4264016         | B    | PG 16       | 10 - 14.5         | .394 - .571 | 7.18       | 6.97  | 6.76  | 6.55  |
| 845-4264021      | 4264021         | B    | PG 21       | 13.5 - 18         | .531 - .709 | 11.62      | 11.04 | 10.49 | 9.97  |
| 845-4264029      | 4264029         | B    | PG 29       | 17 - 24           | .669 - .945 | 24.26      | 23.05 | 21.90 | 20.80 |

#### Metric Thread

For quantities of 2000 and up, call for quote.

| MOUSER STOCK NO. | Altech Part No. | Fig. | Thread Size | Cable Clamp Range |             | Price Each |       |       |       |
|------------------|-----------------|------|-------------|-------------------|-------------|------------|-------|-------|-------|
|                  |                 |      |             | mm                | In.         | 1          | 25    | 50    | 100   |
| 845-4264112      | 4264112         | B    | M 12 x 1.5  | 4 - 6.5           | .157 - .256 | 4.61       | 4.38  | 4.16  | 3.95  |
| 845-4264116      | 4264116         | B    | M 16 x 1.5  | 4 - 6.5           | .157 - .256 | 4.83       | 4.59  | 4.36  | 4.14  |
| 845-4264117      | 4264117         | B    | M 16 x 1.5  | 5 - 8.5           | .197 - .335 | 5.45       | 5.18  | 4.92  | 4.67  |
| 845-4264120      | 4264120         | B    | M 20 x 1.5  | 7 - 10.5          | .276 - .413 | 7.19       | 6.83  | 6.49  | 6.16  |
| 845-4264121      | 4264121         | B    | M 20 x 1.5  | 8 - 12.5          | .315 - .492 | 7.26       | 6.90  | 6.55  | 6.22  |
| 845-4264125      | 4264125         | B    | M 25 x 1.5  | 10 - 14.5         | .394 - .571 | 9.36       | 8.89  | 8.44  | 8.03  |
| 845-4264126      | 4264126         | B    | M 25 x 1.5  | 13.5 - 18         | .531 - .709 | 13.02      | 12.37 | 11.75 | 11.16 |
| 845-4264132      | 4264132         | B    | M 32 x 1.5  | 13.5 - 18         | .531 - .709 | 16.27      | 15.45 | 14.68 | 13.95 |



### Altech Corp.® LOCK NUTS



RoHS Compliant

#### Nickel-Plated Brass

For quantities of 2000 and up, call for quote.

| MOUSER STOCK NO.       | Altech Part No. | Fig. | Thread Size | Price Each |     |     |     |
|------------------------|-----------------|------|-------------|------------|-----|-----|-----|
|                        |                 |      |             | 1          | 25  | 50  | 100 |
| <b>PG (DIN 46 320)</b> |                 |      |             |            |     |     |     |
| 845-6000070            | 6000070         | C    | PG 7        | .25        | .22 | .21 | .18 |
| 845-6000096            | 6000096         | C    | PG 9        | .25        | .23 | .20 | .18 |
| 845-6000118            | 6000118         | C    | PG 11       | .45        | .40 | .36 | .32 |
| 845-6000134            | 6000134         | C    | PG 13.5     | .61        | .55 | .50 | .44 |
| 845-6000169            | 6000169         | C    | PG 16       | .73        | .67 | .60 | .54 |
| 845-6000215            | 6000215         | C    | PG 21       | .72        | .70 | .68 | .66 |
| 845-6000290            | 6000290         | C    | PG 29       | .83        | .81 | .78 | .76 |
| <b>Metric</b>          |                 |      |             |            |     |     |     |
| 845-6004121            | 6004121         | C    | M 12 x 1.5  | .25        | .22 | .21 | .18 |
| 845-6004164            | 6004164         | C    | M 16 x 1.5  | .34        | .30 | .27 | .24 |
| 845-6004202            | 6004202         | C    | M 20 x 1.5  | .47        | .42 | .38 | .33 |
| 845-6004253            | 6004253         | C    | M 25 x 1.5  | .71        | .65 | .58 | .51 |
| 845-6004326            | 6004326         | C    | M 32 x 1.5  | .74        | .71 | .70 | .67 |

#### Ribbed Nickel-Plated Brass EMC Applications

For quantities of 250 and up, call for quote.

| MOUSER STOCK NO. | Altech Part No. | Fig. | Thread Size | Price Each |      |      |      |
|------------------|-----------------|------|-------------|------------|------|------|------|
|                  |                 |      |             | 1          | 25   | 50   | 100  |
| <b>PG</b>        |                 |      |             |            |      |      |      |
| 845-6011007      | 6011007         | D    | PG 7        | .61        | .59  | .57  | .55  |
| 845-6011009      | 6011009         | D    | PG 9        | .63        | .61  | .59  | .57  |
| 845-6011011      | 6011011         | D    | PG 11       | .64        | .62  | .60  | .58  |
| 845-6011013      | 6011013         | D    | PG 13.5     | .68        | .66  | .63  | .62  |
| 845-6011016      | 6011016         | D    | PG 16       | .76        | .74  | .72  | .70  |
| 845-6011021      | 6011021         | D    | PG 21       | 1.04       | 1.00 | .97  | .94  |
| 845-6011029      | 6011029         | D    | PG 29       | 1.54       | 1.50 | 1.46 | 1.40 |
| <b>Metric</b>    |                 |      |             |            |      |      |      |
| 845-6011112      | 6011112         | D    | M 12 x 1.5  | .69        | .63  | .56  | .50  |
| 845-6011116      | 6011116         | D    | M 16 x 1.5  | .74        | .72  | .70  | .67  |
| 845-6011120      | 6011120         | D    | M 20 x 1.5  | .94        | .91  | .88  | .86  |
| 845-6011125      | 6011125         | D    | M 25 x 1.5  | 1.37       | 1.33 | 1.29 | 1.25 |
| 845-6011132      | 6011132         | D    | M 32 x 1.5  | 2.04       | 1.98 | 1.92 | 1.86 |