

# EAGLE PLASTIC DEVICES Control and Instrument Knobs

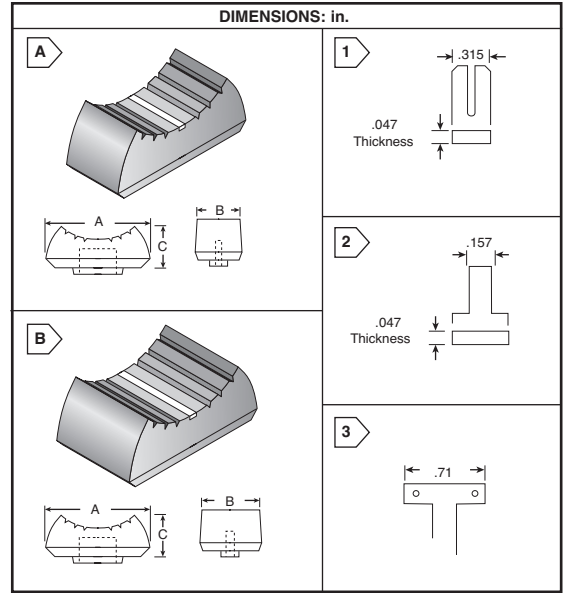


## SLIDE CONTROL KNOBS

Stylish and functional, these slide control knobs are available in several color combinations.

For quantities of 1000 and up, call for quote.

MOUSER STOCK NO.	Fig.	Body Color	Line Color	Shaft Size	Dimensions: in.			Price Each			
					A	B	C	1	10	100	500
450-SL2112	A1	Red	Black	1.2x8	.945	.591	.445	.47	.38	.35	.32
450-SL2212	A1	Yellow	Black	1.2x8	.945	.591	.445	.47	.38	.35	.32
450-SL2312	A1	Blue	Black	1.2x8	.945	.591	.445	.47	.38	.35	.32
450-SL2412	A1	Green	Black	1.2x8	.945	.591	.445	.47	.38	.35	.32
450-SL2512	A1	Gray	Black	1.2x8	.945	.591	.445	.47	.38	.35	.32
450-SL2612	A1	Black	White	1.2x8	.945	.591	.445	.47	.38	.35	.32
450-SL4512	B1	Gray	Black	1.2x8	1.02	.433	.433	.47	.38	.35	.32
450-SL4514	B2	Gray	Black	1.2x4	1.02	.433	.433	.47	.38	.35	.32
450-SL5512	B2	Gray	Black	1.2x4	.945	.354	.425	.47	.38	.35	.32
450-SL6112	B3	Red	White	1.2x18	.953	.453	.406	.50	.40	.36	.34
450-SL6312	B3	Blue	White	1.2x18	.953	.453	.406	.50	.40	.36	.34
450-SL6512	B3	Gray	Black	1.2x18	.953	.453	.406	.50	.40	.36	.34
450-SL6612	B3	Black	White	1.2x18	.953	.453	.406	.50	.40	.36	.34
450-SL6712	B3	White	Black	1.2x18	.953	.453	.406	.50	.40	.36	.34



## TWO-COLOR RUBBERIZED KNOBS

These rubberized two color knobs provide a clean, modern look with precise control. Available in several color combinations, these knobs provide a stylish look to any front panel.

For quantities of 1000 and up, call for quote.

MOUSER STOCK NO.	Fig.	Body Color	Line Color	Dimensions: in.			Price Each			
				Shaft	Diameter	Height	1	10	100	500
<b>D Shaft (6mm)</b>										
450-4660	A1	Gray	Black	.236	.52	.61	.57	.38	.35	.32
450-4661	A1	Gray	Red	.236	.52	.61	.57	.38	.35	.32
450-4662	A1	Gray	Yellow	.236	.52	.61	.46	.40	.35	.32
450-4663	A1	Gray	Blue	.236	.52	.61	.46	.40	.35	.32
450-4664	A1	Gray	Green	.236	.52	.61	.46	.40	.35	.32
450-4667	A1	Gray	Gray	.236	.52	.61	.46	.40	.35	.32
450-4760	A1	Black	White	.236	.52	.61	.57	.38	.35	.32
450-4761	A1	Black	Red	.236	.52	.61	.46	.40	.35	.32
450-4762	A1	Black	Yellow	.236	.52	.61	.46	.40	.35	.32
450-4763	A1	Black	Blue	.236	.52	.61	.46	.40	.35	.32
450-4764	A1	Black	Green	.236	.52	.61	.46	.40	.35	.32
450-4765	A1	Black	Gray	.236	.52	.61	.46	.40	.35	.32
<b>D Shaft (6.4mm)</b>										
450-4641	A2	Gray	Red	.252	.52	.61	.46	.40	.35	.32
450-4642	A2	Gray	Yellow	.252	.52	.61	.46	.40	.35	.32
450-4643	A2	Gray	Blue	.252	.52	.61	.46	.40	.35	.32
450-4644	A2	Gray	Green	.252	.52	.61	.46	.40	.35	.32
450-4646	A2	Gray	Black	.252	.52	.61	.46	.40	.35	.32
450-4647	A2	Gray	Gray	.252	.52	.61	.46	.40	.35	.32
450-4741	A2	Black	Red	.252	.52	.61	.46	.40	.35	.32
450-4742	A2	Black	Yellow	.252	.52	.61	.46	.40	.35	.32
450-4743	A2	Black	Blue	.252	.52	.61	.46	.40	.35	.32
450-4744	A2	Black	Green	.252	.52	.61	.46	.40	.35	.32
450-4745	A2	Black	Gray	.252	.52	.61	.46	.40	.35	.32
450-4747	A2	Black	White	.252	.52	.61	.46	.40	.35	.32
<b>T18 (6 mm, 18 tooth Knurled Shaft)</b>										
450-1518	A3	Gray	Red	.236	.52	.61	.46	.40	.35	.32
450-2518	A3	Gray	Yellow	.236	.52	.61	.46	.40	.35	.32
450-3518	A3	Gray	Blue	.236	.52	.61	.46	.40	.35	.32
450-4518	A3	Gray	Green	.236	.52	.61	.46	.40	.35	.32
450-6518	A3	Gray	Black	.236	.52	.61	.46	.40	.35	.32
450-7518	A3	Gray	Gray	.236	.52	.61	.46	.40	.35	.32
450-1C618	A3	Black	Red	.236	.52	.61	.46	.40	.35	.32
450-2C618	A3	Black	Yellow	.236	.52	.61	.46	.40	.35	.32
450-3C618	A3	Black	Blue	.236	.52	.61	.46	.40	.35	.32
450-4C618	A3	Black	Green	.236	.52	.61	.46	.40	.35	.32
450-5C618	A3	Black	Gray	.236	.52	.61	.46	.40	.35	.32
450-7618	A3	Black	White	.236	.52	.61	.57	.38	.35	.32

