

OSRAM Infrared Emitters

OSRAM

Opto Semiconductors

RoHS Compliant This page of product is compliant.

Opto Components

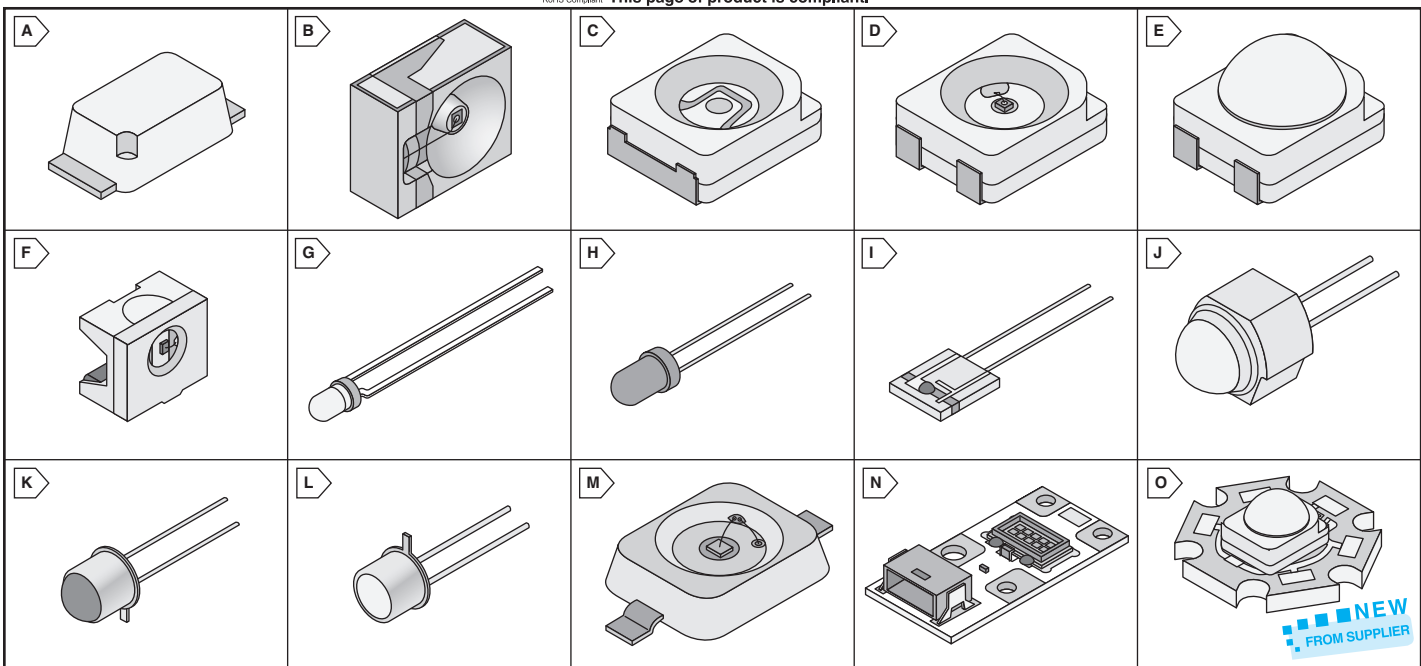
Ostram

NEW SUPPLIER

NEW SUPPLIER

NEW SUPPLIER

NEW SUPPLIER



For quantities of 250 and up, call for quote.

MOUSER STOCK NO.	Osram Part No.	Fig.	Package	Wavelength (nm)	Radiant Intensity	Half Angle	Rise/Fall Time (typ)	Forward Voltage	Forward Current	Price Each				
										1	10	50	100	
Surface Mount Infrared Emitter														
720-SFH4010-Z	SFH 4010-Z	A	SmartLED 0603	950	2.5 (≥ 1) mW/sr	80.0°	500ns	1.3V	100mA	.59	.563	.52	.453	
720-SFH4050-Z	SFH 4050-Z	A	SmartLED 0603	880	7 (≥ .4) mW/sr	80.0°	12ns	1.5V	100mA	.91	.87	.80	.70	
720-SFH4080-Z	SFH 4080-Z	A	SmartLED 0603	880	2.5 (≥ 1) mW/sr	80.0°	500ns	1.5V	100mA	.62	.591	.54	.475	
720-SFH4650-Z	SFH 4650-Z	B	MIDLED	850	40 (≥ 16) mW/sr	20.0°	12ns	1.5V	100mA	.97	.921	.84	.741	
720-SFH4655-Z	SFH 4655-Z	B	MIDLED	850	40 (≥ 16) mW/sr	20.0°	12ns	1.5V	100mA	.97	.921	.84	.741	
720-SFH4680-Z	SFH 4680-Z	B	MIDLED	880	20 (≥ 10) mW/sr	20.0°	500ns	1.5V	100mA	.78	.742	.68	.597	
720-SFH4685-Z	SFH 4685-Z	B	MIDLED	880	20 (≥ 10) mW/sr	20.0°	500ns	1.5V	100mA	.78	.742	.68	.597	
720-SFH4252-Z	SFH 4252-Z	C	TOPLED PLCC-2	850	16 (≥ 10) mW/sr	60.0°	12ns	1.5V	100mA	.78	.742	.68	.597	
720-SFH4243-Z	SFH 4243-Z	C	TOPLED PLCC-2	940	11 (≥ 4) mW/sr	60.0°	11ns	1.5V	70mA	.75	.716	.66	.576	
720-SFH4253-Z	SFH 4253-Z	C	TOPLED PLCC-2	850	11 (≥ 4) mW/sr	60.0°	10ns	1.5V	70mA	.72	.691	.63	.556	
720-SFH4240-Z	SFH 4240-Z	D	TOPLED PLCC-4	940	15 (≥ 10) mW/sr	60.0°	11ns	1.5V	100mA	.81	.768	.70	.618	
720-SFH4250-Z	SFH 4250-Z	D	TOPLED PLCC-4	950	5 (≥ 2.5) mW/sr	60.0°	500ns	1.3V	100mA	.81	.768	.70	.618	
720-SFH4258-Z	SFH 4258-Z	E	TOPLED PLCC-4	850	90 (≥ 40) mW/sr	15.0°	12ns	1.5V	100mA	1.02	.972	.89	.782	
720-SFH4244-Z	SFH 4244-Z	F	SIDELED	940	11 (≥ 4) mW/sr	60.0°	11ns	1.5V	70mA	.75	.716	.66	.576	
720-SFH4255-Z	SFH 4255-Z	F	SIDELED	850	15 (≥ 10) mW/sr	60.0°	12ns	1.5V	100mA	.86	.819	.75	.659	
Through Hole Infrared Emitter														
720-SFH405	SFH 405	-	Miniature Package	950	2.5 (≥ 1.6) mW/sr	16.0°	1000ns	1.25V	40mA	1.86	1.76	1.62	1.42	
720-SFH487P	SFH 487 P	-	3mm (T1)	880	≥ 2 mW/sr	65.0°	600ns	1.5V	100mA	.89	.844	.77	.679	
720-SFH409	SFH 409	G	3mm (T1)	950	≥ 6.3 mW/sr	20.0°	500ns	1.3V	100mA	.59	.563	.52	.453	
720-SFH4350	SFH 4350	G	3mm (T1)	850	70 (≥ 40) mW/sr	13.0°	12ns	1.5V	100mA	.81	.768	.70	.618	
720-SFH485P	SFH 485 P	-	5mm (T1 ¾)	880	≥ 3.15 mW/sr	40.0°	600ns	1.5V	100mA	.64	.614	.56	.494	
720-SFH415	SFH 415	H	5mm (T1 ¾)	950	≥ 25 mW/sr	17.0°	500ns	1.3V	100mA	.37	.358	.33	.288	
720-SFH415U	SFH 415 U	H	5mm (T1 ¾)	950	≥ 40 mW/sr	17.0°	500ns	1.3V	100mA	.45	.435	.40	.35	
720-SFH4511	SFH 4511	H	5mm (T1 ¾)	950	150 (≥ 63) mW/sr	4.0°	500ns	1.3V	100mA	.62	.588	.54	.473	
720-SFH4550	SFH 4550	H	5mm (T1 ¾)	850	700 (≥ 400) mW/sr	3.0°	12ns	1.5V	100mA	.81	.768	.70	.618	
720-SFH4556	SFH 4556	H	5mm (T1 ¾)	850	130 (≥ 40) mW/sr	20.0°	12ns	1.5V	100mA	.81	.77	.62	.57	
720-SFH484	SFH 484	H	5mm (T1 ¾)	880	≥ 50 mW/sr	8.0°	600ns	1.5V	100mA	.51	.486	.45	.391	
720-SFH484-2	SFH 484-2	H	5mm (T1 ¾)	880	≥ 80 mW/sr	8.0°	600ns	1.5V	100mA	.64	.614	.56	.494	
720-SFH485	SFH 485	H	5mm (T1 ¾)	880	25 ... 160 mW/sr	20.0°	600ns	1.5V	100mA	.51	.486	.45	.391	
720-SFH485-2	SFH 485-2	H	5mm (T1 ¾)	880	25 ... 100 mW/sr	20.0°	600ns	1.5V	100mA	.64	.614	.56	.494	
720-SFH486	SFH 486	H	5mm (T1 ¾)	880	70 (≥ 40) mW/sr	11.0°	600ns	1.5V	100mA	.51	.486	.45	.391	
720-IRL80A	IRL 80A	I	Sidelooker	950	≥ 0.4 mW/sr	30.0°	500ns	1.2V	20mA	.51	.44	.42	.39	
720-IRL81A	IRL 81A	I	Sidelooker	880	2.5 (≥ 1) mW/sr	25.0°	600ns	1.5V	20mA	.58	.50	.48	.44	
720-SFH4110	SFH 4110	I	Sidelooker	950	≥ 2.5 mW/sr	9.0°	450ns	1.2V	20mA	.45	.435	.40	.35	
720-SFH4585-Z	SFH 4585-Z	J	SMR	880	55 (≥ 25) mW/sr	15.0°	600ns	1.5V	100mA	.62	.588	.54	.473	
720-SFH400	SFH 400	K	TO-18 Metal Can	950	≥ 20 mW/sr	6.0°	1000ns	1.3V	100mA	1.91	1.81	1.67	1.46	
720-SFH401	SFH 401	K	TO-18 Metal Can	950	≥ 10 mW/sr	15.0°	1000ns	1.3V	100mA	1.99	1.89	1.74	1.52	
720-SFH480	SFH 480	K	TO-18 Metal Can	880	≥ 40 mW/sr	6.0°	600ns	1.5V	100mA	1.83	1.74	1.59	1.40	
720-SFH4813	SFH 4813	K	TO-18 Metal Can	950	4.5 (≥ 2.5) mW/sr	35.0°	500ns	1.3V	100mA	5.37	5.09	4.67	4.09	
720-SFH4860	SFH 4860	K	TO-18 Metal Can	660	1.3 (≥ 0.63) mW/sr	50.0°	100ns	2.0V	50mA	5.37	5.09	4.67	4.09	
720-SFH4811	SFH 4811	L	TO-46 Metal Can	950	40 (≥ 25) mW/sr	5.0°	500ns	1.3V	100mA	5.37	5.09	4.67	4.09	
720-SFH4881	SFH 4881	L	TO-46 Metal Can	880	72 (≥ 40) mW/sr	5.0°	500ns	1.5V	100mA	2.02	1.92	1.76	1.54	
720-SFH4883	SFH 4883	L	TO-46 Metal Can	880	8 (≥ 4) mW/sr	35.0°	500ns	1.5V	100mA	2.02	1.92	1.76	1.54	
720-SFH4230-Z	SFH 4230-Z	M	IR Dragon	850	170 mW/sr	60.0°	10ns	1.8V	1000mA	8.91	8.44	7.74	6.79	
720-SFH4232-Z	SFH 4232-Z	M	IR Dragon	850	530 mW	60.0°	10ns	1.8V	1000mA	9.45	8.96	7.21	6.60	
Infrared Emitter with LED														
720-SFH7222-Z	SFH 7222-Z	D	TOPLED PLCC-4	880 / 565	≥ 4 mW/sr	60.0°	500ns	1.5V	100/30mA	.89	.844	.77	.679	
720-SFH7221-Z	SFH 7221-Z	D	TOPLED PLCC-4	880	≥ 4 mW/sr	60.0°	500ns	1.5V	15mA	.89	.844	.77	.679	
Ultra High Power Infrared Emitter Ostar														
720-SFH4730	SFH 4730	N	Ostar Observation	850	1000 mW/sr	60.0°	10ns	18.0V	1000mA	97.20	92.16	84.43	74.16	
720-SFH4740	SFH 4740	N	Ostar Observation	850	1200 mW/sr	60.0°	10ns	18.0V	1000mA	97.20	92.16	84.43	74.16	
720-SFH4750	SFH 4750	O	Ostar Lighting	850	1000 mW/sr	70.0°	10ns	9.5V	1000mA	86.41	81.92	65.91	60.32	
720-SFH4751	SFH 4751	O	Ostar Lighting	940	900 mW/sr	70.0°	- - -	9.8V	1000mA	86.41	81.92	65.91	60.32	