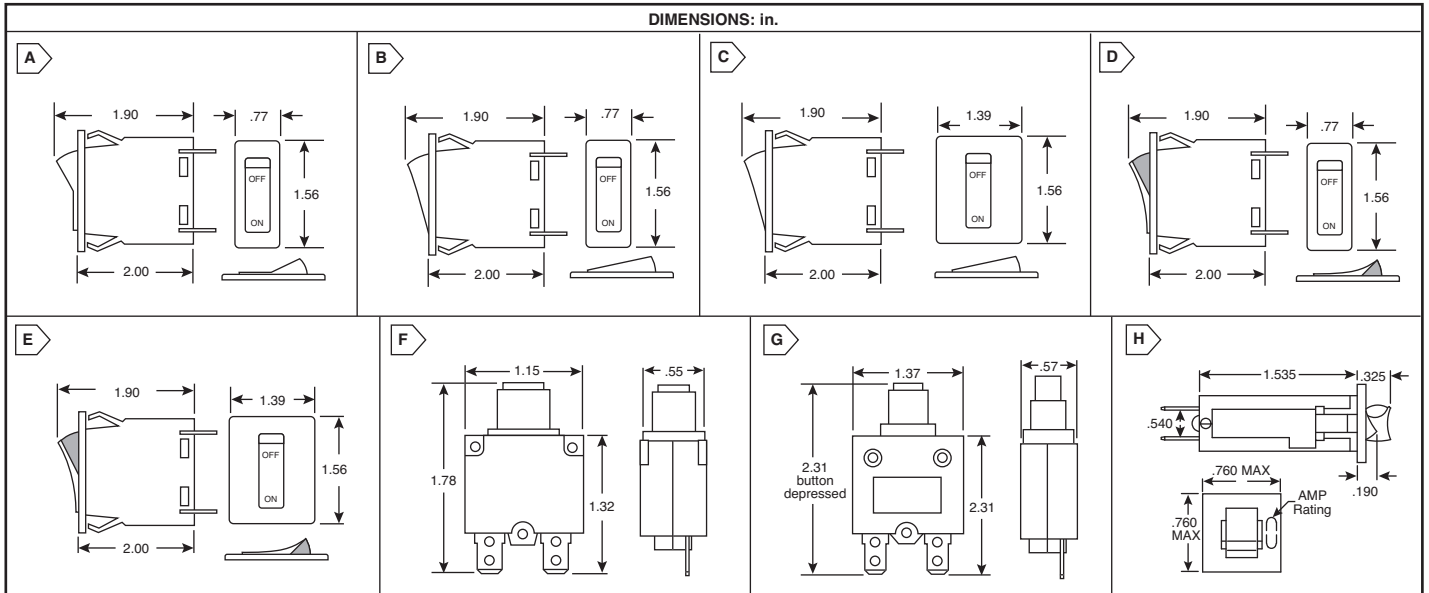


# CARLING TECHNOLOGIES Circuit Protection



## CARLING M SERIES: MINIATURE CIRCUIT BREAKERS

- Type: Hydraulic/Magnetic
- Circuit: Series Trip (Current Coil)
- Actuator/Legend color: Black/White
- Snap-in front panel mounting
- Frequency and Delay: DC, 50/60Hz Medium
- Terminal: Push-On 0.250 Tab (Q.C.)
- Bezel Color: Black



For quantities of 100 and up, call for quote.

MOUSER STOCK NO.	Carling Technologies Part No.	Fig.	Pole	Coil Rating	Price Each			
					1	10	25	50
691-MA1B344501A26BC	MA1-B-34-450-1-A26-B-C	A	1	5 A	16.34	14.00	12.84	11.38
691-MA1B346101A26BC	MA1-B-34-610-1-A26-B-C	A	1	10 A	17.37	15.86	14.35	12.84
691-MA1B346151A26BC	MA1-B-34-615-1-A26-B-C	A	1	15 A	17.88	16.33	14.77	13.22
691-MA1B346201A26BC	MA1-B-34-620-1-A26-B-C	A	1	20 A	17.37	15.86	14.35	12.84
691-MA1B346251A26BC	MA1-B-34-625-1-A26-B-C	A	1	25 A	20.13	18.38	14.44	13.30
691-MA1B344501A12BC	MA1-B-34-450-1-A12-B-C	A	1	5 A	21.01	14.88	13.74	12.25
691-MA1B344751A12BC	MA1-B-34-475-1-A12-B-C	A	1	7.5 A	21.01	14.88	13.74	12.25
691-MA1B346101A12BC	MA1-B-34-610-1-A12-B-C	A	1	10 A	21.01	14.88	13.74	12.25
691-MA1B346151A12BC	MA1-B-34-615-1-A12-B-C	A	1	15 A	21.01	14.88	13.74	12.25
691-MA1B346201A12BC	MA1-B-34-620-1-A12-B-C	A	1	20 A	21.01	14.88	13.74	12.25
691-MA1B346251A12BC	MA1-B-34-625-1-A12-B-C	A	1	25 A	21.01	14.88	13.74	12.25
691-MB1B344501A26BC	MB1-B-34-450-1-A26-B-C	B	1	5 A	21.01	14.88	13.74	12.25
691-MB1B346101A26BC	MB1-B-34-610-1-A26-B-C	B	1	10 A	21.01	14.88	13.74	12.25
691-MB1B346151A26BC	MB1-B-34-615-1-A26-B-C	B	1	15 A	21.01	14.88	13.74	12.25
691-MB1B346201A26BC	MB1-B-34-620-1-A26-B-C	B	1	20 A	21.01	14.88	13.74	12.25
691-MB1B346251A26BC	MB1-B-34-625-1-A26-B-C	B	1	25 A	21.01	14.88	13.74	12.25
691-MB1B344501A27BC	MB1-B-34-450-1-A27-B-C	B	1	5 A	13.87	12.66	11.46	10.25
691-MB1B346101A27BC	MB1-B-34-610-1-A27-B-C	B	1	10 A	23.53	21.57	20.43	18.96
691-MB1B346151A27BC	MB1-B-34-615-1-A27-B-C	B	1	15 A	18.38	15.75	14.44	12.25
691-MB1B346201A27BC	MB1-B-34-620-1-A27-B-C	B	1	20 A	18.38	15.75	14.44	12.25
691-MB1B346251A27BC	MB1-B-34-625-1-A27-B-C	B	1	25 A	20.12	19.26	18.38	15.75
691-MB2B344201A24BC	MB2-B-34-420-1-A24-B-C	C	2	2 A	45.13	31.97	29.52	26.33
691-MB2B344701A24BC	MB2-B-34-470-1-A24-B-C	C	2	7 A	45.13	31.97	29.52	26.33
691-MB2B346101A24BC	MB2-B-34-610-1-A24-B-C	C	2	10 A	45.13	31.97	29.52	26.33
691-MB2B346151A24BC	MB2-B-34-615-1-A24-B-C	C	2	15 A	45.13	31.97	29.52	26.33
691-MB2B346101A27BC	MB2-B-34-610-1-A27-B-C	C	2	10 A	47.01	45.14	43.26	41.37
691-MB2B346151A27BC	MB2-B-34-615-1-A27-B-C	C	2	15 A	43.24	41.37	39.49	35.73
691-MB2B346201A27BC	MB2-B-34-620-1-A27-B-C	C	2	20 A	45.13	31.97	29.52	26.33
691-MB2B346251A27BC	MB2-B-34-625-1-A27-B-C	C	2	25 A	45.13	31.97	29.52	26.33

## CARLING M SERIES: MINIATURE CIRCUIT BREAKERS WITH VISI-ROCKER® AND ILLUMINATED ROCKER

- Type: Hydraulic/Magnetic
- Dual-color rocker actuator indicates ON mode.
- Snap-in front panel mounting
- Circuit: Series Trip (Current Coil)
- Frequency and Delay: DC, 50/60Hz Medium
- Terminal: Push-On 0.250 Tab (Q.C.)
- (Visi-Rocker) Indicator/Legend Color: Red
- (Visi-Rocker) color: Black
- (Visi-Rocker) Bezel Color: Black
- (Illuminated Rocker) color: Transparent red
- (Illuminated Rocker) illumination: Red LED (w/o resistor)
- (Illuminated Rocker) guard color: Gray



For quantities of 100 and up, call for quote.

MOUSER STOCK NO.	Carling Technologies Part No.	Fig.	Pole	Coil Rating	Price Each			
					1	10	25	50
<b>Visi-Rocker</b>								
691-MD1B346151A36BC	MD1-B-34-615-1-A36-B-C	D	1	15 A	18.67	18.67	18.06	17.80
691-MD2B346101A36BC	MD2-B-34-610-1-A36-B-C	E	2	10 A	43.10	37.48	33.73	31.86
691-MD2B346151A36BC	MD2-B-34-615-1-A36-B-C	E	2	15 A	36.60	35.00	34.75	32.02
<b>Illuminated Rocker</b>								
691-MF1B346101DB7BC	MF1-B-34-610-1-DB7-B-C	A	1	10 A	29.76	21.08	19.47	17.36
691-MF1B346151DB7BC	MF1-B-34-615-1-DB7-B-C	A	1	15 A	29.76	21.08	19.47	17.36
691-MF1B346201DB7BC	MF1-B-34-620-1-DB7-B-C	A	1	20 A	29.76	21.08	19.47	17.36



## CARLING CMB SERIES: THERMAL CIRCUIT PROTECTORS WITH PLASTIC BUSHING

### Specifications:

- Dielectric Strength: 1500 VAC/ 1 minute
- Interrupting Capacity: 1000 amps
- Resettable Overload Capacity: 10 x rated current
- Insulation Resistance: 100MΩ
- Operating Temperature: -10°C to 60°C

### Applications:

- Appliances
- Transportation
- Marine
- Telecommunications
- Power Strips
- A-V Equipment
- Medical Equipment
- Power Supplies



For quantities of 100 and up, call for quote.

MOUSER STOCK NO.	Carling Technologies Part No.	Fig.	Coil Rating	Price Each			
				1	10	25	50
691-CMB03311C3NBA	CMB-033-11-C-3-N-B-A	F	3 A	2.51	2.27	2.20	2.10
691-CMB04311C3NBA	CMB-043-11-C-3-N-B-A	F	4 A	2.51	2.36	2.23	2.06
691-CMB05311C3NBA	CMB-053-11-C-3-N-B-A	F	5 A	6.65	5.64	4.85	4.39
691-CMB06311C3NBA	CMB-063-11-C-3-N-B-A	F	6 A	2.23	1.84	1.72	1.66
691-CMB07311C3NBA	CMB-073-11-C-3-N-B-A	F	7 A	2.23	1.84	1.73	1.67
691-CMB10311C3NBA	CMB-103-11-C-3-N-B-A	F	10 A	2.23	1.84	1.73	1.67
691-CMB12311C3NBA	CMB-123-11-C-3-N-B-A	F	12 A	2.23	1.84	1.73	1.67
691-CMB13311C3NBA	CMB-133-11-C-3-N-B-A	F	13 A	2.23	1.84	1.72	1.66
691-CMB14311C3NBA	CMB-143-11-C-3-N-B-A	F	14 A	2.34	1.93	1.89	1.75
691-CMB15311C3NBA	CMB-153-11-C-3-N-B-A	F	15 A	2.09	1.72	1.62	1.57
691-CMB16311C3NBA	CMB-163-11-C-3-N-B-A	F	16 A	2.48	2.09	1.72	1.57
691-CMB20311C3NBA	CMB-203-11-C-3-N-B-A	F	20 A	2.09	1.72	1.62	1.57

## CARLING CLB SERIES: THERMAL CIRCUIT PROTECTORS WITH METAL BUSHING

### Specifications:

- Dielectric Strength: 1500 VAC/ 1 minute
- Interrupting Capacity: 1000 amps
- Resettable Overload Capacity: 10 x rated current
- Insulation Resistance: 100MΩ
- Operating Temperature: -10°C to 60°C

### Applications:

- Appliances
- Transportation
- Marine
- Telecommunications
- Power Strips
- A-V Equipment
- Medical Equipment
- Power Supplies



For quantities of 100 and up, call for quote.

MOUSER STOCK NO.	Carling Technologies Part No.	Fig.	Coil Rating	Price Each			
				1	10	25	50
691-CLB03311B3ABA	CLB-033-11-B-3-A-B-A	G	3 A	2.95	2.44	2.32	2.22
691-CLB04311B3ABA	CLB-043-11-B-3-A-B-A	G	4 A	2.95	2.44	2.32	2.22
691-CLB05311B3ABA	CLB-053-11-B-3-A-B-A	G	5 A	4.05	3.85	3.04	2.86
691-CLB06311B3ABA	CLB-063-11-B-3-A-B-A	G	6 A	2.44	2.02	1.89	1.84
691-CLB07311B3ABA	CLB-073-11-B-3-A-B-A	G	7 A	2.44	2.02	1.89	1.84
691-CLB10311B3ABA	CLB-103-11-B-3-A-B-A	G	10 A	2.44	2.02	1.92	1.84
691-CLB12311B3ABA	CLB-123-11-B-3-A-B-A	G	12 A	2.78	2.30	2.18	2.09
691-CLB13311B3ABA	CLB-133-11-B-3-A-B-A	G	13 A	3.01	2.49	2.36	2.26
691-CLB15311B3ABA	CLB-153-11-B-3-A-B-A	G	15 A	3.01	2.49	2.36	2.26
691-CLB20311B3ABA	CLB-203-11-B-3-A-B-A	G	20 A	3.01	2.49	2.36	2.26
691-CLB25311B3ABA	CLB-253-11-B-3-A-B-A	G	25 A	3.69	3.05	2.92	2.77
691-CLB30311B3ABA	CLB-303-11-B-3-A-B-A	G	30 A	3.48	2.87	2.81	2.61
691-CLB35311B3ABA	CLB-353-11-B-3-A-B-A	G	35 A	3.48	2.87	2.81	2.61
691-CLB40311B3ABA	CLB-403-11-B-3-A-B-A	G	40 A	3.47	2.86	2.80	2.60

## CARLING CTB SERIES: PANEL MOUNT ROCKER THERMAL CIRCUIT PROTECTORS

### Specifications:

- Dielectric Strength: 1500 VAC/ 1 minute
- Interrupting Capacity: 1000 amps
- Resettable Overload Capacity: 10 x rated current
- Insulation Resistance: 100MΩ
- Operating Temperature: -10°C to 60°C

### Applications:

- Appliances
- Transportation
- Marine
- Power Strips
- A-V Equipment
- Medical Equipment
- Power Supplies
- Exercise Equipment



For quantities of 100 and up, call for quote.

MOUSER STOCK NO.	Carling Technologies Part No.	Fig.	Coil Rating	Price Each			
				1	10	25	50
691-CTB-B-03	CTB-B-B-03	H	3 A	2.09	1.72	1.62	1.57
691-CTB-B-05	CTB-B-B-05	H	5 A	2.09	1.72	1.62	1.57
691-CTB-B-06	CTB-B-B-06	H	6 A	2.09	1.72	1.62	1.57
691-CTB-B-07	CTB-B-B-07	H	7 A	2.09	1.72	1.62	1.57
691-CTB-B-08	CTB-B-B-08	H	8 A	2.09	1.72	1.62	1.57
691-CTB-B-10	CTB-B-B-10	H	10 A	1.89	1.62	1.49	1.26
691-CTB-B-12	CTB-B-B-12	H	12 A	1.80	1.62	1.49	1.26
691-CTB-B-15	CTB-B-B-15	H	15 A	1.89	1.62	1.49	1.26