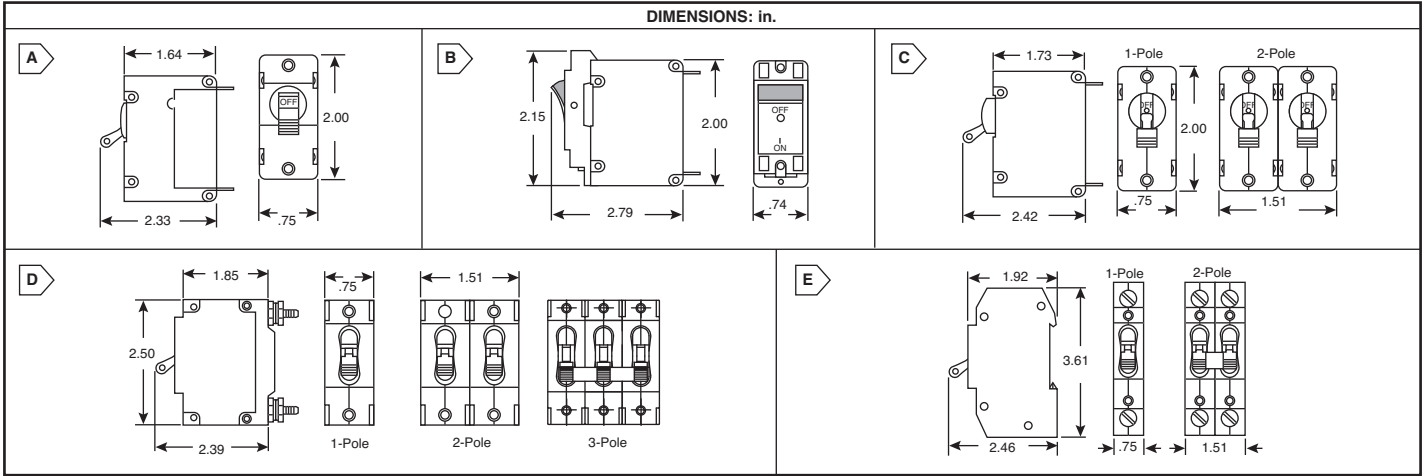


# CARLING TECHNOLOGIES Circuit Breakers



## CARLING A SERIES: CIRCUIT BREAKERS WITH HANDLE ACTUATOR

- Type: Hydraulic/Magnetic
- Circuit: Series Trip (Current)
- Poles: One
- Frequency & Delay: DC, 50/60Hz Medium
- Actuator/Legend color: Black/White
- Terminal: 10-30 A rating - Screw 8-32 (bus type); 50 A rating - Screw 10-32 (bus type)
- Mounting: Threaded insert 6-32 x 0.195" deep, 2/pole



For quantities of 100 and up, call for quote.

MOUSER STOCK NO.	Carling Technologies Part No.	Fig.	Coil Rating	Price Each			
				1	10	25	50
691-AA1B0346103B1C	AA1-B0-34-610-3B1-C	A	10 A	23.55	16.68	15.41	13.74
691-AA1B0346153B1C	AA1-B0-34-615-3B1-C	A	15 A	23.55	16.68	15.41	13.74
691-AA1B0346203B1C	AA1-B0-34-620-3B1-C	A	20 A	23.55	16.68	15.41	13.74
691-AA1B0346253B1C	AA1-B0-34-625-3B1-C	A	25 A	23.55	16.68	15.41	13.74
691-AA1B0346303B1C	AA1-B0-34-630-3B1-C	A	30 A	23.55	16.68	15.41	13.74
691-AA1B0346505B1C	AA1-B0-34-650-5B1-C	A	50 A	23.55	16.68	15.41	13.74

## CARLING C SERIES: CIRCUIT BREAKERS WITH HANDLE ACTUATOR

- Type: Hydraulic/Magnetic
- Max. interrupting capacity: 10,000 Amps
- Circuit: Series Trip (Current)
- Poles: CA1 - 1 pole; CA2 - 2 poles
- Actuator/Legend color: Black/White
- Frequency and Delay: DC, 50/60Hz Medium
- Actuator: Handle, 1 per pole
- Terminal: 10-32 THD Stud, .625 long
- Voltage: <300
- Approvals: All - UL489 listed; UL Recognized; CSA & VDE Certified



Designed for applications requiring higher amperage and voltage handling capabilities.

For quantities of 100 and up, call for quote.

MOUSER STOCK NO.	Carling Technologies Part No.	Fig.	Coil Rating	Price Each			
				1	10	25	50
691-CA1B034450121D	CA1-B0-34-450-121-D	D	5 A	27.53	19.50	18.01	16.06
691-CA1B034610121D	CA1-B0-34-610-121-D	D	10 A	27.53	19.50	18.01	16.06
691-CA1B034615121D	CA1-B0-34-615-121-D	D	15 A	27.53	19.50	18.01	16.06
691-CA1B034620121D	CA1-B0-34-620-121-D	D	20 A	27.53	19.50	18.01	16.06
691-CA1B034630121D	CA1-B0-34-630-121-D	D	30 A	27.53	19.50	18.01	16.06
691-CA1B034640121D	CA1-B0-34-640-121-D	D	40 A	27.53	19.50	18.01	16.06
691-CA1B034650121D	CA1-B0-34-650-121-D	D	50 A	27.53	19.50	18.01	16.06
691-CA2B034450121D	CA2-B0-34-450-121-D	D	5 A	75.48	53.47	49.38	44.03
691-CA2B034610121D	CA2-B0-34-610-121-D	D	10 A	75.48	53.47	49.38	44.03
691-CA2B034615121D	CA2-B0-34-615-121-D	D	15 A	75.48	53.47	49.38	44.03
691-CA2B034620121D	CA2-B0-34-620-121-D	D	20 A	75.48	53.47	49.38	44.03
691-CA2B034630121D	CA2-B0-34-630-121-D	D	30 A	75.48	53.47	49.38	44.03
691-CA2B034640121D	CA2-B0-34-640-121-D	D	40 A	75.48	53.47	49.38	44.03
691-CA2B034650121D	CA2-B0-34-650-121-D	D	50 A	75.48	53.47	49.38	44.03
691-CA3B034450121D	CA3-B0-34-450-121-D	D	5 A	105.00	75.60	69.30	60.90
691-CA3B034610121D	CA3-B0-34-610-121-D	D	10 A	104.28	94.80	85.32	75.84
691-CA3B034615121D	CA3-B0-34-615-121-D	D	15 A	124.00	88.88	82.22	71.00
691-CA3B034620121D	CA3-B0-34-620-121-D	D	20 A	104.98	75.58	69.28	64.50
691-CA3B034630121D	CA3-B0-34-630-121-D	D	30 A	109.04	95.56	94.82	90.08
691-CA3B034640121D	CA3-B0-34-640-121-D	D	40 A	105.00	75.60	69.30	64.50
691-CA3B034650121D	CA3-B0-34-650-121-D	D	50 A	109.87	84.34	79.38	68.54

## CARLING A SERIES: CIRCUIT BREAKERS WITH VISI-ROCKER® ACTUATOR

- Type: Hydraulic/Magnetic
- Dual-color rocker actuator indicates either ON mode for AC1 items or TRIPPED/OFF mode for AF1 items
- Indicator/Legend Color: Red
- Rocker color: Black
- Circuit: Series Trip (Current)
- Poles: One
- Frequency and Delay: DC, 50/60Hz Medium
- Terminal: Push-On 0.250 Tab (Q.C.)
- Mounting: Thread Insert 6-32 x 0.195" deep
- Approvals: D suffix - UL Rec.; CSA & VDE Certified
- C suffix: UL Recognized; CSA Certified



For quantities of 100 and up, call for quote.

MOUSER STOCK NO.	Carling Technologies Part No.	Fig.	Coil Rating	Price Each			
				1	10	25	50
691-AC1B034610131D	AC1-B0-34-610-131-D	B	10 A	27.29	19.33	17.85	15.92
691-AC1B034615131D	AC1-B0-34-615-131-D	B	15 A	27.29	19.33	17.85	15.92
691-AC1B034620131D	AC1-B0-34-620-131-D	B	20 A	27.29	19.33	17.85	15.92
691-AC1B034630131D	AC1-B0-34-630-131-D	B	30 A	27.29	19.33	17.85	15.92
691-AC1B0344501G1C	AC1-B0-34-450-1G1-C	B	5 A	27.29	19.33	17.85	15.92
691-AC1B0346101G1C	AC1-B0-34-610-1G1-C	B	10 A	27.29	19.33	17.85	15.92
691-AC1B0346151G1C	AC1-B0-34-615-1G1-C	B	15 A	27.29	19.33	17.85	15.92
691-AC1B0346201G1C	AC1-B0-34-620-1G1-C	B	20 A	27.29	19.33	17.85	15.92
691-AC1B0346251G1C	AC1-B0-34-625-1G1-C	B	25 A	27.29	19.33	17.85	15.92
691-AC1B0346301G1C	AC1-B0-34-630-1G1-C	B	30 A	27.29	19.33	17.85	15.92
691-AF1B0346201G1C	AF1-B0-34-620-1G1-C	B	20 A	27.29	19.33	17.85	15.92
691-AF1B0346251G1C	AF1-B0-34-625-1G1-C	B	25 A	27.29	19.33	17.85	15.92
691-AF1B0346301G1C	AF1-B0-34-630-1G1-C	B	30 A	27.29	19.33	17.85	15.92

## CARLING B SERIES: CIRCUIT BREAKERS WITH HANDLE ACTUATOR

- Type: Hydraulic/Magnetic
- Actuator: Handle, one per pole
- Poles: BA1 - 1 pole; BA2 - 2 poles
- Circuit: Series Trip (Current)
- Actuator/Legend color: Black/White
- Frequency and Delay: DC, 50/60Hz Medium
- Terminal: Push-On 0.250 Tab (Q.C.)
- Approvals: D suffix - UL Recognized; CSA & VDE Certified
- C suffix: UL Recognized; CSA Certified



For quantities of 100 and up, call for quote.

MOUSER STOCK NO.	Carling Technologies Part No.	Fig.	Coil Rating	Price Each			
				1	10	25	50
691-BA1B034425121D	BA1-B0-34-425-121-D	C	2.5 A	22.00	15.58	14.39	12.83
691-BA1B034450121D	BA1-B0-34-450-121-D	C	5 A	22.00	15.58	14.39	12.83
691-BA1B034610121D	BA1-B0-34-610-121-D	C	10 A	22.00	15.58	14.39	12.83
691-BA1B034615121D	BA1-B0-34-615-121-D	C	15 A	22.00	15.58	14.39	12.83
691-BA1B034620121D	BA1-B0-34-620-121-D	C	20 A	22.00	15.58	14.39	12.83
691-BA1B034630121C	BA1-B0-34-630-121-C	C	30 A	16.62	11.77	10.87	9.70
691-BA2B034425121D	BA2-B0-34-425-121-D	C	2.5 A	56.21	39.82	36.77	32.79
691-BA2B034450121D	BA2-B0-34-450-121-D	C	5 A	56.21	39.82	36.77	32.79
691-BA2B034610121D	BA2-B0-34-610-121-D	C	10 A	56.21	39.82	36.77	32.79
691-BA2B034615121D	BA2-B0-34-615-121-D	C	15 A	56.21	39.82	36.77	32.79
691-BA2B034620121D	BA2-B0-34-620-121-D	C	20 A	56.21	39.82	36.77	32.79
691-BA2B034630121C	BA2-B0-34-630-121-C	C	30 A	56.21	39.82	36.77	32.79

## C-Series with Push-In Stud Terminals Removal Tool



For quantities of 100 and up, call for quote.

MOUSER STOCK NO.	Carling Technologies Part No.	Description	Price Each
691-8C1-X0-08-639	8C1-X0-08-639	Removal Tool, C Series	20.02

## CARLING D SERIES: DIN RAIL MOUNT CIRCUIT BREAKERS

- Type: Hydraulic/Magnetic
- Circuit: Series Trip (Current)
- Poles: DA1 - 1 pole; DA2 - 2 poles
- Actuator/Legend color: Black/White
- Actuator: Handle, one per pole
- Frequency and Delay: DC, 50/60Hz Medium
- Terminal: Captured #10 Screw & Pressure Plate for Direct Wire or Fork Terminal Connection.



For quantities of 100 and up, call for quote.

MOUSER STOCK NO.	Carling Technologies Part No.	Fig.	Coil Rating	Price Each			
				1	10	25	50
691-DA1B034450121C	DA1-B0-34-450-121-C	E	5 A	32.13	22.76	21.02	18.74
691-DA1B034610121C	DA1-B0-34-610-121-C	E	10 A	32.13	22.76	21.02	18.74
691-DA1B034615121C	DA1-B0-34-615-121-C	E	15 A	32.13	22.76	21.02	18.74
691-DA1B034620121C	DA1-B0-34-620-121-C	E	20 A	32.13	22.76	21.02	18.74
691-DA2B034450121C	DA2-B0-34-450-121-C	E	5 A	84.56	59.90	55.32	49.33
691-DA2B034610121C	DA2-B0-34-610-121-C	E	10 A	84.56	59.90	55.32	49.33
691-DA2B034615121C	DA2-B0-34-615-121-C	E	15 A	84.56	59.90	55.32	49.33
691-DA2B034620121C	DA2-B0-34-620-121-C	E	20 A	84.56	59.90	55.32	49.33

