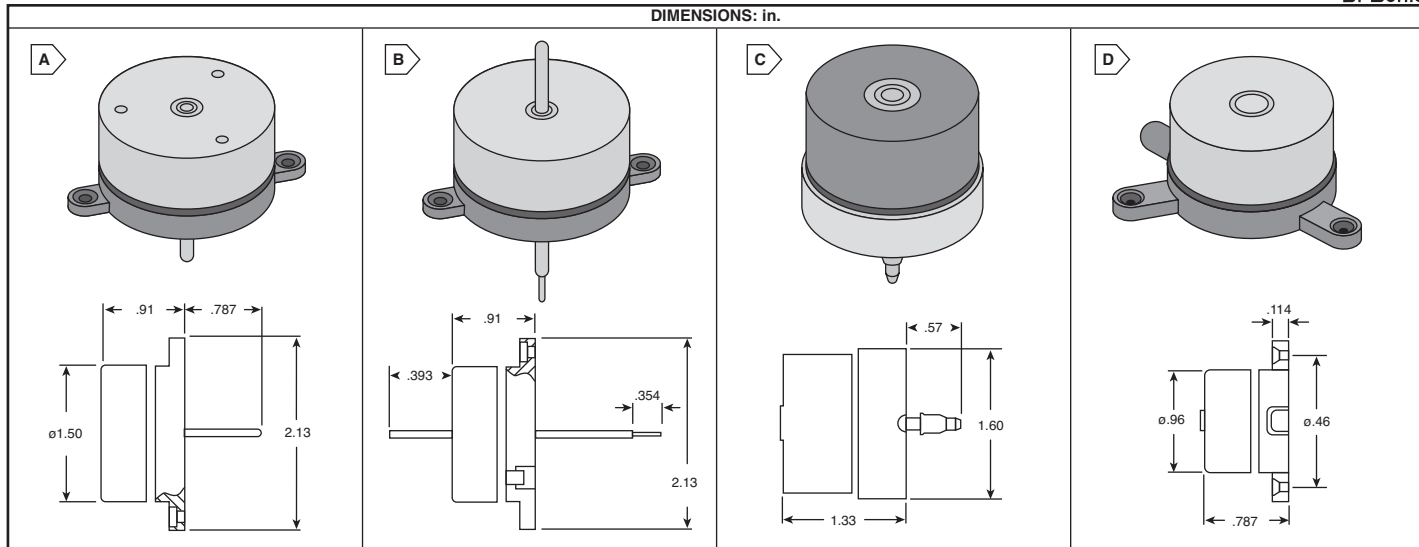


# BI-SONIC DC Brushless Motors



Bi-Sonic

DIMENSIONS: in.



## JIB SERIES

### Electrical Specifications:

- Insulation Resistance: 500VDC 10MΩ min
- Dielectric Strength: 500VAC 60Hz for 1 min

### Mechanical Specifications:

- Operating Temperature: -10° to +70°C
- Weight: 60 grams

For quantities of 100 and up, call for quote.

MOUSER STOCK NO.	Bi-Sonic Part No.	Fig.	Rated Voltage (VDC)	Rated Current (A)	Rated Input Power (W)	Speed (R.P.M.)	Price Each			
							1	10	25	50
<b>Operating Voltage Range: 10.2~13.8</b>										
433-JIB0412LL	JIB0412LL	A	12	0.11	1.32	4900	21.26	17.71	16.10	14.64
433-JIB0412LM	JIB0412LM	A	12	0.12	1.44	5700	21.26	17.71	16.10	14.64
433-JIB0412LH	JIB0412LH	A	12	0.14	1.68	6400	21.26	17.71	16.10	14.64
433-JIB0412RL	JIB0412RL	A	12	0.11	1.32	4900	21.26	17.71	16.10	14.64
433-JIB0412RM	JIB0412RM	A	12	0.12	1.44	5700	21.26	17.71	16.10	14.64
433-JIB0412RH	JIB0412RH	A	12	0.14	1.68	6400	21.26	17.71	16.10	14.64
<b>Operating Voltage Range: 20.4~27.6</b>										
433-JIB0424LL	JIB0424LL	A	24	0.1	2.4	4900	21.66	18.05	16.41	14.88
433-JIB0424LM	JIB0424LM	A	24	0.12	2.88	5700	21.66	18.05	16.41	14.88
433-JIB0424LH	JIB0424LH	A	24	0.1	2.4	6200	21.66	18.05	16.41	14.88
433-JIB0424RL	JIB0424RL	A	24	0.1	2.4	4900	21.66	18.05	16.41	14.88
433-JIB0424RM	JIB0424RM	A	24	0.12	2.88	5700	21.66	18.05	16.41	14.88
433-JIB0424RH	JIB0424RH	A	24	0.13	3.12	6400	21.66	18.05	16.41	14.88

## RMB SERIES

### Electrical Specifications:

- Operating Voltage Range: 10.2~13.8
- Insulation Resistance: 500VDC 10MΩ min
- Dielectric Strength: 500VAC 60Hz for 1 min

### Mechanical Specifications:

- Operating Temperature: -10° to +70°C
- Weight: 60 grams

For quantities of 100 and up, call for quote.

MOUSER STOCK NO.	Bi-Sonic Part No.	Fig.	Rated Voltage (VDC)	Rated Current (A)	Rated Input Power (W)	Speed (R.P.M.)	Price Each			
							1	10	25	50
433-RMB0212B	RMB0212B	B	12	0.08	0.96	4200	32.32	26.93	24.49	22.26

## QMB SERIES

### Electrical Specifications:

- Insulation Resistance: 500VDC 10MΩ min
- Dielectric Strength: 500VAC 60Hz for 1 min

### Mechanical Specifications:

- Operating Temperature: -10° to +70°C
- Weight: 140 grams

For quantities of 100 and up, call for quote.

MOUSER STOCK NO.	Bi-Sonic Part No.	Fig.	Rated Voltage (VDC)	Rated Current (A)	Rated Input Power (W)	Speed (R.P.M.)	Price Each			
							1	10	25	50
<b>Operating Voltage Range: 10.2~13.8</b>										
433-QMB-12	QMB-12	C	12	0.07	0.84	2600	36.07	30.06	27.32	24.84
<b>Operating Voltage Range: 20.4~27.6</b>										
433-QMB-24	QMB-24	C	24	0.1	2.4	5800	36.07	30.06	27.32	24.84
<b>Operating Voltage Range: 40.8~55.2</b>										
433-QMB-48	QMB-48	C	48	0.11	5.28	6200	36.07	30.06	27.32	24.84

## MS SERIES

### Electrical Specifications:

- Operating Voltage Range: 4.0~6.0
- Insulation Resistance: 500VDC 10MΩ min
- Dielectric Strength: 500VAC 60Hz for 1 min

### Mechanical Specifications:

- Operating Temperature: -10° to +70°C
- Weight: 25 grams

For quantities of 100 and up, call for quote.

MOUSER STOCK NO.	Bi-Sonic Part No.	Fig.	Rated Voltage (VDC)	Rated Current (A)	Rated Input Power (W)	Speed (R.P.M.)	Price Each			
							1	10	25	50
433-MS-6700	MS-6700	D	4	0.035	0.14	3600	31.45	26.21	23.83	21.66