

OPTEK Optocouplers



A subsidiary of TT electronics plc

OPTEK's expanded optocoupler product line includes both analog and digital output devices that provide isolation for high voltage power systems. The UL- and VDE-certified optocouplers can be specified for use in a variety of applications including telecommunications, Internet devices, computer systems, home appliances, industrial, medical, security and consumer electronics.

Manufacturer Part Number Suffix
TR = Tape and Reel Package
TU = Tube Package

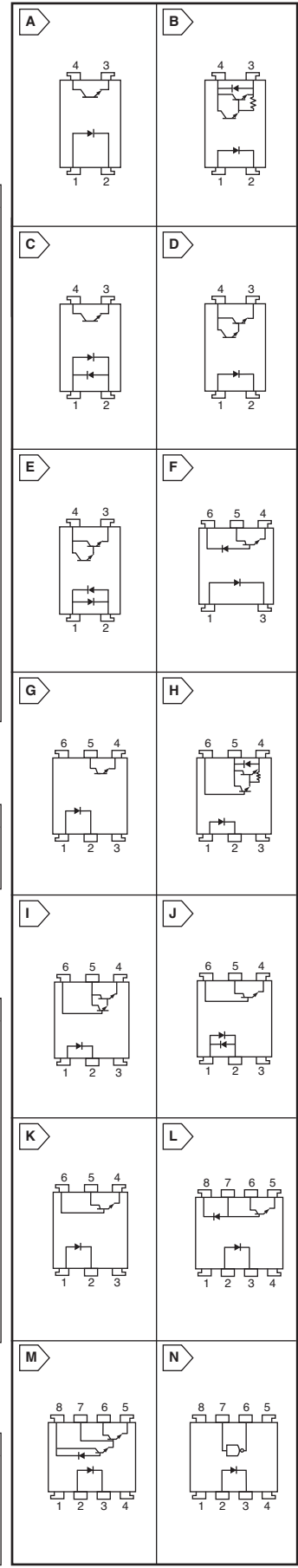
Opto Components

Optek

OPIA 4 SERIES

For quantities of 500 and up, call for quote.

MOUSER STOCK NO.	Optek Part No.	Fig.	Package Type	Input Current	Typical Rise/Fall (uSEC)	Isolation Voltage (Vrms)	Price Each			
							1	10	100	250
828-OPIA400ATR	OPIA400ATR	A	SO-4	50mA	4/3	5000	.27	.22	.19	.175
828-OPIA400ATU	OPIA400ATU	A	SO-4	50mA	4/3	5000	.24	.22	.18	.16
828-OPIA400DTU	OPIA400DTU	A	DIP-4	50mA	4/3	5000	.24	.22	.18	.16
828-OPIA404BTR	OPIA404BTR	A	SO-4	50mA	5/4	3750	.35	.29	.24	.22
828-OPIA404BTU	OPIA404BTU	A	SO-4	50mA	5/4	3750	.32	.29	.24	.22
828-OPIA405CTU	OPIA405CTU	A	SO-4	50mA	3/5	2500	.38	.34	.28	.259
828-OPIA413ATR	OPIA413ATR	A	SO-4	50mA	2/3	5000	1.11	.92	.779	.717
828-OPIA413ATU	OPIA413ATU	A	SO-4	50mA	2/3	5000	1.08	.97	.80	.74
828-OPIA413DTU	OPIA413DTU	A	DIP-4	50mA	2/3	5000	1.08	.97	.80	.74
828-OPIA414BTR	OPIA414BTR	A	SO-4	10mA	4/3	3750	1.27	1.05	.89	.82
828-OPIA414BTU	OPIA414BTU	A	SO-4	10mA	4/3	3750	1.24	1.12	.92	.85
828-OPIA401BTR	OPIA401BTR	B	SO-4	50mA	100/20	3750	.84	.69	.58	.54
828-OPIA401BTU	OPIA401BTU	B	SO-4	50mA	100/20	3750	.81	.73	.60	.55
828-OPIA409CTU	OPIA409CTU	B	SO-4	50mA	40/10	2500	1.19	1.07	.88	.81
828-OPIA412ATR	OPIA412ATR	B	SO-4	50mA	60/50	5000	.65	.54	.45	.42
828-OPIA412ATU	OPIA412ATU	B	SO-4	50mA	60/50	5000	.62	.56	.46	.42
828-OPIA412DTU	OPIA412DTU	B	DIP-4	50mA	60/50	5000	.62	.56	.46	.42
828-OPIA402BTR	OPIA402BTR	C	SO-4	50mA	4/3	3750	.59	.49	.41	.38
828-OPIA402BTU	OPIA402BTU	C	SO-4	50mA	4/3	3750	.57	.51	.42	.38
828-OPIA407CTU	OPIA407CTU	C	SO-4	50mA	3/5	2500	.57	.51	.42	.38
828-OPIA410ATR	OPIA410ATR	C	SO-4	50mA	5/4	5000	.51	.42	.36	.33
828-OPIA410ATU	OPIA410ATU	C	SO-4	50mA	5/4	5000	.46	.41	.34	.31
828-OPIA410DTU	OPIA410DTU	C	DIP-4	50mA	5/4	5000	.46	.41	.34	.31
828-OPIA403BTR	OPIA403BTR	D	SO-4	50mA	60/53	3750	.65	.54	.45	.42
828-OPIA403BTU	OPIA403BTU	D	SO-4	50mA	60/53	3750	.62	.56	.46	.42
828-OPIA406CTU	OPIA406CTU	D	SO-4	50mA	200/200	2500	.78	.70	.58	.53
828-OPIA411ATR	OPIA411ATR	D	SO-4	50mA	80/72	5000	.65	.54	.45	.42
828-OPIA411ATU	OPIA411ATU	D	SO-4	50mA	80/72	5000	.62	.56	.46	.42
828-OPIA411DTU	OPIA411DTU	D	DIP-4	50mA	80/72	5000	.62	.56	.46	.42
828-OPIA408CTU	OPIA408CTU	E	SO-4	50mA	200/200	2500	1.03	.92	.76	.70



OPIA 5 SERIES

For quantities of 500 and up, call for quote.

MOUSER STOCK NO.	Optek Part No.	Fig.	Package Type	Input Current	Typical Rise/Fall (uSEC)	Isolation Voltage (Vrms)	Price Each			
							1	10	100	250
828-OPIA500BTR	OPIA500BTR	F	SO-5	25mA	0.8/0.8	3750	1.32	1.10	.93	.85
828-OPIA500BTU	OPIA500BTU	F	SO-5	25mA	0.8/0.8	3750	1.30	1.17	.96	.88

OPIA 6 SERIES

For quantities of 500 and up, call for quote.

MOUSER STOCK NO.	Optek Part No.	Fig.	Package Type	Input Current	Typical Rise/Fall (uSEC)	Isolation Voltage (Vrms)	Price Each			
							1	10	100	250
828-OPIA605ATR	OPIA605ATR	G	SO-6	50mA	4/3	5000	.46	.38	.32	.29
828-OPIA605ATU	OPIA605ATU	G	SO-6	50mA	4/3	5000	.43	.39	.32	.29
828-OPIA605DTU	OPIA605DTU	G	DIP-6	50mA	4/3	5000	.43	.39	.32	.29
828-OPIA601ATR	OPIA601ATR	H	SO-6	50mA	60/50	5000	.84	.69	.58	.54
828-OPIA601ATU	OPIA601ATU	H	SO-6	50mA	60/50	5000	.81	.73	.60	.55
828-OPIA601DTU	OPIA601DTU	H	DIP-6	50mA	60/50	5000	.81	.73	.60	.55
828-OPIA602ATR	OPIA602ATR	I	SO-6	50mA	5/60	5000	.62	.51	.43	.40
828-OPIA602ATU	OPIA602ATU	I	SO-6	50mA	5/60	5000	.65	.58	.48	.44
828-OPIA602DTU	OPIA602DTU	I	DIP-6	50mA	5/60	5000	.62	.56	.46	.42
828-OPIA604ATR	OPIA604ATR	J	SO-6	50mA	2/3	5000	.70	.58	.49	.45
828-OPIA604ATU	OPIA604ATU	J	SO-6	50mA	2/3	5000	.68	.61	.50	.46
828-OPIA604DTU	OPIA604DTU	J	DIP-6	50mA	2/3	5000	.68	.61	.50	.46
828-OPIA600ATR	OPIA600ATR	K	SO-6	50mA	5/4	5000	.35	.29	.24	.22
828-OPIA600ATU	OPIA600ATU	K	SO-6	50mA	5/4	5000	.32	.29	.24	.22
828-OPIA600DTU	OPIA600DTU	K	DIP-6	50mA	5/4	5000	.32	.29	.24	.22
828-OPIA603ATR	OPIA603ATR	K	SO-6	50mA	2/3	5000	1.24	1.03	.874	.805
828-OPIA603ATU	OPIA603ATU	K	SO-6	50mA	2/3	5000	1.22	1.09	.90	.83
828-OPIA603DTU	OPIA603DTU	K	DIP-6	50mA	2/3	5000	1.22	1.09	.90	.83

OPIA 8 SERIES

For quantities of 500 and up, call for quote.

MOUSER STOCK NO.	Optek Part No.	Fig.	Package Type	Input Current	Typical Rise/Fall (uSEC)	Isolation Voltage (Vrms)	Price Each			
							1	10	100	250
828-OPIA800DTU	OPIA800DTU	L	DIP-8	20mA	7/2	2500	1.00	.90	.74	.68
828-OPIA801DTU	OPIA801DTU	L	DIP-8	20mA	10/5	2500	1.00	.90	.74	.68
828-OPIA802DTU	OPIA802DTU	M	DIP-8	25mA	0.3/0.3	2500	1.00	.90	.74	.68
828-OPIA803DTU	OPIA803DTU	M	DIP-8	25mA	0.4/0.3	5000	1.00	.90	.74	.68
828-OPI804DTU	OPI804DTU	N	DIP-8	25mA	45/45	5000	1.08	.97	.80	.74

© Copyright 2009 Mouser Electronics

© Copyright 2009 Mouser Electronics

