

APPLIED MOTION Stepper Motors



STEP MOTORS

Size 14

Specifications:

- Operating Temp: -20°C to 50°C
- Lead wire gauge: 26AWG
- Insulation Class: 130°C Class B
- Radial Play: .0004 max @ 1 Lb.
- No. of Leads: 4
- Step Angle: 1.8

RoHS Compliant

For quantities of 10 and up, call for quote.

MOUSER STOCK NO.	Applied Motion Part No.	Fig.	Motor Connection	Motor Length (In.)	Min. Holding Torque (oz.-In.)	Volts (DC)	Amps	Ohms	mH	Rotor Inertia (oz-in ² /G-CM ²)	Price Each	
											1	5
834-5014-820	5014-820	A	Parallel	1.00	8.0	3.2	.35	8.5	8.0	0.051/9.3	62.29	57.50
834-5014-842	5014-842	A	Parallel	1.57	26.0	4.8	1.00	4.3	5.5	0.109/20	81.30	75.05
*834-5014-820D	5014-820D	A	Parallel	1.00	8.0	3.2	.35	8.5	8.0	0.051/9.3	66.63	61.51
*834-5014-842D	5014-842D	A	Parallel	1.57	26.0	4.8	1.00	4.3	5.5	0.109/20	85.58	79.00

*Features a double shaft

Size 23

Specifications:

- Operating Temp: -20°C to 50°C
- Lead wire gauge: 22AWG
- Insulation Class: 130°C Class B
- Radial Play: .001 max @ 1Lb.
- No. of Leads: 6
- Step Angle: 1.8
- Motor Connections: Series, Parallel and Unipolar (Series specifications listed below)

For quantities of 10 and up, call for quote.

MOUSER STOCK NO.	Applied Motion Part No.	Fig.	Motor Connection	Motor Length (In.)	Min. Holding Torque (oz.-In.)	Volts (DC)	Amps	Ohms	mH	Rotor Inertia (oz-in ² /G-CM ²)	Price Each	
											1	5
834-4023-819	4023-819	B	Series	2.00	74.9	7.2	.71	10.2	40.0	.0547/100	88.40	83.98
834-4023-820	4023-820	B	Series	2.00	74.9	1.8	2.76	.7	1.4	0.547/100	80.00	76.00
834-4023-830	4023-830	B	Series	3.00	141.0	6.6	1.27	5.2	20.0	1.28/234	105.00	99.75
*834-4023-820D	4023-820D	B	Series	2.00	74.9	1.8	2.76	.7	1.4	0.547/100	84.85	80.60
834-HT11-013D	HT11-013D	C	Parallel	1.87	15.0	2.0	1.0	2.0	2.6	.098/18	90.15	88.00

*Features a double shaft

HIGH-TORQUE STEP MOTORS

Size HT08

Specifications:

- Operating Temp: -20°C to 50°C
- Lead wire gauge: 26AWG
- Insulation Class: 130°C Class B (HT08-020)
- Radial Play: .001 max @ 1.1 Lb.
- Step Angle: 1.8
- No. of Leads: 4

RoHS Compliant

For quantities of 10 and up, call for quote.

MOUSER STOCK NO.	Applied Motion Part No.	Fig.	Motor Connection	Motor Length (In.)	Min. Holding Torque (oz.-In.)	Volts (DC)	Amps	Ohms	mH	Rotor Inertia (oz-in ² /G-CM ²)	Price Each	
											1	5
834-HT08-020	HT08-020	C	Bi-polar	1.18	2.4	2.8	.35	8.5	3.4	0.01/1.9	70.72	66.56

Size HT11

Specifications:

- Operating Temp: -20°C to 50°C
- Lead wire gauge: 26AWG
- Insulation Class: 130°C Class B
- Radial Play: .001 max @ 1.1 Lb.
- Step Angle: 1.8
- No. of Leads: 4

RoHS Compliant

For quantities of 10 and up, call for quote.

MOUSER STOCK NO.	Applied Motion Part No.	Fig.	Motor Connection	Motor Length (In.)	Min. Holding Torque (oz.-In.)	Volts (DC)	Amps	Ohms	mH	Rotor Inertia (oz-in ² /G-CM ²)	Price Each	
											1	5
834-HT11-012	HT11-012	C	Parallel	1.32	7.0	1.4	1.00	1.4	1.4	.044/8	79.45	75.88
834-HT11-013	HT11-013	C	Parallel	1.87	15.0	2.0	1.00	2.0	2.6	.098/18	95.16	92.18
*834-HT11-013D	HT11-013D	C	Parallel	1.87	15.0	2.0	1.00	2.0	2.6	.098/18	90.15	88.00

Size HT17

Specifications:

- Operating Temp: -20°C to 50°C
- Lead wire gauge: 22AWG
- Insulation Class: 130°C Class B
- Step Angle: 1.8
- No. of Leads: 8
- Radial Play: .001 max @ 1.1 Lb.
- Motor connections: Series, Parallel, and Unipolar (Series specifications listed below)

RoHS Compliant

For quantities of 10 and up, call for quote.

MOUSER STOCK NO.	Applied Motion Part No.	Fig.	Motor Connection	Motor Length (In.)	Min. Holding Torque (oz.-In.)	Volts (DC)	Amps	Ohms	mH	Rotor Inertia (oz-in ² /G-CM ²)	Price Each	
											1	5
834-HT17-068	HT17-068	D	Series	1.30	31.4	5.7	.70	8.4	11.2	.190/35.0	56.16	54.40
*834-HT17-068D	HT17-068D	D	Series	1.30	31.4	5.7	.70	8.4	11.2	.190/35.0	57.12	53.76
834-HT17-071	HT17-071	D	Series	1.54	51.0	5.7	.85	6.6	14.4	.29/54.0	59.28	57.42
834-HT17-075	HT17-075	D	Series	1.85	62.8	5.7	.85	6.6	12.0	.37/68.0	69.68	67.50
*834-HT17-075D	HT17-075D	D	Series	1.85	62.8	5.7	.85	6.6	12	.37/68.0	72.00	64.70

*Features a double shaft

Size HT23

Specifications:

- Operating Temp: -20°C to 50°C
- Lead wire gauge: 22AWG
- Insulation Class: 130°C Class B
- Step Angle: 1.8
- No. of Leads: 8
- Radial Play: .001 max @ 1.1 Lb.
- Motor connections: Series, Parallel, and Unipolar (Series specifications listed below)

RoHS Compliant

For quantities of 10 and up, call for quote.

MOUSER STOCK NO.	Applied Motion Part No.	Fig.	Motor Connection	Motor Length (In.)	Min. Holding Torque (oz.-In.)	Volts (DC)	Amps	Ohms	mH	Rotor Inertia (oz-in ² /G-CM ²)	Price Each	
											1	5
834-HT23-393	HT23-393	E	Series	1.54	76.6	7.4	.71	10.4	21.6	0.66/120	84.24	81.60
834-HT23-394	HT23-394	E	Series	1.54	76.6	4.0	1.41	2.8	5.6	0.66/120	94.00	89.30
834-HT23-397	HT23-397	E	Series	2.13	177.0	5.1	1.4	3.6	10.0	1.64/300	94.00	89.30
*834-HT23-397D	HT23-397D	E	Series	2.13	177.0	5.1	1.4	3.6	10.0	1.64/300	95.00	90.30
834-HT23-398	HT23-398	E	Series	2.13	177.0	3.3	2.12	1.5	4.8	1.64/300	94.00	89.30
834-HT23-399	HT23-399	F	Series	2.99	264.0	11.6	.71	16.4	56.0	2.62/480	113.84	110.17
834-HT23-400	HT23-400	F	Series	2.99	264.0	6.4	1.41	4.5	14.4	2.62/480	113.50	108.00
*834-HT23-400D	HT23-400D	F	Series	2.99	264.0	6.4	1.41	4.5	14.4	2.62/480	113.00	107.46
834-HT23-401	HT23-401	F	Series	2.99	264.0	4.2	2.12	2.0	6.4	2.62/480	116.00	109.45
*834-HT23-401D	HT23-401D	F	Series	2.99	264.0	4.2	2.12	2.0	6.4	2.62/480	120.36	113.28

*Features a double shaft

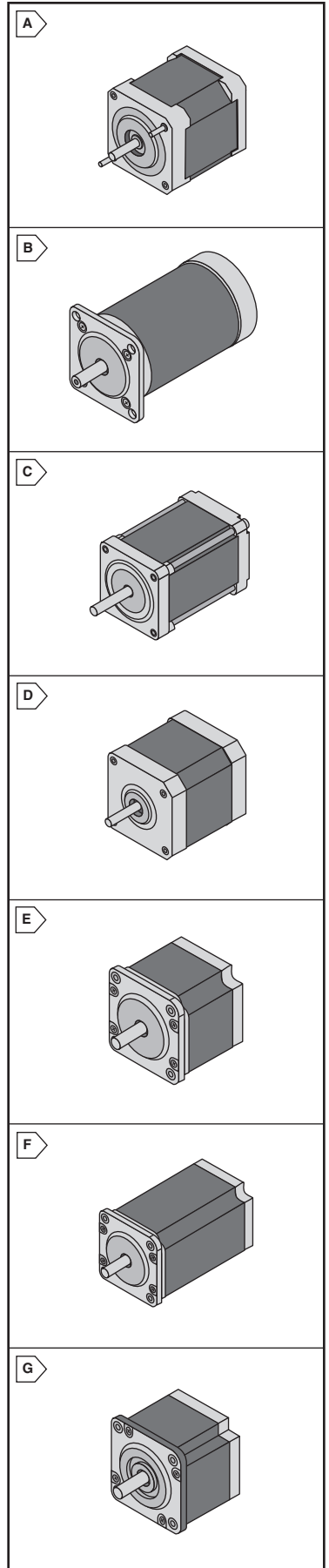
Size HT34

Specifications:

- Operating Temp: -20°C to 50°C
- Lead wire gauge: 18AWG
- Insulation Class: 130°C Class B
- Step Angle: 1.8
- No. of Leads: 8
- Radial Play: .001 max @ 1Lb.

For quantities of 10 and up, call for quote.

MOUSER STOCK NO.	Applied Motion Part No.	Fig.	Motor Connection	Motor Length (In.)	Min. Holding Torque (oz.-In.)	Volts (DC)	Amps	Ohms	mH	Rotor Inertia (oz-in ² /G-CM ²)	Price Each	
											1	5
834-HT34-476	HT34-476	G	Series	3.78	855	3.92	3.15	1.32	12.0	14.8/2700	301.66	283.92
834-HT34-478	HT34-478	G	Series	4.96	1284	5.3	2.80	1.94	22.0	27.9/4000	367.96	346.32
834-HT34-486	HT34-486	G	Series	4.63	1200	4.4	4.10	1.08	8.8	14.6/2680	283.92	275.04



Applied Motion Motors & Drives