

R10 SERIES: MULTICONTACT GENERAL PURPOSE RELAYS

- Enclosure: Clear, non-sealed polycarbonate cover
- Contact material: 3A - Fine Silver; 5A & 7.5A - AgCdO
- Solder/plug-in terminals w/ #3-48 mounting stud

- Expected Mechanical life: 3 & 5 Amp rating - 100 million operations; 7.5 Amp rating - 1 million operations



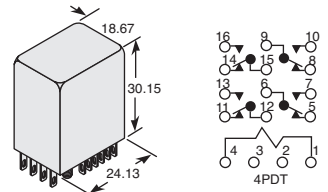
For quantities of 200 and up, call for quote.

MOUSER STOCK NO.	P&B Part Number	Fig.	Coil Voltage	Contact Form	Contact Rating	Price Each			
						1	25	50	100
655-R10-E1Y4-V52	R10-E1Y4-V52	A	6VDC	4PDT	3A	16.38	14.14	12.58	10.75
655-R10-E1Y4-V185	R10-E1Y4-V185	A	12VDC	4PDT	3A	14.46	13.74	13.02	10.76
655-R10-E1Y4-V700	R10-E1Y4-V700	A	24VDC	4PDT	3A	14.37	13.36	12.15	10.66
655-R10-E1Y4-V2.5K	R10-E1Y4-V2.5K	A	48VDC	4PDT	3A	16.68	15.00	13.60	10.78
655-R10-E1Y2-V52	R10-E1Y2-V52	B	6VDC	DPDT	3A	15.39	13.19	12.38	9.94
655-R10-E1Y2-V185	R10-E1Y2-V185	B	12VDC	DPDT	3A	13.30	12.25	11.38	10.01
655-R10-E1Y2-V700	R10-E1Y2-V700	B	24VDC	DPDT	3A	14.57	13.15	12.02	9.95
655-R10-E1Y2-V2.5K	R10-E1Y2-V2.5K	B	48VDC	DPDT	3A	15.23	13.14	11.73	9.98
655-R10-E1X4-V185	R10-E1X4-V185	A	12VDC	4PDT	5A	15.27	13.99	12.96	11.41
655-R10-E1X4-V700	R10-E1X4-V700	A	24VDC	4PDT	5A	15.27	14.01	13.02	11.50
655-R10-E1X4-V2.5K	R10-E1X4-V2.5K	A	48VDC	4PDT	5A	15.27	13.99	12.96	11.41
655-R10-E1X2-V52	R10-E1X2-V52	B	6VDC	DPDT	5A	14.96	13.01	12.43	9.79
655-R10-E1X2-V185	R10-E1X2-V185	B	12VDC	DPDT	5A	13.00	11.98	11.15	9.85
655-R10-E1X2-V700	R10-E1X2-V700	B	24VDC	DPDT	5A	13.40	12.07	11.02	9.88
655-R10-E1X2-V2.5K	R10-E1X2-V2.5K	B	48VDC	DPDT	5A	14.97	13.00	12.38	9.77
655-R10-E1W2-V700	R10-E1W2-V700	B	24VDC	DPDT	7.5A	14.10	12.76	11.87	10.41
Sockets for R10 Series									
655-27E125	27E125		Solder socket with grounding strip, rated 10A, for 2 pole relays			1.44	1.28	1.19	1.00
655-27E126	27E126		Solder socket with grounding strip, rated 10A, for 4 pole relays			1.47	1.35	1.29	1.12
655-27E128	27E128		PCB terminals (stag.) socket with grounding strip or 2 pole relays			1.29	1.18	1.10	.96
655-27E129	27E129		PCB terminals (stag.) socket with grounding strip for 4 pole relays			1.55	1.41	1.28	1.11
655-27E193	27E193		PCB terminals (stag.) socket with grounding terminal for 2 pole relays			1.37	1.18	1.01	.89
655-27E194	27E194		PCB terminals (stag.) socket with grounding terminal for 4 pole relays			1.70	1.46	1.28	1.12
655-27E629	27E629		PCB terminals (in-line) socket without grounding for 4 pole relays			1.52	1.42	1.36	1.15
655-20C249	20C249		Hold down spring for 2 pole sockets			.29	.24	.21	.18
655-20C250	20C250		Hold down spring for 4 pole sockets			.28	.24	.21	.19
655-20C259	20C259		Hold down strap for PCB terminal sockets			.29	.25	.22	.18
655-24A110	24A110		Aluminum DIN rail track, 36"			10.28	9.42	8.68	8.01
655-24A071	24A071		Steel mounting clip with screw			2.10	1.84	1.67	1.32
655-40G432	40G432		Plastic insulator			1.59	1.46	1.30	1.04

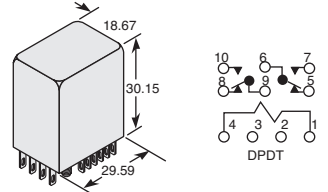
Authorized Distributor

DIMENSIONS: mm

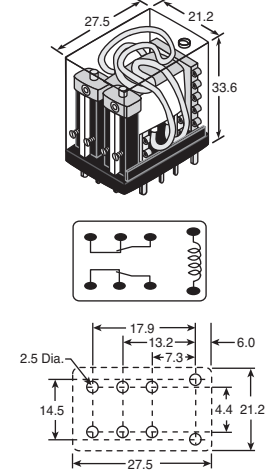
A



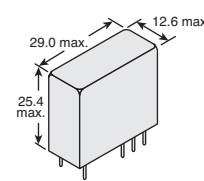
B



C



D



PCB Terminal type shown

Tyco Electronics

General Purpose Relays

PCLH SERIES: GENERAL PURPOSE MINIATURE RELAYS

- Low cost, small size
- Snap-on cover

- Nominal power: AC = 1.4VA/1.2VA; DC = 0.9W
- Contact material: Silver Nickel alloy



For quantities of 200 and up, call for quote.

MOUSER STOCK NO.	OEG Part No.	Fig.	Coil Voltage	Contact Form	Nominal Coil Current	Price Each			
						1	25	50	100
Plug-in Terminals									
677-PCLH-202A1S	PCLH-202A1S,000	C	12VAC	DPDT	15 A	4.88	4.54	4.26	3.99
677-PCLH-203A1S	PCLH-203A1S,000	C	24VAC	DPDT	15 A	5.89	5.48	5.16	4.12
677-PCLH-206A1S	PCLH-206A1S,000	C	110/120VAC	DPDT	15 A	5.95	5.55	5.21	4.16
677-PCLH-208A1S	PCLH-208A1S,000	C	220/240VAC	DPDT	15 A	6.93	6.45	6.00	4.83
677-PCLH-202D1S	PCLH-202D1S,000	C	12VDC	DPDT	15 A	5.45	5.11	4.80	3.53
677-PCLH-203D1S	PCLH-203D1S,000	C	24VDC	DPDT	15 A	7.15	6.79	6.21	6.08
677-PCLH-204D1S	PCLH-204D1S,000	C	48VDC	DPDT	15 A	5.64	5.53	5.01	3.97
677-PCLH-205D1S	PCLH-205D1S,000	C	100/110VDC	DPDT	15 A	5.92	5.62	5.26	4.13
PCB Terminals									
677-PCLH-206A1SP	PCLH-206A1SP,000	C	110/120VAC	DPDT	15 A	5.78	5.33	5.10	4.19
677-PCLH-202D1SP	PCLH-202D1SP,000	C	12VDC	DPDT	15 A	4.93	4.56	4.12	3.90
677-PCLH-203D1SP	PCLH-203D1SP,000	C	24VDC	DPDT	15 A	5.58	5.30	4.93	3.82
677-PCLH-205D1SP	PCLH-205D1SP,000	C	100/110VDC	DPDT	15 A	7.28	6.92	6.55	6.19

V23047 SERIES: SAFETY RELAYS SR2M

Specifications:

- Forcibly guided contacts
- Current rating: 6A @ 250VAC
- Sealed case construction
- 6kV surge resistance between poles
- 2 Pole
- Ideal for emergency shut off, machine control, elevator & escalator control
- Contact material: Silver nickel alloy



For quantities of 200 and up, call for quote.

MOUSER STOCK NO.	Schrack Part No.	Fig.	Coil Voltage	Contact Form	Rated Coil Power	Price Each			
						1	25	50	100
655-V23047A1005A501	V23047-A1005-A501	D	5VDC	2 C/O	700mW	9.51	8.61	7.74	7.23
655-V23047A1012A501	V23047-A1012-A501	D	12VDC	2 C/O	699mW	7.39	6.51	5.87	4.63
655-V23047A1024A501	V23047-A1024-A501	D	24VDC	2 C/O	700mW	6.89	6.31	5.85	4.64
655-V23047A1024A511	V23047-A1024-A511	D	24VDC	1 N/O +1 N/C	700mW	7.20	6.29	5.68	5.35
655-V23047A1012A511	V23047-A1012-A511	D	12VDC	1 N/O + 1 N/C	699mW	7.50	6.80	6.23	5.73