

# SONG CHUAN General Purpose and Automotive Relays

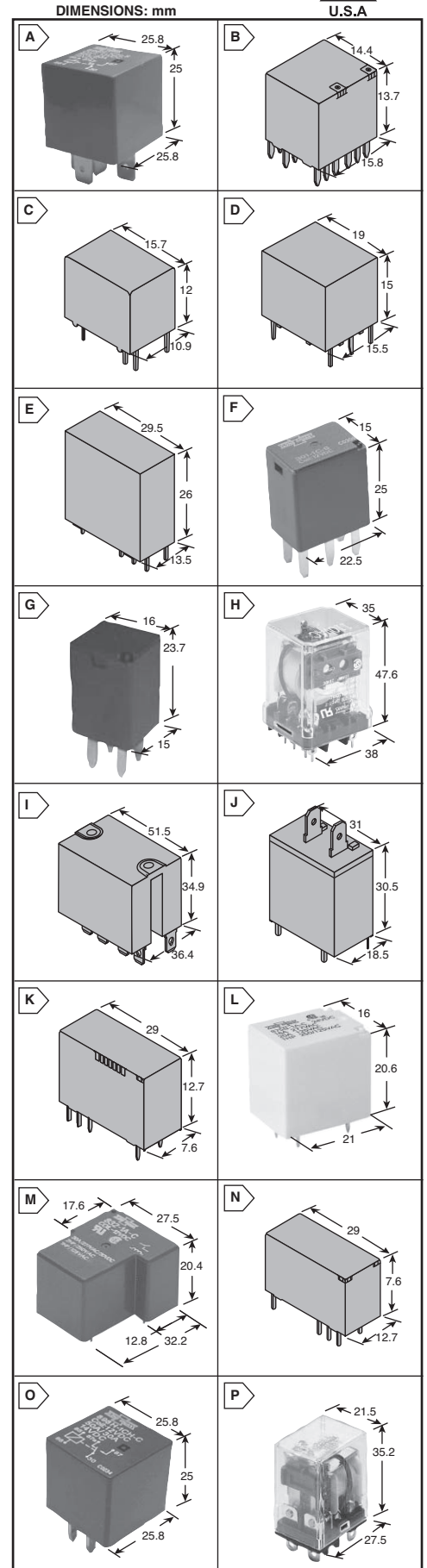


## MINI ISO HIGH POWER AUTOMOTIVE RELAYS

RoHS Compliant This product is RoHS compliant.

For quantities of 500 and up, call for quote.

MOUSER STOCK NO.	Song Chuan Part No.	Fig.	Contact Form	Contact Rating	Coil Voltage	Price Each			
						1	25	50	100
<b>Socket Terminal</b>									
893-896H1AHD12VDC	896H-1AH-D1-12VDC	A	SPNO	20/50A	12VDC	2.88	2.16	1.94	1.61
893-896H1AHD12VDC	896H-1AH-D-12VDC	A	SPNO	20/50A	12VDC	2.88	2.16	1.94	1.61
893-896H1AHD1R112VDC	896H-1AH-D1-R1-12VDC	A	SPNO	20/50A	12VDC	3.28	2.46	2.22	1.86
893-896H1AHSR112VDC	896H-1AH-S-R1-12VDC	A	SPNO	20/50A	12VDC	3.24	2.43	2.19	1.71
893-896H1CHC00112	896H-1CH-C-001-12VDC	A	SPDT	30/50A	12VDC	2.40	2.20	2.00	1.80
893-896H1CHC00124	896H-1CH-C-001-24VDC	A	SPDT	30/50A	24VDC	2.40	2.20	2.00	1.80
893-896H1CHC112VDC	896H-1CH-C1-12VDC	A	SPDT	30/50A	12VDC	2.88	2.16	1.94	1.61
893-896H1CHCR1U0312VDC	896H-1CH-C-R1-U03-12VDC	A	SPDT	30/50A	12VDC	3.24	2.43	2.19	1.71
893-896H1CHD00112VDC	896H-1CH-D-001-12VDC	A	SPDT	30/50A	12VDC	3.20	2.40	2.17	1.82
893-896H1CHD00124VDC	896H-1CH-D-001-24VDC	A	SPDT	30/50A	24VDC	3.20	2.40	2.17	1.82
893-896H1CHD10124VDC	896H-1CH-D1-001-24VDC	A	SPDT	30/50A	24VDC	3.20	2.40	2.17	1.82
893-896H1CHD112VDC	896H-1CH-D1-12VDC	A	SPDT	30/50A	12VDC	2.88	2.16	1.94	1.61
893-896H1CHD124VDC	896H-1CH-D1-24VDC	A	SPDT	30/50A	24VDC	2.88	2.16	1.94	1.61
893-896H1CHD12VDC	896H-1CH-D-12VDC	A	SPDT	30/50A	12VDC	2.88	2.16	1.94	1.61
893-896H1CHD1R112VDC	896H-1CH-D1-R1-12VDC	A	SPDT	30/50A	12VDC	3.28	2.46	2.22	1.86
893-896H1CHD1S12VDC	896H-1CH-D1-S-12VDC	A	SPDT	30/50A	12VDC	3.12	2.34	2.11	1.77
893-896H1CHD1S24VDC	896H-1CH-D1-S-24VDC	A	SPDT	30/50A	24VDC	3.12	2.34	2.11	1.77
893-896H1CHD1SW12VDC	896H-1CH-D1SW-R1-12VDC	A	SPDT	30/50A	12VDC	3.72	2.79	2.52	2.11
893-896H1CHD1SW24VDC	896H-1CH-D1SW-R1-24VDC	A	SPDT	30/50A	24VDC	3.72	2.79	2.52	2.11
893-896H1CHD24VDC	896H-1CH-D-24VDC	A	SPDT	30/50A	24VDC	2.88	2.16	1.94	1.61
893-896H1CHDR112VDC	896H-1CH-D-R1-12VDC	A	SPDT	30/50A	12VDC	3.28	2.46	2.22	1.86
893-896H1CHDR124VDC	896H-1CH-D-R1-24VDC	A	SPDT	30/50A	24VDC	3.28	2.46	2.22	1.86
893-896H1CHS12VDC	896H-1CH-S-12VDC	A	SPDT	30/50A	12VDC	3.28	2.46	2.22	1.86
893-896H1CHS124VDC	896H-1CH-S-24VDC	A	SPDT	30/50A	24VDC	3.28	2.46	2.22	1.86
893-896H1CHS12VDC	896H-1CH-S-12VDC	A	SPDT	30/50A	12VDC	3.28	2.46	2.22	1.86
893-896H1CHS24VDC	896HP-1CH-S-24VDC	A	SPDT	30/50A	24VDC	3.28	2.46	2.22	1.86
893-896H1CHC12VDC	896HP-1CH-C-12VDC	A	SPDT	30/50A	12VDC	2.88	2.16	1.94	1.61
<b>PCB Terminal</b>									
893-896HP1AHD12VDC	896HP-1AH-D-12VDC	A	SPNO	20/50A	12VDC	2.88	2.16	1.94	1.61
893-896HP1AHS12VDC	896HP-1AH-S-12VDC	A	SPNO	20/50A	12VDC	3.28	2.46	2.22	1.86
893-896HP1CHD12VDC	896HP-1CH-D-12VDC	A	SPDT	30/50A	12VDC	2.88	2.16	1.94	1.61
893-896HP1CHD24VDC	896HP-1CH-D-24VDC	A	SPDT	30/50A	24VDC	2.88	2.16	1.94	1.61
893-896HP1CHS12VDC	896HP-1CH-S-12VDC	A	SPDT	30/50A	12VDC	3.28	2.46	2.22	1.86
893-896HP1CHS24VDC	896HP-1CH-S-24VDC	A	SPDT	30/50A	24VDC	3.28	2.46	2.22	1.86
893-896HP1CHS12VDC	896HP-1CH-S-12VDC	A	SPDT	30/50A	12VDC	3.28	2.46	2.22	1.86
893-896HP1CHS24VDC	896HP-1CH-S-24VDC	A	SPDT	30/50A	24VDC	3.28	2.46	2.22	1.86
893-896HP1CHC12VDC	896HP-1CH-C-12VDC	A	SPDT	30/50A	12VDC	2.88	2.16	1.94	1.61



## GENERAL PURPOSE RELAYS

### Applications:

- Appliance controls
- Automotive controls
- Spa & Pool controls
- Industrial controls
- Power supply controls
- Lighting controls

For quantities of 500 and up, call for quote.

MOUSER STOCK NO.	Song Chuan Part No.	Fig.	Contact Form	Contact Rating	Coil Voltage	Price Each			
						1	25	50	100
893-103T1CHS12VDC	103T-1CH-S-12VDC	B	SPDT	20A	12VDC	2.85	2.61	2.38	2.14
893-842A1CS12VDC	842A-1C-S-12VDC	C	SPDT	1-3A	12VDC	.96	.88	.80	.72
893-842A1CS24VDC	842A-1C-S-24VDC	C	SPDT	1-3A	24VDC	.96	.88	.80	.72
893-8991CFS12VDC	899-1C-F-S-12VDC	D	SPDT	10A	12VDC	.84	.77	.70	.63
893-793P1AS12VDC	793P-1A-S-12VDC	E	SPNO	16A	12VDC	2.25	2.06	1.88	1.69
893-793P1CS24VDC	793P-1C-S-24VDC	E	SPDT	16A	24VDC	2.25	2.06	1.88	1.69
893-793P1CS12VDC	793P-1C-S-12VDC	E	SPDT	16A	12VDC	2.25	2.06	1.88	1.69
893-3011CCR124VDC	301-1C-C-R1-24VDC	F	SPDT	35A	24VDC	2.37	2.17	1.98	1.78
893-3011CCD124VDC	301-1C-C-D1-24VDC	F	SPDT	35A	24VDC	2.67	2.45	2.23	2.00
893-3031AHC124VDC	303-1AH-C-R1-24VDC	G	SPNO	20A	24VDC	2.88	2.64	2.40	2.16
893-7353CFC1240VAC	735-3C-F-C1-240VAC	H	TPDT	20A/25A	24VDC	11.31	10.37	9.43	8.48
893-841P2AC12VDC	841P-2A-C-12VDC	I	DPDM	30A	12VDC	8.25	7.56	6.88	6.19
893-841S2AC112VDC	841S-2A-C1-12VDC	I	DPDM	30A	12VDC	8.25	7.56	6.88	6.19
893-821W1AC24VDC	821W-1A-C-24VDC	J	SPNO	25A	24VDC	2.61	2.39	2.18	1.96
893-845HN2CS24VDC	845HN-2C-S-24VDC	K	DPDT	12A	24VDC	2.37	2.17	1.98	1.78
893-845N2CS24VDC	845N-2C-S-24VDC	K	DPDT	12A	24VDC	2.19	2.01	1.83	1.64
893-875B1CHFS24VDC	875B-1CH-F-S-24VDC	L	SPDT	16A	24VDC	2.04	1.87	1.70	1.53
893-832AWP1CFS5VDC	832AWP-1C-F-S-5VDC	M	SPDT	30A	5VDC	2.85	2.61	2.38	2.14
893-832AWP1CFS12VDC	832AWP-1C-F-S-12VDC	M	SPDT	30A	12VDC	2.85	2.61	2.38	2.14
893-881H1CHFS12VDC	881H-1CH-F-S-12VDC	N	SPDT	16A	24VDC	2.25	2.06	1.88	1.69
893-881H1CHFS24VDC	881H-1CH-F-S-24VDC	N	SPDT	16A	24VDC	2.25	2.06	1.88	1.69
893-898H1CHCR1U0224	898H-1CH-C-R1-U02-24VDC	O	SPDT	50A	24VDC	2.61	2.39	2.18	1.96
893-SCL1DPDT12VDC	SCL-1-DPDT-12VDC	P	DPDT	12A	12VDC	4.80	4.40	4.00	3.60
893-SCL1DPDT24VDC	SCL-1-DPDT-24VDC	P	DPDT	12A	24VDC	4.80	4.40	4.00	3.60

