

MAGNECRAFT General Purpose Relays



CLASS 782 GENERAL PURPOSE RELAYS

Specifications:

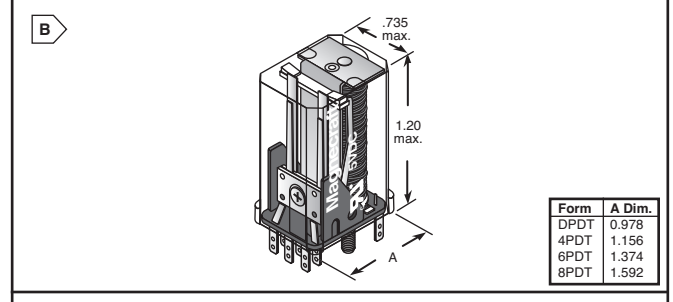
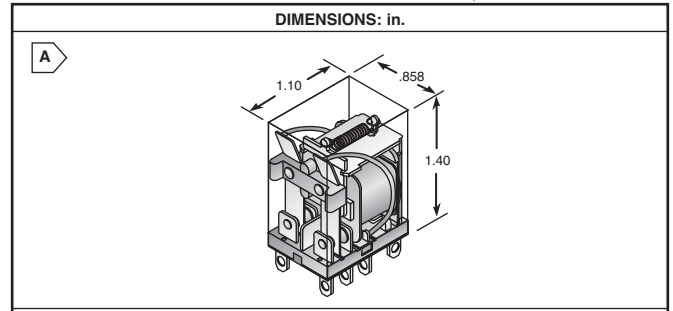
- Contact material: 3 amps bifurcated - silver gold plated
- 3 amps - silver gold flashed
- 5, 10 & 15 Amps - silver cadmium oxide, gold flashed
- Coil power: 0.9 - 1.1 watts DC., 1.0 - 1.2 VA (60Hz) AC. @ 25°C
- Class B insulation
- Dielectric strength: 1500Vrms



RoHS Compliant

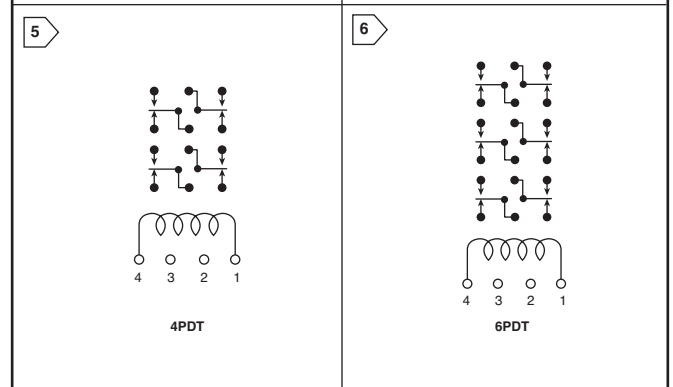
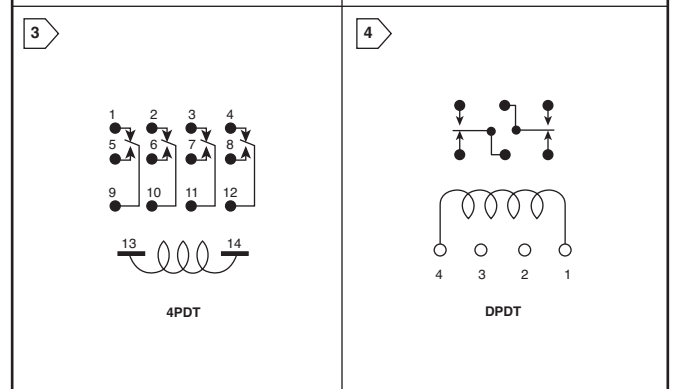
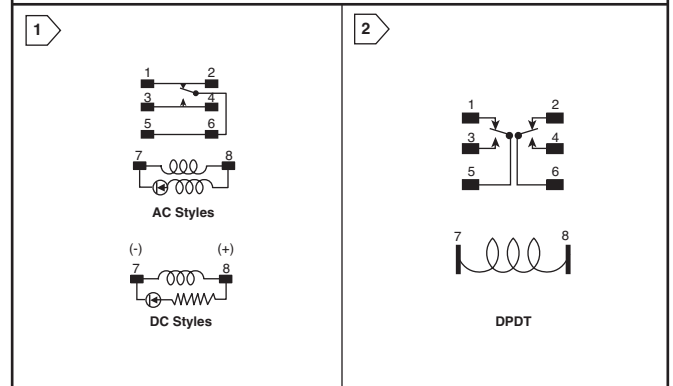
For quantities of 100 and up, call for quote.

MOUSER STOCK NO.	Magnecraft® Part No.	Fig.	Contact		Coil		Price Each			
			Form	Rating	Volts	Ω	1	10	25	50
Solder/Plug-in Mount										
528-7880-97	782XAXC-12D	A1	SPDT	20A	12VDC	160	7.26	6.70	6.39	6.08
528-7880-6	782XBXC-6D	A2	DPDT	20A	6VDC	40	6.91	6.42	6.11	5.78
528-7880-7	782XBXC-12D	A2	DPDT	15A	12VDC	160	4.56	4.31	4.07	3.88
528-7880-8	782XBXC-24D	A2	DPDT	15A	24VDC	650	6.26	4.60	4.28	4.07
528-7810-1	782XDIC-6D	A3	4PDT	3A	6VDC	40	6.29	5.85	5.55	5.25
528-7810-2	782XDIC-12D	A3	4PDT	3A	12VDC	160	4.49	4.17	3.96	3.75
528-7810-3	782XDIC-24D	A3	4PDT	3A	24VDC	650	4.49	4.17	3.96	3.75
528-7895-13	782XD2C-24D	A3	4PDT	10A	24VDC	650	6.29	5.85	5.55	5.25
528-7870-9	782XBXC-24A	A2	DPDT	15A	24VAC	180	6.26	4.60	4.27	4.07
528-7870-11	782XBXC-120A	A2	DPDT	15A	120VAC	4430	6.26	4.60	4.27	4.07
528-7870-12	782XBXC-240A	A2	DPDT	20A	240VAC	15,700	8.40	7.84	7.43	7.04
528-7840-3	782XDIC-24A	A3	4PDT	3A	24VAC	180	6.92	6.44	6.12	5.80
528-7840-5	782XDIC-120A	A3	4PDT	3A	120VAC	4430	6.91	6.43	6.11	5.79
Solder/Plug-in Mount, Bifurcated										
528-7815-2	782XD3C-12A	A3	4PDT	3A	12VAC	46	7.83	7.28	6.92	6.55
Solder/Plug-in Mount, with Indicator Lamp										
528-7850-10	782XAXCL-24D	A1	SPDT	20A	24VDC	650	8.56	7.92	7.55	7.19
528-7885-9	782XAXCL-120A	A1	SPDT	20A	120VAC	4430	8.32	7.75	7.01	6.92
Enclosed, Printed Circuit Mount										
528-7830-1	782XBXC-6D	A2	DPDT	20A	6VDC	40	6.04	5.60	5.30	5.01
528-7830-2	782XBXC-12D	A2	DPDT	15A	12VDC	160	6.29	5.85	5.55	5.25
528-7830-3	782XBXC-24D	A2	DPDT	15A	24VDC	650	6.29	5.85	5.55	5.25
528-7820-2	782XD3CT-12D	A3	4PDT	3A	12VDC	160	4.55	4.36	4.16	3.76
528-7820-3	782XD3CT-24D	A3	4PDT	3A	24VDC	650	6.85	6.66	5.83	5.62
528-7850-5	782XBXC-120A	A2	DPDT	15A	120VAC	4430	6.92	6.44	6.12	5.80
528-7835-6	782XBXC-240A	A2	DPDT	15A	240VAC	15,700	8.90	8.32	7.93	7.54
528-7825-3	782XD3CT-24A	A3	4PDT	3A	24VAC	180	6.35	6.07	5.80	5.24
528-7825-5	782XD3CT-120A	A3	4PDT	3A	120VAC	4430	6.35	6.07	5.80	5.24
Sockets and Hold Down Clip for Class 782 Relays										
528-3781	70-378-1	14 Pin Solder terminals, 4 Pole					.88	.81	.78	.74
528-3791	70-379-1	14 Pin PC terminals, 4 Pole					1.24	1.15	1.09	1.03
528-401	70-401-1	8 Pin Solder terminals, 2 Pole					1.42	1.32	1.25	1.19
528-402	70-402-1	8 Pin PC terminals, 2 Pole					1.44	1.35	1.27	1.21
528-459	70-459-1	8 Pin DIN/Panel mount w/screw terminals					5.22	4.85	4.59	4.35
528-461	70-461-1	14 Pin DIN/Panel mount w/screw terminals					3.63	3.35	3.18	3.00
528-16-1342	16-1342	Hold down clip					.62	.59	.53	.49



Form	A Dim.
DPDT	0.978
4PDT	1.156
6PDT	1.374
8PDT	1.592

TERMINAL ARRANGEMENT



CLASS 67 MINIATURE ENCLOSED INDUSTRIAL RELAYS

Specifications:

- Contact resistance: 50MΩ max.
- Coil power: 0.5 - 1.5 watts DC, 1.5VA - 2VA (60Hz) AC @ 25°C
- Contact material: silver gold overlay
- Dielectric strength: 1500Vrms



For quantities of 100 and up, call for quote.

MOUSER STOCK NO.	Magnecraft® Part No.	Fig.	Contact		Coil		Price Each			
			Form	Rating	Volts	Ω	1	10	25	50
Solder/Plug-in Mount										
528-6710-1	W67RCSX-1	B4	DPDT	5A	5VDC	52	42.61	40.67	38.73	34.86
528-6710-2	W67RCSX-2	B4	DPDT	5A	12VDC	185	19.61	19.02	18.35	17.66
528-6710-3	W67RCSX-3	B4	DPDT	5A	24VDC	700	50.25	47.96	45.67	41.09
528-6710-7	W67RCSX-7	B5	4PDT	5A	12VDC	185	57.87	55.24	52.61	47.35
528-6710-8	W67RCSX-8	B5	4PDT	5A	24VDC	700	27.77	27.23	27.00	26.88
528-6710-12	W67RCSX-12	B6	6PDT	5A	12VDC	90	70.58	67.38	64.17	57.77
Sockets for Class 67 Relays										
528-303	70-303-1	----	Solder terminals, DPDT, Chassis mount				5.84	5.58	5.31	4.79
528-304	70-304-1	----	PC terminals, DPDT, Chassis mount				5.40	5.16	4.92	4.43
528-305	70-305-1	----	Solder terminals, 4PDT, Chassis mount				6.61	6.32	6.01	5.41
528-307	70-307-1	----	Solder terminals, 6PDT, Chassis mount				6.63	6.34	6.02	5.42
528-308	70-308-1	----	PC terminals, 6PDT, Chassis mount				6.62	6.33	6.02	5.42
528-309	70-309-1	----	Solder terminals, 8PDT, Chassis mount				7.10	6.79	6.46	5.81

