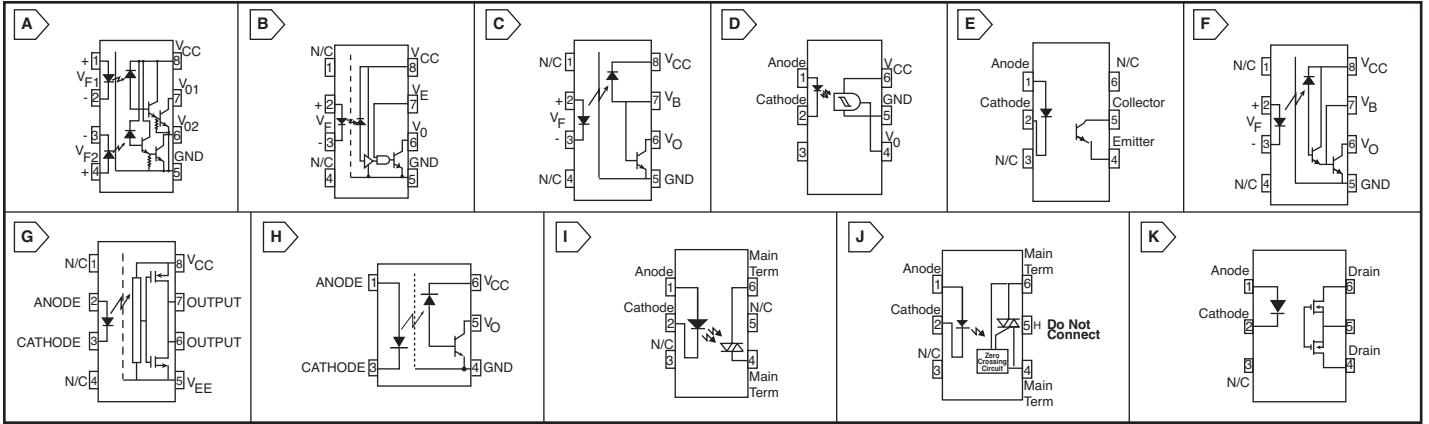


FAIRCHILD Optocoupler Products

Products may be RoHS compliant. Check mouser.com for RoHS status.



OPTOCOUPLER PRODUCTS

◆ Surface Mount Device
※ UL Recognized

High-Gain Split Photodarlington Output (Dual Channel), Low Current DC Sensing

| MOUSER STOCK NO. | | Package | Fig. | Isolation Voltage (Viso) | V _{CC} (V) | Typical Rise/Fall (μSEC) | Price Each | | |
|------------------|----------------|---------|------|--------------------------|---------------------|--------------------------|------------|------|------|
| Mfr. | Mfr. Part No. | | | | | | 1 | 100 | 500 |
| ※ | 512—HCPL-2730 | DIP-8 | A | 2.5kV | 7 | 20/35 | 1.40 | 1.22 | .98 |
| ※ | 512—HCPL-2731 | DIP-8 | A | 2.5kV | 18 | 20/35 | 1.33 | .80 | .72 |
| ◆ | 512—HCPL-2731S | SMD-8 | A | 2.5kV | 18 | 20/35 | 1.83 | 1.52 | 1.10 |

10 Mbit/s High-Speed Logic Gate Output (Dual Channel), DC Sensing

| MOUSER STOCK NO. | | Package | Fig. | Isolation Voltage (Viso) | V _{CC} (V) | Typical Rise/Fall (μSEC) | Price Each | | |
|------------------|----------------|---------|------|--------------------------|---------------------|--------------------------|------------|------|------|
| Mfr. | Mfr. Part No. | | | | | | 1 | 100 | 500 |
| ※ | 512—HCPL-2630 | DIP-8 | A | 2.5kV | 5.5 | .075/.075 | 2.43 | 1.45 | 1.31 |
| ◆ | 512—HCPL-2630S | SMD-8 | A | 2.5kV | 5.5 | .075/.075 | 1.94 | 1.45 | 1.31 |
| ※ | 512—HCPL-2631 | DIP-8 | A | 2.5kV | 5.5 | .075/.075 | 1.66 | 1.00 | .90 |
| ◆ | 512—HCPL-2631S | SMD-8 | A | 2.5kV | 5.5 | .075/.075 | 2.29 | 1.91 | 1.38 |
| ◆ | 512—HCPL2631SD | SMD-8 | A | 2.5kV | 5.5 | .075/.075 | 1.83 | 1.42 | 1.21 |

10 Mbit/s High-Speed Logic Gate Output, DC Sensing

| MOUSER STOCK NO. | | Package | Fig. | Isolation Voltage (Viso) | V _{CC} (V) | Typical Rise/Fall (μSEC) | Price Each | | |
|------------------|----------------|---------|------|--------------------------|---------------------|--------------------------|------------|------|------|
| Mfr. | Mfr. Part No. | | | | | | 1 | 100 | 500 |
| ※ | 512—6N137 | DIP-8 | B | 2.5kV | 5.5 | .075/.075 | .90 | .554 | .344 |
| ◆ | 512—6N137S | SMD-8 | B | 2.5kV | 5.5 | .075/.075 | .90 | .629 | .475 |
| ◆ | 512—HCPL0600 | SMD-8 | B | 2.5kV | 5.5 | .075/.075 | 1.51 | 1.13 | 1.02 |
| ◆ | 512—HCPL0611 | SMD-8 | B | 2.5kV | 5.5 | .075/.075 | 2.84 | 2.36 | 1.47 |
| ※ | 512—HCPL-2601 | DIP-8 | B | 2.5kV | 5.5 | .075/.075 | 1.31 | .784 | .706 |
| ◆ | 512—HCPL-2601S | SMD-8 | B | 2.5kV | 5.5 | .075/.075 | 1.31 | .784 | .706 |

25Mbit/s High-Speed Logic Gate Output

| MOUSER STOCK NO. | | Package | Fig. | Isolation Voltage (Viso) | V _{CC} (V) | Typical Rise/Fall (μSEC) | Price Each | | |
|------------------|---------------|---------|------|--------------------------|---------------------|--------------------------|------------|------|------|
| Mfr. | Mfr. Part No. | | | | | | 1 | 100 | 500 |
| ◆ | 512—FOD0710 | SOICW-8 | C | 3.75kV | 6 | 5/4.5 | 3.98 | 2.46 | 2.28 |
| ◆ | 512—FOD0720 | SOICW-8 | C | 3.75kV | 6 | 5/4.5 | 4.87 | 3.42 | 2.82 |
| ◆ | 512—FOD0721 | SOICW-8 | C | 3.75kV | 6 | 5/4.5 | 5.35 | 3.74 | 3.10 |

Schmitt Trigger Output, DC Sensing

| MOUSER STOCK NO. | | Package | Fig. | Isolation Voltage (Viso) | V _{CC} (V) | Typical Rise/Fall (μSEC) | Price Each | | |
|------------------|----------------|---------|------|--------------------------|---------------------|--------------------------|------------|------|------|
| Mfr. | Mfr. Part No. | | | | | | 1 | 100 | 500 |
| ※ | 512—H11L1M | DIP-6 | D | 5.3kV | 15 | 1.0/2.0 | .62 | .517 | .403 |
| ※ | 512—H11L1SR2M | DIP-6 | D | 5.3kV | 15 | 1.0/2.0 | .63 | .471 | .366 |
| ※ | 512—H11L1SR2VM | DIP-6 | D | 5.3kV | 15 | 1.0/2.0 | .93 | .648 | .471 |
| ※ | 512—H11L2M | DIP-6 | D | 5.3kV | 15 | 1.0/2.0 | .86 | .492 | .306 |
| ※ | 512—H11L3M | DIP-6 | D | 5.3kV | 15 | 1.0/2.0 | .87 | .492 | .306 |
| ※ | 512—H11N1M | DIP-6 | D | 5.3kV | 15 | 0.3/0.3 | 3.53 | 2.20 | 1.37 |

1 Mbit/s High-Speed Transistor Output (Dual Channel), DC Sensing

| MOUSER STOCK NO. | | Package | Fig. | Isolation Voltage (Viso) | V _{CC} (V) | Typical Rise/Fall (μSEC) | Price Each | | |
|------------------|---------------|---------|------|--------------------------|---------------------|--------------------------|------------|------|------|
| Mfr. | Mfr. Part No. | | | | | | 1 | 100 | 500 |
| ※ | 512—HCPL-2530 | DIP-8 | E | 2.5kV | 15 | 1.5/1.5 | 1.68 | 1.37 | 1.11 |
| ※ | 512—HCPL-2531 | DIP-8 | E | 2.5kV | 15 | 0.8/0.8 | 1.41 | .928 | .835 |

High-Gain Split Photodarlington Output, Low Current DC Sensing

| MOUSER STOCK NO. | | Package | Fig. | Isolation Voltage (Viso) | V _{CC} (V) | Typical Rise/Fall (μSEC) | Price Each | | |
|------------------|---------------|---------|------|--------------------------|---------------------|--------------------------|------------|------|------|
| Mfr. | Mfr. Part No. | | | | | | 1 | 100 | 500 |
| ※ | 512—6N138 | DIP-8 | F | 2.5kV | 7 | 110/35 | .72 | .51 | .357 |
| ◆ | 512—6N138S | SMD-8 | F | 2.5kV | 7 | 110/35 | 1.02 | .727 | .534 |
| ◆ | 512—6N139 | DIP-8 | F | 2.5kV | 18 | 25/60 | .80 | .533 | .38 |
| ◆ | 512—6N139S | SMD-8 | F | 2.5kV | 18 | 25/60 | 1.02 | .727 | .534 |
| ◆ | 512—HCPL0701 | SOIC-8 | F | 2.5kV | 18 | 25/60 | 1.70 | 1.12 | .898 |

1Mbit/s High-Speed Transistor Output, DC Sensing

| MOUSER STOCK NO. | | Package | Fig. | Isolation Voltage (Viso) | V _{CC} (V) | Typical Rise/Fall (μSEC) | Price Each | | |
|------------------|---------------|-----------|------|--------------------------|---------------------|--------------------------|------------|------|------|
| Mfr. | Mfr. Part No. | | | | | | 1 | 100 | 500 |
| ※ | 512—6N135 | DIP-8 | C | 2.5kV | 0.4 | 1.5/1.5 | .73 | .591 | .473 |
| ※ | 512—6N136 | DIP-8 | C | 2.5kV | 0.4 | 0.8/0.8 | .77 | .514 | .361 |
| ※ | 512—FOD3180 | DIP-8 | G | 5.0kV | 10-20 | 0.075/0.055 | 1.66 | 1.24 | 1.15 |
| ◆ | 512—FOD3180S | SMD-8 | G | 5.0kV | 10-20 | 0.075/0.055 | 1.66 | 1.24 | 1.12 |
| ◆ | 512—FOD3180TV | DIP-8 | G | 5.0kV | 10-20 | 0.075/0.055 | 1.66 | 1.24 | 1.12 |
| ◆ | 512—FODM453 | 5-pin MFP | H | 3.75kV | 0.4 | 0.8/0.8 | 2.28 | 1.65 | 1.04 |

Random Phase Triac Driver Output, DC Sensing

| MOUSER STOCK NO. | | Package | Fig. | Isolation Voltage (Viso) | V _{DRM} (V) | I _{FT} (mA) | Price Each | | |
|------------------|---------------|---------|------|--------------------------|----------------------|----------------------|------------|------|------|
| Mfr. | Mfr. Part No. | | | | | | 1 | 100 | 500 |
| ※ | 512—FOD4108 | DIP-6 | I | 5.0kV | 800 | 2 | 1.80 | 1.40 | 1.30 |
| ※ | 512—FOD4116 | DIP-6 | I | 5.0kV | 600 | 1.3 | 1.80 | 1.40 | 1.30 |
| ※ | 512—FOD4118 | DIP-6 | I | 5.0kV | 800 | 1.3 | 2.34 | 1.82 | 1.69 |
| ※ | 512—FOD420 | DIP-6 | I | 5.0kV | 600 | 2 | 1.90 | 1.42 | 1.28 |
| ※ | 512—FOD4208 | DIP-6 | I | 5.0kV | 800 | 2 | 1.89 | 1.47 | 1.36 |
| ※ | 512—FOD4216 | DIP-6 | I | 5.0kV | 600 | 1.3 | 2.89 | 1.47 | 1.36 |
| ※ | 512—FOD4218 | DIP-6 | I | 5.0kV | 800 | 1.3 | 2.52 | 1.96 | 1.82 |
| ※ | 512—MOC3010M | DIP-6 | I | 4.2kV | 250 | 15 | 60 | .342 | .213 |
| ※ | 512—MOC3011M | DIP-6 | I | 4.2kV | 250 | 15 | 52 | .378 | .287 |
| ◆ | 512—MOC3011SM | SMD-6 | I | 4.2kV | 250 | 10 | 63 | .457 | .328 |
| ※ | 512—MOC3012M | DIP-6 | I | 4.2kV | 250 | 5 | 52 | .295 | .186 |
| ※ | 512—MOC3020M | DIP-6 | I | 4.2kV | 400 | 30 | 60 | .342 | .213 |
| ※ | 512—MOC3021M | DIP-6 | I | 5.3kV | 250 | 15 | 66 | .39 | .247 |
| ※ | 512—MOC3022M | DIP-6 | I | 5.3kV | 400 | 10 | 56 | .314 | .20 |
| ◆ | 512—MOC3023SM | SMD-6 | I | 4.2kV | 400 | 15 | 67 | .485 | .354 |
| ※ | 512—MOC3023M | DIP-6 | I | 4.2kV | 400 | 5 | 56 | .32 | .20 |
| ※ | 512—MOC3052M | DIP-6 | I | 4.2kV | 600 | 10 | .71 | .476 | .333 |

Zero-Crossing Triac Output

| MOUSER STOCK NO. | | Package | Fig. | Isolation Voltage (Viso) | V _{DRM} (V) | I _{FT} (mA) | Price Each | | |
|------------------|-----------------|---------|------|--------------------------|----------------------|----------------------|------------|------|------|
| Mfr. | Mfr. Part No. | | | | | | 1 | 100 | 500 |
| ※ | 512—MOC3031-M | DIP-6 | J | 7.5kV | 250 | 15 | .70 | .563 | .445 |
| ※ | 512—MOC3032M | DIP-6 | J | 7.5kV | 250 | 10 | .84 | .514 | .32 |
| ※ | 512—MOC3033M | DIP-6 | J | 7.5kV | 250 | 5 | .73 | .514 | .36 |
| ◆ | 512—MOC3033SM | SO-6 | J | 7.5kV | 250 | 5 | 1.02 | .736 | .534 |
| ※ | 512—MOC3041-M | DIP-6 | J | 4.2kV | 400 | 15 | 1.01 | .62 | .386 |
| ◆ | 512—MOC3041SM | SMD-6 | J | 4.2kV | 400 | 15 | .99 | .709 | .518 |
| ※ | 512—MOC3042M | DIP-6 | J | 4.2kV | 400 | 10 | 1.01 | .62 | .386 |
| ※ | 512—MOC3043M | DIP-6 | J | 4.2kV | 400 | 5 | .88 | .59 | .413 |
| ◆ | 512—MOC3043SM | SMD-6 | J | 4.2kV | 400 | 5 | 1.03 | .68 | .514 |
| ※ | 512—MOC3063M | DIP-6 | J | 4.2kV | 600 | 5 | 1.08 | .75 | .542 |
| ◆ | 512—MOC3063SM | SMD-6 | J | 4.2kV | 600 | 5 | 1.21 | .872 | .635 |
| ※ | 512—MOC3083M | DIP-6 | J | 7.5kV | 800 | 5 | 1.28 | .857 | .599 |
| ※ | 512—MOC3083SR2M | DIP-6 | J | 7.5kV | 800 | 5 | 1.37 | .972 | .715 |

Solid State Relay

| MOUSER STOCK NO. | | Package | Fig. | Isolation Voltage (Viso) | V _{DRM} (V) | I _{FT} (mA) | Price Each | | |
|------------------|---------------|---------|------|--------------------------|----------------------|----------------------|------------|------|------|
| Mfr. | Mfr. Part No. | | | | | | 1 | 100 | 500 |
| ※ | 512—HSR312 | DIP-6 | K | 4kV | 250 | 3 | 1.63 | 1.22 | 1.10 |
| ※ | 512—HSR312L | DIP-6 | K | 4kV | 250 | 4.25 | 1.63 | 1.22 | 1.10 |
| ※ | 512—HSR312S | DIP-6 | K | 4.0kV | 250 | 2 | 3.75 | 2.71 | 1.45 |
| ※ | 512—HSR412 | DIP-6 | K | 4kV | 400 | 7 | 3.75 | 2.71 | 1.45 |
| ※ | 512—HSR412L | DIP-6 | K | 4kV | 400 | 9 | 3.75 | 2.71 | 1.45 |

