

COTO Reed Relays



9081 SERIES: SPARTAN SIP REED RELAYS

Features:

- Hermetically sealed contacts for long life
- High speed switching
- Molded thermoset body on integral lead frame design
- Magnetic Shield Option

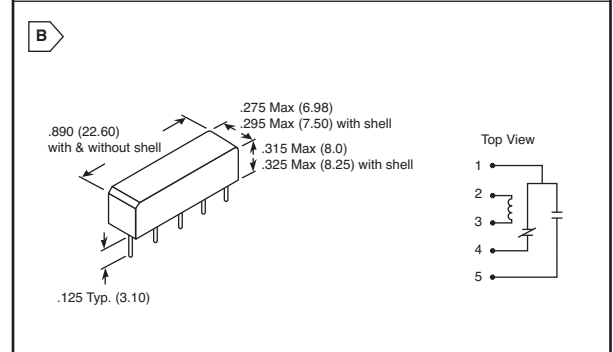
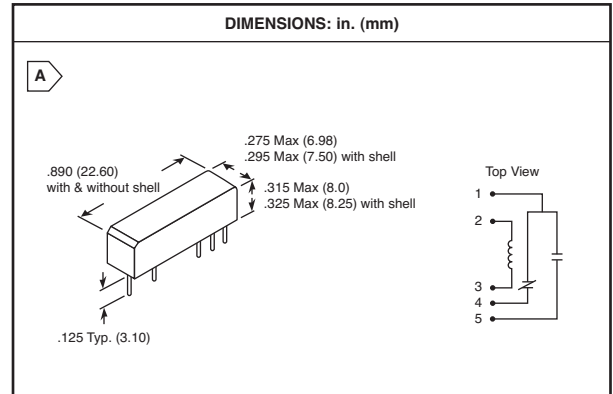
Specifications:

- Storage Temperature: -35°C to +100°C
- Operate Temperature: -20°C to +85°C
- Solder Temperature: 270°C max 10 sec. max
- Vibration: 20G's to 2000Hz Shock: 50G's
- Switching Current: .4
- Carry Current (A): 1.0



For quantities of 250 and up, call for quote.

MOUSER STOCK NO.	Coto Part No.	Fig.	Coil Voltage	Coil Resist.	Operate Voltage	Release Voltage	Price Each			
							1	10	50	100
816-9081C-05-00	9081C-05-00	A	5	125	3.75	0.4	10.14	8.58	7.17	5.85
816-9081C-05-10	9081C-05-10	A	5	125	3.75	0.4	10.17	8.55	7.07	5.80
816-9081C-12-00	9081C-12-00	A	12	500	9.00	1.0	10.34	8.74	7.31	5.96
816-9081C-12-10	9081C-12-10	A	12	500	9.00	1.0	10.34	8.70	7.19	5.90
816-9081C-24-00	9081C-24-00	A	24	2000	18.00	2.0	10.50	8.88	7.42	6.05
816-9081C-24-10	9081C-24-10	A	24	2000	18.00	2.0	10.46	8.81	7.28	5.97
816-9081C1-05-00	9081C1-05-00	B	5	125	3.75	0.4	10.14	8.58	7.17	5.85
816-9081C1-05-10	9081C1-05-10	B	5	125	3.75	0.4	10.34	8.70	7.19	5.90
816-9081C1-12-00	9081C1-12-00	B	12	500	9.00	1.0	10.34	8.74	7.31	5.96
816-9081C1-12-10	9081C1-12-10	B	12	500	9.00	1.0	10.34	8.70	7.19	5.90
816-9081C1-24-00	9081C1-24-00	B	24	2000	18.00	2.0	10.50	8.88	7.42	6.05
816-9081C1-24-10	9081C1-24-10	B	24	2000	18.00	2.0	2.97	2.73	2.51	2.36



9092 SERIES: MINIATURE SIP RELAYS

Features:

- 10W SIP relay measuring .600" x .150" x .350"
- High speed switching
- Molded thermoset body on integral lead frame design
- High insulation resistance
- Magnetic Shield Option
- Diode Option

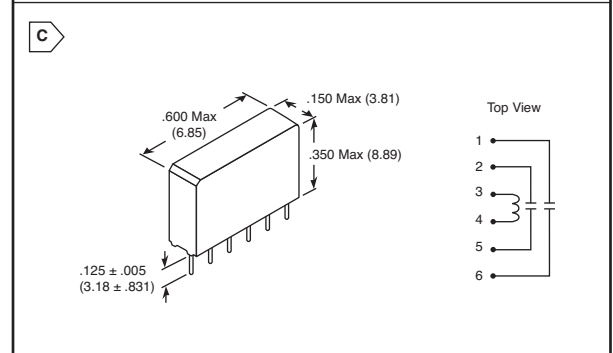
Specifications:

- Storage Temperature: -35°C to +100°C
- Operate Temperature: -20°C to +85°C
- Solder Temperature: 270°C max 10 sec. max
- Vibration: 20G's to 2000Hz Shock: 50G's
- Switching Current (A): 0.5
- Carry Current (A): 1.2



For quantities of 250 and up, call for quote.

MOUSER STOCK NO.	Coto Part No.	Fig.	Coil Voltage	Coil Resist.	Operate Voltage	Release Voltage	Price Each			
							1	10	50	100
816-9092-05-10	9092-05-10	C	5	375	3.75	0.4	7.03	6.66	6.24	5.99
816-9092-05-11	9092-05-11	C	5	375	3.75	0.4	7.13	6.75	6.33	6.08
816-9092-12-10	9092-12-10	C	12	750	9.0	1.0	7.06	6.65	6.27	6.02
816-9092-12-11	9092-12-11	C	12	750	9.0	1.0	7.15	6.73	6.35	6.09



9104 SERIES: HIGH VOLTAGE SIP REED RELAYS

Features:

- High voltage switching up to 1000V
- High speed switching
- Molded thermoset body on integral lead frame design
- High insulation resistance
- High dielectric strength 2000VDC
- Diode Option

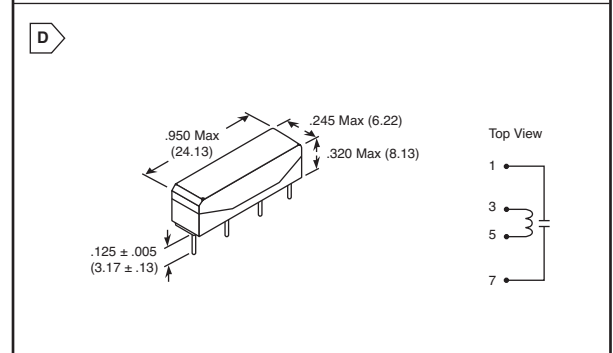
Specifications:

- Storage Temp: -35°C to +100°C
- Operate Temp: -20°C to +85°C
- Solder Temp: 270°C max 10 sec. max
- Vibration: 20G's to 2000Hz Shock: 50G's
- Switching Current (A): .5
- Carry Current (A): 1.3



For quantities of 250 and up, call for quote.

MOUSER STOCK NO.	Coto Part No.	Fig.	Coil Voltage	Coil Resist.	Operate Voltage	Release Voltage	Price Each			
							1	10	50	100
816-9104-05-10	9104-05-10	D	5	175	3.75	0.5	7.03	6.66	6.24	5.99
816-9104-05-11	9104-05-11	D	5	175	3.75	0.5	7.13	6.75	6.33	6.08
816-9104-12-10	9104-12-10	D	12	500	9.0	1.0	7.06	6.65	6.27	6.02
816-9104-12-11	9104-12-11	D	12	500	9.0	1.0	7.15	6.73	6.35	6.09



9117 SERIES: MINIATURE SIP RELAYS

Features:

- 9117 is the smallest 3W SIP relay (.270"x.150"x.385")
- High speed switching
- High insulation resistance
- High reliability, hermetically sealed contacts
- Molded thermoset body on integral lead frame design
- Diode Option

Specifications:

- Storage Temperature: -35°C to +100°C
- Operate Temperature: -20°C to +85°C
- Solder Temperature: 270°C max 10 sec. max
- Vibration: 20G's to 2000Hz Shock: 50G's
- Switching Current (A): .25
- Carry Current (A): .5



For quantities of 250 and up, call for quote.

MOUSER STOCK NO.	Coto Part No.	Fig.	Coil Voltage	Coil Resist.	Operate Voltage	Release Voltage	Price Each			
							1	10	50	100
816-9117-05-10	9117-05-10	E	5	400	3.75	0.5	7.23	6.85	6.42	6.16
816-9117-05-11	9117-05-11	E	5	400	3.75	0.5	7.33	6.94	6.51	6.25

