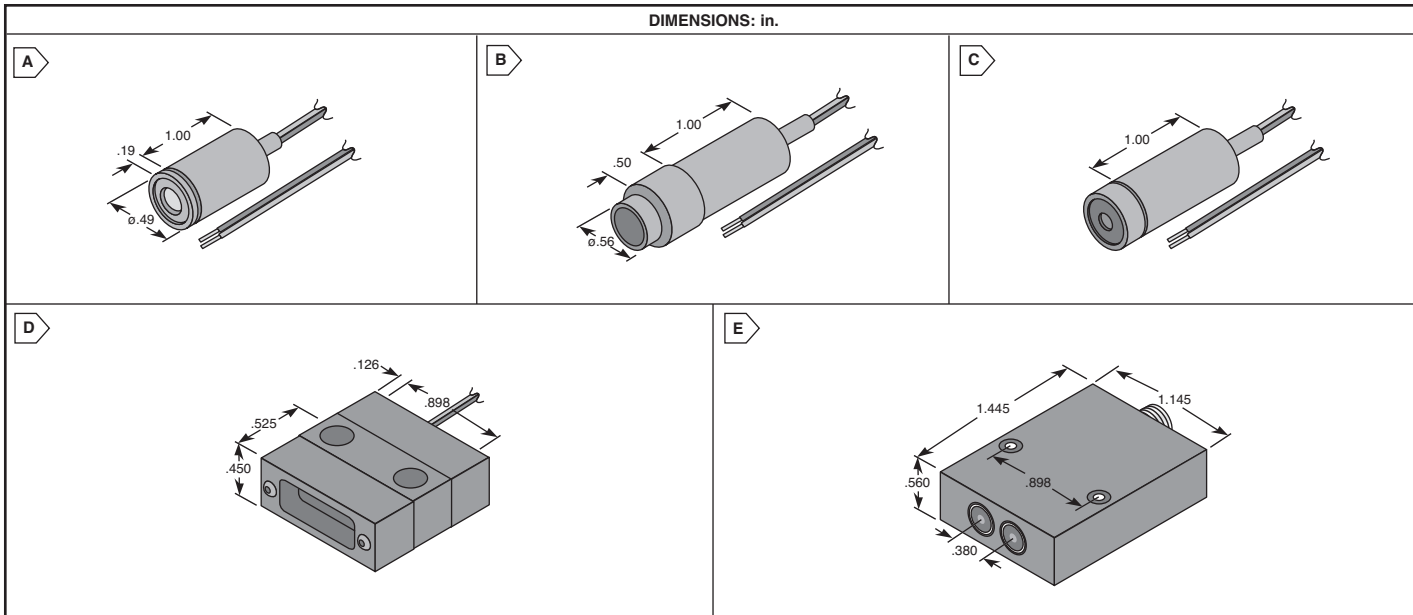


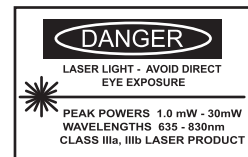
DLC Diode Laser Modules

DIODE LASER CONCEPTS



DLC STANDARD LASER MODULES

- Voltage Required: 5.0VDC (regulated)
- Wire Leads: 7in. long; (+) red, (-) black
- Line Width: 1mm (nominal)
- Emissions Indicator: Green LED
- Internal Electronics: Static, Surge and Reverse Polarity Protected
- Mechanical Axis Alignment to Optic Axis: 1/4 degree (1/2 angle)
- Anodized Aircraft Aluminum
- Warranty: Limited 2 year



MOUSER STOCK NO.	DLC Part No.	Fig.	Wavelength (nm)	1/2 Angle Beam Divergence (mrad)	Output Power (mW)	Laser Class	Typical Operating Current (mA)	Max. Operating Current (mA)	Beam Size @ Exit Aperture	Price Each	
										1	5
Elliptical Beams											
543-211122-0001	211122-0001	A	635	.67 x 17	0.97	II	55	85	5.0mm x 1.2mm	169.00	156.94
543-2111A2-0001	2111A2-0001	A	635	.67 x 17	4.2	IIIa	60	90	5.0mm x 1.2mm	169.00	156.94
543-2111B2-0004	2111B2-0004	A	635	.67 x 17	8.2	IIIb	65	95	5.0mm x 1.2mm	238.00	222.11
543-FA5-RS3-H0	FA5-RS3-H0	A	635	.67 x 17	12.4	IIIb	80	110	5.0mm x 1.2mm	391.00	364.42
543-FA5-RS5-10	FA5-RS5-10	A	650	.67 x 17	0.97	II	35	65	5.0mm x 1.2mm	114.00	106.40
543-2218A2-0005	2218A2-0005	A	650	.67 x 17	4.2	IIIa	40	70	5.0mm x 1.2mm	114.00	106.40
Round Beams											
543-211222-0002	211222-0002	B	635	0.25	0.97	II	55	85	3.0mm	189.00	175.56
543-FA5-RS3-8R	FA5-RS3-8R	B	635	0.25	2.1	IIIa	65	95	3.0mm	258.00	240.73
543-FA5-RS3-HR	FA5-RS3-HR	B	635	0.25	3.1	IIIa	75	110	3.0mm	411.00	383.04
543-281222-0001	281222-0001	B	650	0.25	0.97	II	40	70	3.0mm	134.00	125.02

Line Generators

MOUSER STOCK NO.	DLC Part No.	Fig.	Wavelength (nm)	(Line Thickness) 1/2 Angle Beam	Power Rating (mW)	Laser Class	Typical Operating Current (mA)	Max. Operating Current (mA)	Full Fan Angle	Price Each	
										1	5
Elliptical Beams											
543-FA5-RL3-11	FA5-RL3-11	C	635	0.39	5	II	55	85	10°	199.00	184.87
543-211322-0007	211322-0007	C	635	0.39	5	II	55	85	45°	199.00	184.87
543-211322-0005	211322-0005	C	635	0.39	5	II	55	85	60°	199.00	184.87
543-FA5-RL3-19	FA5-RL3-19	C	635	0.39	5	II	55	85	90°	199.00	184.87
543-281322-0003	281322-0003	C	655	0.39	5	II	40	70	10°	156.00	144.97
543-FA5-RL5-14	FA5-RL5-14	C	650	0.39	5	II	40	70	45°	156.00	144.97
543-281322-0001	281322-0001	C	650	0.39	5	II	40	70	60°	156.00	144.97
543-FA5-RL5-19	FA5-RL5-19	C	650	0.39	5	II	40	70	90°	156.00	144.97

DLC CROSS HAIR GENERATOR MODULES

- Voltage Required: 5.0VDC (regulated)
- Line Width (nominal) Standard Unit: 1mm (to 4' distance) Long Range Unit: 1mm (to 15' distance)
- Emissions Indicator: Red LED
- Internal Electronics: Static, Surge and Reverse Polarity Protected
- Wire Leads: 7in. long, (+) red, (-) black
- Anodized Aircraft Aluminum
- Warranty: Limited 2 year

MOUSER STOCK NO.	DLC Part No.	Fig.	Wavelength (nm)	(Line Thickness) 1/2 Angle Beam	Power Rating (mW)	Laser Class	Typical Operating Current (mA)	Max. Operating Current (mA)	Full Fan Angle	Price Each	
										1	5
Standard Distance											
543-FAY-CH3-16	FAY-CH3-16	D	635	0.39	5 x 2	II	120	170	60°	451.56	429.30
543-FAY-CH3-19	FAY-CH3-19	D	635	0.39	5 x 2	II	120	170	90°	451.56	429.30
543-631322-0001	631322-0001	D	650	0.39	5 x 2	II	80	140	60°	337.96	321.30
543-FAY-CH5-19	FAY-CH5-19	D	650	0.39	5 x 2	II	80	140	90°	337.96	321.30
Long Range Distance											
543-611322-0004	611322-0004	E	635	0.13	5 x 2	II	120	190	45°	439.00	408.31