

Pushwheel / Thumbwheel Switches

G&K 3U SERIES TINY PUSHWHEEL SWITCHES

- Matte black housing
- Extended actuator
- Black pushbuttons
- Gloss black wheel
- White vertical characters
- No stops

For quantities of 250 and up, call for quote.

MOUSER STOCK NO.	C&K Part No.	Fig.	Description	Number of Positions	Price Each			
					1	25	50	100
611-3U0210000	3U0210000	A	BCD 1-2-4-8 without dust lens	0-9	12.80	7.65	7.60	7.52
611-3U0210002	3U0210002	A	BCD 1-2-4-8 with dust lens	0-9	12.80	8.00	7.91	7.85
611-113B02000	113B02000	---	Left end cap 3U series	---	.38	.36	.34	.33
611-114B02000	114B02000	---	Right end cap 3U series	---	.38	.36	.34	.33



RoHS Compliant

For quantities of 250 and up, call for quote.

Assembly Screws (2 required)

MOUSER STOCK NO.	C&K Part No.	Front Mount	Rear Mount	Price Each			
				1	25	50	100
611-412701000	412701000	3-4	3	1.73	1.63	1.50	1.45
611-412702000	412702000	5-7	4-6	1.75	1.65	1.51	1.46



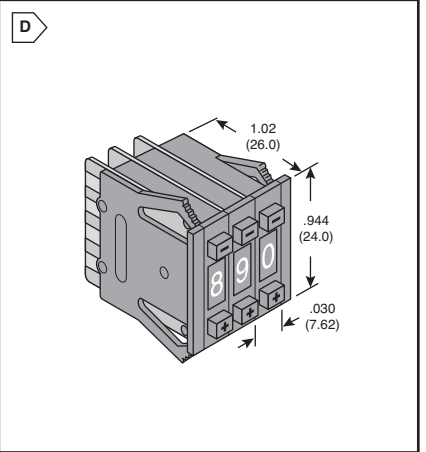
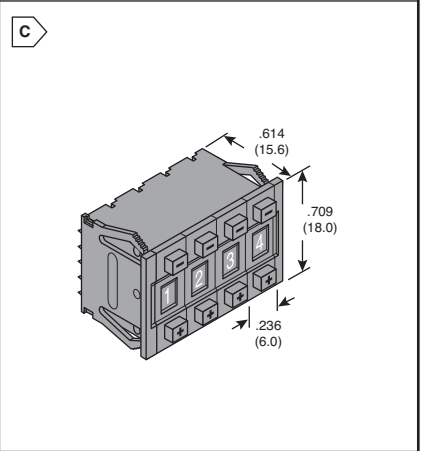
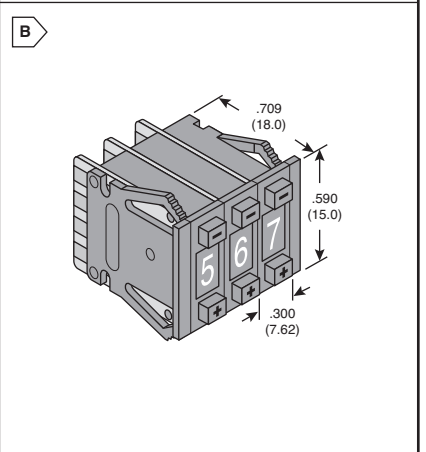
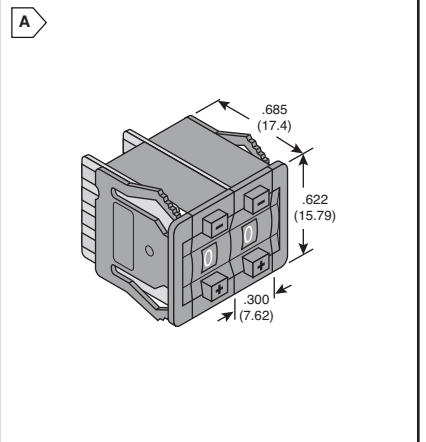
RoHS Compliant

Accessories

For quantities of 250 and up, call for quote.

MOUSER STOCK NO.	C&K Part No.	Description	Price Each			
			1	25	50	100
611-413402000	413402000	End plate, front mount (2 required)	1.19	1.13	1.03	1.00
611-413502000	413502000	Spacer, front mount	1.47	1.39	1.27	1.23
611-400802000	400802000	Spacer, rear mount	1.11	1.05	.96	.93
611-402900000	402900000	Stop pin, front and rear mount	.19	.18	.17	.16
611-403500000	403500000	Hex nut (2 required)	.18	.17	.162	.148
611-406100652	406100652	Hex nut driver	6.40	6.06	5.54	5.36

DIMENSIONS: in. (mm)



CHERRY PA SERIES

- Front mounting
- Module dimensions: 7.62 x 15 x 18 mm
- Connection with Q.C. terminals or solder pins
- Black housing
- Mounting depth: 24 or 34.5mm



RoHS Compliant

For quantities of 500 and up, call for quote.

MOUSER STOCK NO.	Cherry Part No.	Fig.	Number of Positions	Read-Out	Output Code	Finish	Price Each			
							1	50	100	250
540-PACA-3000	PACA-3000	B	10	0-9	BCD	Matte	16.00	12.80	10.56	9.60
Accessories for PA Series							Description			
540-0609-0799	0609-0799				Right End Cap		.55	.48	.44	.40
540-0609-0801	0609-0801				Left End Cap		.55	.48	.44	.40
540-C2K0-P107	C2K0-P107				Connector with Solder pins for PA series		3.91	3.12	2.58	2.34

CHERRY PB SERIES

- Front mounting
- Module dimensions: 6 x 18 x 15.6 mm
- Connection with solder pins
- Black housing
- Mounting depth: 19.5 mm



RoHS Compliant

For quantities of 500 and up, call for quote.

MOUSER STOCK NO.	Cherry Part No.	Fig.	Number of Positions	Read-Out	Output Code	Finish	Price Each			
							1	50	100	250
540-PBC1-E015	PBC1-E015	C	10	0-9	BCD w/PC Pins	Matte	9.15	7.32	6.04	5.49
Accessories for PB Series							Description			
540-0609-1346	0609-1346				Left End Cap		.55	.48	.44	.40
540-0609-1347	0609-1347				Right End Cap		.55	.48	.44	.40

CHERRY PE SERIES

- Front mounting
- Module dimensions: 7.62 x 24 x 26 mm
- Connection with Q.C. terminals or solder pins
- Black housing
- Mounting depth: 32 or 42 mm



RoHS Compliant

For quantities of 500 and up, call for quote.

MOUSER STOCK NO.	Cherry Part No.	Fig.	Number of Positions	Read-Out	Output Code	Finish	Price Each			
							1	50	100	250
540-PEAA-3000	PEAA-3000	D	10	0-9	Decimal	Matte	18.49	14.79	12.20	11.09
540-PECA-3000	PECA-3000	D	10	0-9	BCD	Matte	18.03	14.42	11.90	10.82
540-PECA-4000	PECA-4000	D	10	0-9	BCD*	Matte	22.85	18.28	15.08	13.71
540-PEGA-3000	PEGA-3000	D	16	0-15	Hex	Matte	24.85	19.88	16.40	14.91
540-PEHA-3000	PEHA-3000	D	16	0-9,A-F	Hex	Matte	24.53	19.62	16.19	14.72
Accessories for PE Series							Description			
540-0609-0754	0609-0754				Left End Cap for PE series		.55	.48	.44	.40
540-0609-0756	0609-0756				Right End Cap for PE series		.55	.48	.44	.40
540-C2R0-P111	C2R0-P111				Connector with Solder pins for PE series		4.17	3.34	2.75	2.50

* With extended board for diodes
© Copyright 2009 Mouser Electronics

© Copyright 2009 Mouser Electronics

Thumbwheel Switches