

OMRON Coded Rotary Switches



RoHS Compliant This product is RoHS compliant.

OMRON A6E/A6ER SERIES: DIP SWITCHES

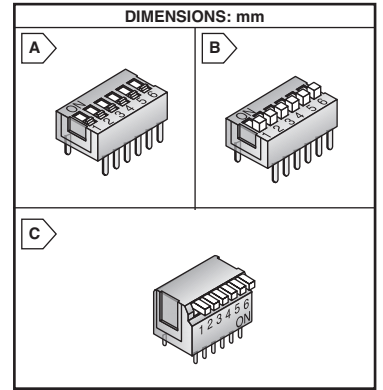
- Features:**
- The sealed bottom prevents flux penetration

- Specifications:**
- Switching Capacity: 25mA at 24 VDC
 - Contact Resistance: 200mΩ max.
 - Dielectric Strength: 500VAC for 1 min. between terminals of same polarity, and between terminals of different polarity



For quantities of 500 and up, call for quote.

MOUSER STOCK NO.	Omron Part No.	Fig.	Length (mm)	Number of Positions	Actuation	Price Each			
						1	25	50	100
653-A6E2101	A6E-2101	A	6.64	2	Flat	1.28	1.21	1.06	.96
653-A6E6101	A6E-6101	A	16.80	4	Flat	1.93	1.74	1.54	1.39
653-A6E-2104	A6E-2104	B	6.64	2	Raised	1.40	1.32	1.17	1.05
653-A6E-4101	A6E-4101	A	11.72	4	Flat	1.57	1.40	1.25	1.13
653-A6E-4104	A6E-4104	B	11.72	4	Raised	1.61	1.44	1.28	1.15
653-A6E-8101	A6E-8101	A	21.88	8	Flat	2.23	2.11	1.87	1.69
653-A6E-8104	A6E-8104	B	21.88	8	Raised	2.35	2.11	1.87	1.69
653-A6ER-2104	A6ER-2104	C	6.64	2	Side (long-lever)	2.72	2.54	1.54	1.51
653-A6ER-4104	A6ER-4104	C	11.72	4	Side (long-lever)	2.01	1.90	1.69	1.52
653-A6ER-8104	A6ER-8104	C	21.88	8	Side (long-lever)	3.04	2.73	2.43	2.19



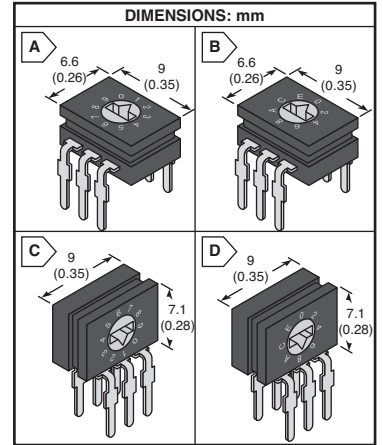
OMRON A6C SERIES: HIGHLY RELIABLE SUBMINIATURE DIP SWITCHES

- Features:**
- Precision rotary cam and contactor drive provide high reliability
 - Subminiature: 9(W)x6.6(L)x4.5(H) mm
 - Molded base and rotor sealed by o-ring; eliminates the need for tape sealing



For quantities of 500 and up, call for quote.

MOUSER STOCK NO.	Omron Part No.	Fig.	Output Code Type	Number of Positions	Actuation	Price Each			
						1	25	50	100
653-A6C-10RN	A6C-10RN	A	BCD	10	Top	3.04	2.95	2.80	2.62
653-A6C-16RN	A6C-16RN	B	BCD Hexidecimal	16	Top	4.27	3.81	3.70	3.41
653-A6CV-10R	A6CV-10R	C	BCD	10	Side	4.04	3.72	3.48	3.36
653-A6CV-16R	A6CV-16R	D	BCD Hexidecimal	16	Side	4.42	4.07	3.81	3.60



OMRON A6RS/A6R/A6RV SERIES: ROTARY DIP SWITCHES

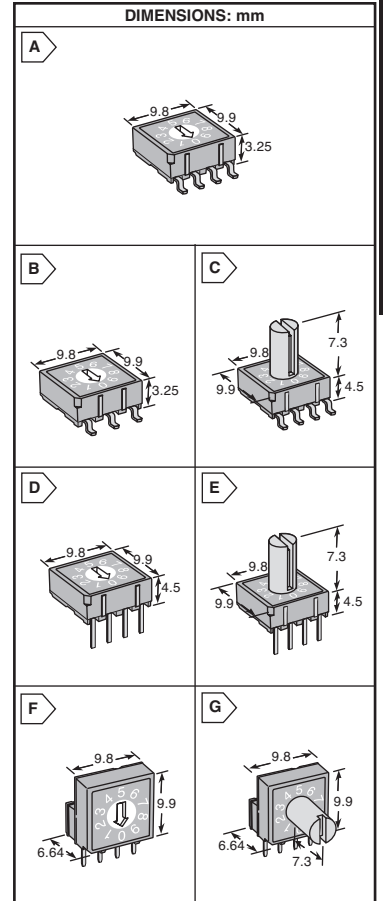
A6S Series

- Features:**
- Surface Mount
 - Temperature-resistant resin allows use in peak reflow temperatures of 260° C.
 - Series includes flat and extended-shaft models.
 - Two different types of terminal arrangement are available to allow flexibility in the circuit design.



For quantities of 500 and up, call for quote.

MOUSER STOCK NO.	Omron Part No.	Fig.	Number of Positions	Terminal Arrangement	Price Each			
					1	25	50	100
653-A6RS-101RF	A6RS-101RF	A	10	4 x 1	2.76	2.67	2.63	2.56
653-A6RS-102RF	A6RS-102RF	B	10	3 x 3	2.76	2.67	2.63	2.56
653-A6RS-161RF	A6RS-161RF	A	16	4 x 1	2.95	2.85	2.81	2.73
653-A6RS-162RF	A6RS-162RF	B	16	3 x 3	2.95	2.85	2.81	2.73
653-A6RS-101RS	A6RS-101RS	C	10	4 x 1	3.04	2.94	2.89	2.82
653-A6RS-161RS	A6RS-161RS	C	16	4 x 1	3.23	3.12	3.07	2.99
653-A6RS-162RS	A6RS-162RS	C	16	3 x 3	3.23	3.12	3.07	2.99



A6R/A6RV Series

- Specifications:**
- Rating: 25mA @ 24 VDC
 - Contact resistance: 200mΩ
 - Dielectric strength: 250VAC for 1 minute

- Features:**
- Low-cost
 - O-ring sealed construction



For quantities of 500 and up, call for quote.

MOUSER STOCK NO.	Omron Part No.	Fig.	No. of Positions	Description	Price Each			
					1	25	50	100
653-A6R-101RF	A6R-101RF	D	10	Top-actuated, flat, real code, 4 x 1 terminal arrangement	2.97	2.67	2.37	2.14
653-A6R-102RF	A6R-102RF	D	10	Top actuated, flat, true BCD, 3 x 3 terminal arrangement	2.97	2.67	2.37	2.14
653-A6R-161RF	A6R-161RF	D	16	Top actuated, flat, true hexadecimal, 4 x 1 terminal arrangement	3.18	2.85	2.54	2.28
653-A6R-162RF	A6R-162RF	D	16	Top actuated, flat, true hexadecimal, 3 x 3 terminal arrangement	3.18	2.85	2.54	2.28
653-A6R-101RS	A6R-101RS	E	10	Top actuated, ext. shaft, true BCD, 4 x 1 terminal arrangement	3.27	2.94	2.61	2.35
653-A6R-102RS	A6R-102RS	E	10	Top actuated, ext. shaft, true BCD, 3 x 3 terminal arrangement	3.27	2.94	2.61	2.35
653-A6R-161RS	A6R-161RS	E	16	Top actuated, ext. shaft, true hexadecimal, 4 x 1 terminal arrangement	2.42	2.35	2.30	2.22
653-A6R-162RS	A6R-162RS	E	16	Top actuated, ext. shaft, true hexadecimal, 3 x 3 terminal arrangement	3.48	3.13	2.78	2.53
653-A6RV-101RF	A6RV-101RF	F	10	Side-actuated, flat, real code, 4 x 1 terminal arrangement	3.37	3.03	2.69	2.45
653-A6RV-102RF	A6RV-102RF	F	10	Side actuated, flat, true BCD, 3 x 3 terminal arrangement	3.23	2.99	2.66	2.49
653-A6RV-161RF	A6RV-161RF	F	16	Side actuated, flat, true hexadecimal, 4 x 1 terminal arrangement	3.40	3.21	2.86	2.57
653-A6RV-162RF	A6RV-162RF	F	16	Side actuated, flat, true hexadecimal, 3 x 3 terminal arrangement	3.57	3.21	2.85	2.57
653-A6RV-101RS	A6RV-101RS	G	10	Side actuated, ext. shaft, true BCD, 4 x 1 terminal arrangement	3.67	3.30	2.93	2.64
653-A6RV-102RS	A6RV-102RS	G	10	Side actuated, ext. shaft, true BCD, 3 x 3 terminal arrangement	3.67	3.30	2.93	2.64
653-A6RV-161RS	A6RV-161RS	G	16	Side actuated, ext. shaft, true hexadecimal, 4 x 1 terminal arrangement	3.87	3.48	3.10	2.79

