

Coded Rotary DIP Switches

APM ROTARY DIP SWITCHES

Specifications:

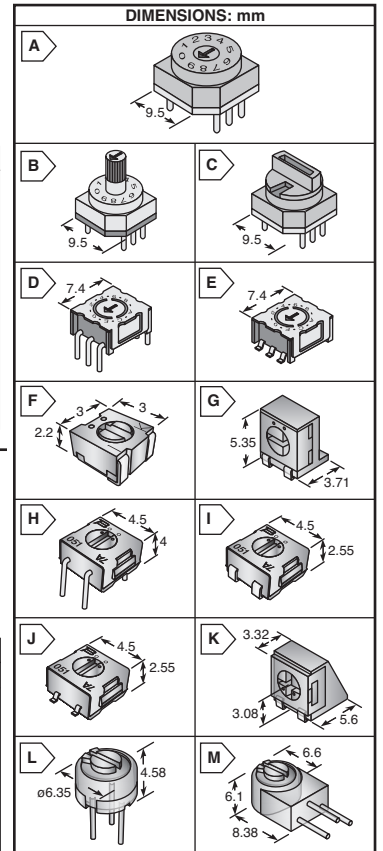
- Operating voltage: 24VDC max
- Contact rating, static: 400mA max

Features:

- 3 + 3 terminal layout
- Completely sealed for process compatibility
- Clockwise or counterclockwise settable
- Solder coated terminals

For quantities of 500 and up, call for quote.

MOUSER STOCK NO.	Apm Part No.	Fig.	No. of Positions	Description	Price Each			
					1	25	50	100
Thru-Hole								
642-PT65101	PT65101	A	10	True Binary coded decimal	4.30	3.85	3.63	3.21
642-PT65106	PT65106	A	16	Complimentary binary coded decimal	6.14	5.52	5.22	4.60
642-PT65301	PT65301	B	10	True Binary coded decimal	6.18	5.56	5.25	4.92
642-PT65303	PT65303	B	16	Complimentary binary coded hexadecimal	7.05	6.36	6.00	5.29
642-PT65501	PT65501	C	10	True Binary coded decimal	6.34	6.03	5.71	5.40
642-PT65503	PT65503	C	16	Complimentary binary coded hexadecimal	9.25	8.65	8.16	7.63
642-P36101	P36101	D	10	True Binary coded decimal	4.70	4.20	3.96	3.70
642-P36103	P36103	D	16	Complimentary binary coded hexadecimal	4.70	4.20	3.96	3.70
Surface Mount								
642-P36S101	P36S101	E	10	True Binary coded decimal	4.98	4.72	4.48	4.27
642-P36S103	P36S103	E	16	Complimentary binary coded decimal	4.77	4.30	4.05	3.53



BOURNS SEALED ROTARY SWITCHES

Specifications:

- Contact Form: SPST
- Max. Current Rating: 100mA
- Max. Voltage Rating: 16V
- Contact Timing: Non-Shorting
- Rotational Life: 2000 cycles

Features:

- Tape and Reel packaging on surface mount terminal types.

Applications:

- Security Systems
- Portable Electronics
- Instrumentation

For quantities of 500 and up, call for quote.

MOUSER STOCK NO.	Bourns Part No.	Fig.	Size (mm)	Terminal Type	Package Quantity	Price Each			
						1	25	50	100
652-7813J-1-023E	7813J-1-023E	F	3	SMD J-Hook	1000	1.91	1.78	1.58	1.45
652-7813S-1-023E	7813S-1-023E	G	3	SMD Right angle	200	2.12	1.97	1.75	1.61
652-7814H-1-023	7814H-1-023	H	4	Through-hole	100	2.12	1.97	1.75	1.61
652-7814J-1-023E	7814J-1-023E	I	4	SMD J-Hook	500	1.91	1.78	1.58	1.45
652-7814G-1-023E	7814G-1-023E	J	4	SMD Gull wing	500	1.91	1.78	1.58	1.45
652-7814Z-1-023E	7814Z-1-023E	K	4	SMD Right angle	200	2.12	1.97	1.75	1.61
652-7829H-1-023	7829H-1-023	L	ø6	Through-hole	50	1.62	1.51	1.34	1.23
652-7829S-1-023	7829S-1-023	M	ø6	Right angle through-hole	50	1.83	1.70	1.51	1.39

G&K CD SERIES: 8MM ULTRA-MINIATURE CODED ROTARY

Specifications:

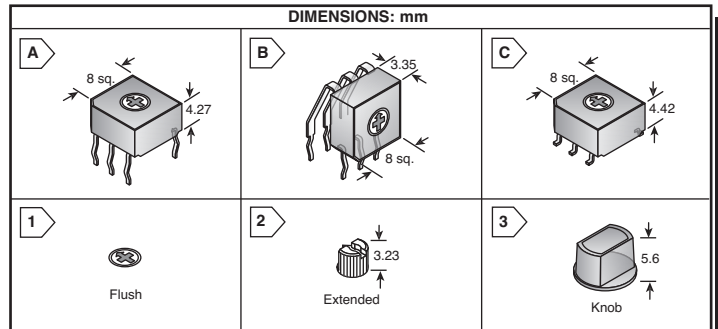
- Process sealed to withstand soldering and cleaning
- Contact rating: 0.4 VA max. @ 20 VAC or VDC max.
- Mechanical and Electrical life: 20,000 actuations
- Dielectric Strength: 250 V RMS min.



RoHS Compliant

For quantities of 250 and up, call for quote.

MOUSER STOCK NO.	Mfr. Part No.	Fig.	Pos.	Code Configuration	Actuator	Price Each			
						1	25	50	100
PC Thru-Hole									
611-CD10RM0CB	A	10	Binary Coded Decimal, True	1	3.66	3.49	3.32	3.15	
611-CD10RL1CB	A	10	Binary Coded Decimal, True	2	4.21	4.01	3.82	3.61	
611-CD16RL1CB	A	16	Hexadecimal, True	2	4.61	4.40	4.18	3.96	
611-CD16RK1CB	A	16	Hexadecimal, True	3	5.31	5.07	4.82	4.57	
Right Angle, PC Thru - Hole									
611-CD16RM0AB	B	16	Hexadecimal, True	1	4.77	4.55	4.33	4.10	
611-CD16RL1AB	B	16	Hexadecimal, True	2	5.30	5.05	4.80	4.55	
611-CD16RK1AB	B	16	Hexadecimal, True	3	6.00	5.72	5.44	5.16	
Surface Mount									
611-CD16RM0SB	C	16	Hexadecimal, True	1	4.55	4.34	4.13	3.91	
611-CD16RK1SB	C	16	Hexadecimal, True	3	5.84	5.57	5.29	5.02	



G&K CRD SERIES: 10MM CODED ROTARY SWITCHES

Specifications:

- Process sealed to withstand soldering and cleaning
- Flush, Screwdriver slot actuator
- Contact rating: 0.4 VA max. @ 20 VAC or VDC max.
- Mechanical Life: 20,000 actuations @ 5 VDC 10 mA
- Electrical Life: 30,000 actuations
- Dielectric Strength: 300 VAC for 1 minute



RoHS Compliant

For quantities of 250 and up, call for quote.

MOUSER STOCK NO.	Mfr. Part No.	Fig.	Pos.	Code Configuration	Price Each			
					1	25	50	100
PC Thru-Hole								
611-CRD10RM0CB	D	10	Binary Coded Decimal, True	3.67	3.50	3.33	3.16	
611-CRD10CM0CB	D	10	BCD, Compliment	3.67	3.50	3.33	3.16	
611-CRD16RM0CB	D	16	Hexadecimal, True	4.03	3.84	3.65	3.47	
611-CRD16CM0CB	D	16	Hexadecimal, Compliment	4.03	3.84	3.65	3.47	
Right Angle, PC Thru-Hole								
611-CRD16RM0AB	E	16	Hexadecimal, True	4.76	4.54	4.32	4.10	
611-CRD16CM0AB	E	16	Hexadecimal, Compliment	4.67	4.45	4.24	4.02	
Surface Mount								
611-CRD10RM0SB	F	10	Binary Coded Decimal, True	4.14	3.95	3.75	3.56	
611-CRD10CM0SB	F	10	BCD, Compliment	4.14	3.95	3.75	3.56	
611-CRD16RM0SB	F	16	Hexadecimal, True	4.54	4.33	4.12	3.91	
611-CRD16CM0SB	F	16	Hexadecimal Compliment	3.83	3.33	3.12	2.80	

True		Code							
Type	Position	C	1	2	4	8			
BCD	0
	1
	2
	3
	4
	5
	6
	7
	8
	9
Hexadecimal	A
	B
	C
	D
	E
	F

