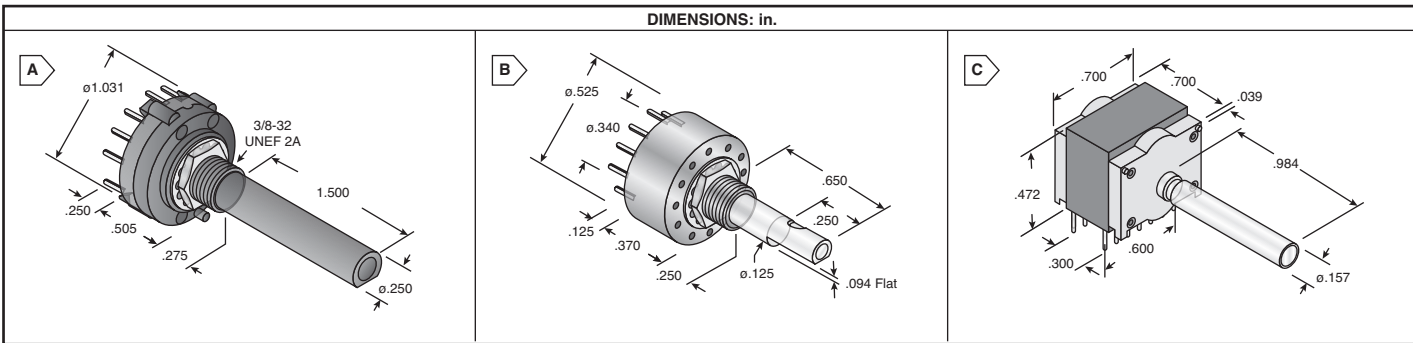


C&K Rotary Switches



C&K SERIES A: 1-4 POLE ROTARY SWITCHES

Features/Benefits:

- Multi-pole and multi-position
- Positive detent
- Non-shorting contacts
- Panel and PCB mounting

Specifications:

- Contact Rating: 2.5A @ 125VAC; 350mA @ 125 VDC
- Dielectric Strength: 1000 Vrms min. @ sea level
- Insulation Resistance: 10⁹Ω min.
- Contact Material: Silver

Typical Application:

- Automotive
- Major and small appliances
- Industrial equipment



For quantities of 250 and up, call for quote.

MOUSER STOCK NO.	C&K Part No.	Fig.	Number of Positions	Number of Poles	Terminals	Price Each			
						1	25	50	100
* 611-A10015RSCQ	A10015RSCQ	A	12	SP	PCB	5.25	4.97	4.54	4.40
* 611-A11205RNCQ	A11205RNCQ	A	12	SP	PCB	5.16	4.88	4.46	4.05
611-A112-15	A11215RNCQ	A	12	SP	PCB	4.99	4.72	4.31	3.87
611-A11215RNZQ	A11215RNZQ	A	12	SP	Solder	4.99	4.72	3.75	3.55
611-A12515RNZQ	A12515RNZQ	A	8	SP	Solder	4.69	3.83	3.75	3.62
611-A10615RSZQ	A10615RSZQ	A	6	SP	Solder	4.08	3.86	3.53	3.42
611-A20615RNCQ	A20615RNCQ	A	6	DP	PCB	5.28	4.99	4.57	4.09
611-A20615RNZQ	A20615RNZQ	A	6	DP	Solder	5.28	4.99	4.57	4.09
** 611-A30403RNZQ	A30403RNZQ	A	4	3P	Solder	5.40	5.10	4.67	4.22
611-A30415RNCQ	A30415RNCQ	A	4	3P	PCB	5.22	4.66	4.38	4.03
611-A30415RNZQ	A30415RNZQ	A	4	3P	Solder	5.22	4.66	4.38	4.03
611-A40315RNZQ	A40315RNZQ	A	3	4P	Solder	5.71	5.40	4.94	4.43

* .50" Actuator shaft

** .375" Actuator shaft

C&K SERIES M: HALF-INCH ROTARY SWITCHES

Features/Benefits:

- Multi-pole and multi-positions
- Panel and PCB mounting
- Stainless steel actuator
- Non-shorting contacts

Specifications:

- Contact Rating: Carry 6A cont.; Switch 250mA max. @ 125 VAC or 28 VDC
- Dielectric Strength: 600 Vrms min. @ sea level
- Insulation Resistance: 10¹⁰Ω min.
- Contact Material: Copper alloy, silver plated
- MA, MB, and MD supplied with stop pins; MD, ME, and MH supplied with stop rings

Typical Application:

- Test equipment
- Industrial equipment
- Medical equipment



RoHS Compliant

For quantities of 250 and up, call for quote.

MOUSER STOCK NO.	C&K Part No.	Fig.	Number of Positions	Number of Poles	Terminals	Price Each			
						1	25	50	100
611-MA00L1NCQD	MA00L1NCQD	B	10	SP	PCB	8.72	8.32	7.91	7.51
611-ME00L1NCQD	ME00L1NCQD	B	10	SP	PCB	8.72	8.32	7.91	7.51
611-ME00L1NZQD	ME00L1NZQD	B	10	SP	Solder	7.94	7.45	7.11	6.67
611-MA00L1NZQD	MA00L1NZQD	B	10	SP	Solder	10.46	9.79	9.35	8.39
611-MD00L1NZQD	MD00L1NZQD	B	6	DP	Solder	11.96	11.21	10.69	9.60
611-MH00L1NZQD	MH00L1NZQD	B	6	DP	Solder	9.60	9.15	8.70	8.26
611-MB00L1NZQD	MB00L1NZQD	B	5	DP	Solder	12.80	11.79	11.74	9.33

Hardware

For quantities of 250 and up, call for quote.

MOUSER STOCK NO.	C&K Part No.	Fig.	Description	Price Each			
				1	25	50	100
611-537100000	537100000	--	Replacement stop pins	.21	.20	.19	.18

C&K SERIES MIL: 1-4 POLES RIGHT ANGLE ROTARY SWITCHES

Features/Benefits:

- Bushing option for panel mount
- 1-4 poles per bank and up to 5 banks per switch
- Totally sealed, insert molded contact and terminals
- Low profile - 12mm above PCB

Specifications:

- Contact Rating: Carry 1A; Switch 20mA, 1 VA max.
- Dielectric Strength: 500 Vrms
- Insulation Resistance: 10⁹Ω
- Contact Material: Brass, gold plated

Typical Application:

- Telecom switching equipment
- Military communications
- Instrumentation
- Medical monitors



RoHS Compliant

For quantities of 250 and up, call for quote.

MOUSER STOCK NO.	C&K Part No.	Fig.	Number of Positions	Number of Poles	Terminals	Price Each			
						1	25	50	100
611-MIL1112SNSD25	MIL1112SNSD25	C	12 no stop	1	No	34.30	32.44	29.66	28.74
611-MIL1303B03NSD25	MIL1303B03NSD25	C	3	3	No	39.63	37.48	34.27	33.20
611-MIL2112B12NSD25	MIL2112B12NSD25	C	12	1	No	63.26	59.84	54.72	53.01
611-MIL1112B12NAD25	MIL1112B12NAD25	C	12	1	Yes	46.03	43.54	39.81	38.56
611-MIL1206SNAD25	MIL1206SNAD25	C	6 no stop	2	Yes	44.72	42.30	38.67	37.47
611-MIL1303B03NAD25	MIL1303B03NAD25	C	3	3	Yes	46.52	44.01	40.24	38.98