

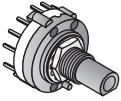
ALPHA Rotary Switches

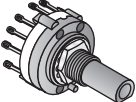


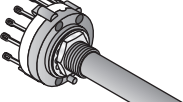
This product is RoHS compliant.

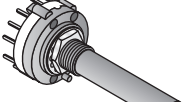
- Rating: 0.3A/125VAC
- Contact Resistance: 50mΩ max.
- Dielectric Strength: 500VAC for 1 minute
- Insulation Resistance: 500VDC-100MΩ min.

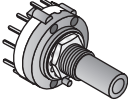
DIMENSIONS: mm

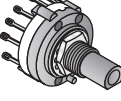
A  RoHS Compliant

B  RoHS Compliant

C  RoHS Compliant

D  RoHS Compliant

E  RoHS Compliant

F  RoHS Compliant

Technical drawings for each type (A-F) showing dimensions: shaft diameter (18mm, 21mm, 38mm), body diameter (26mm), mounting hole diameter (3mm), and shaft length. Mounting holes are spaced 120 degrees apart. Shaft threads are 3/8" - 32NEF. Drawing F shows a shaft diameter of M10x.75.

SR2611F SERIES

For quantities of 2000 and up, call for quote.

MOUSER STOCK NO.	Alpha Part No.	Fig.	Poles	Positions	Shaft Length	Price Each				
						1	50	100	500	1000
Non-Shorting D Shaft with Solder Terminals - 30°										
105-SR2611F-17-18NS	SR2611F-0107-18F5B-D8-N	A	1	7	18mm	3.17	2.64	2.40	2.18	1.96
105-SR2611F-18-18NS	SR2611F-0108-18F5B-D8-N	A	1	8	18mm	3.17	2.64	2.40	2.18	1.96
105-SR2611F-25-18NS	SR2611F-0205-18F5B-D8-N	A	2	5	18mm	3.17	2.64	2.40	2.18	1.96
105-SR2611F-17-21NS	SR2611F-0107-21F5B-D8-N	B	1	7	21mm	3.17	2.64	2.40	2.18	1.96
105-SR2611F-18-21NS	SR2611F-0108-21F5B-D8-N	B	1	8	21mm	3.17	2.64	2.40	2.18	1.96
105-SR2611F-25-21NS	SR2611F-0205-21F5B-D8-N	B	2	5	21mm	3.17	2.64	2.40	2.18	1.96
105-SR2611F-17-38NS	SR2611F-0107-38F5B-D8-N	C	1	7	38mm	3.17	2.64	2.40	2.18	1.96
105-SR2611F-18-38NS	SR2611F-0108-38F5B-D8-N	C	1	8	38mm	3.17	2.64	2.40	2.18	1.96
105-SR2611F-25-38NS	SR2611F-0205-38F5B-D8-N	C	2	5	38mm	3.17	2.64	2.40	2.18	1.96
Non-Shorting Round Shaft with Solder Terminals - 30°										
105-SR2611F-17-38RN	SR2611F-0107-38R0B-D8-N	D	1	7	38mm	3.17	2.64	2.40	2.18	1.96
105-SR2611F-18-38RN	SR2611F-0108-38R0B-D8-N	D	1	8	38mm	3.17	2.64	2.40	2.18	1.96
105-SR2611F-12-38RN	SR2611F-0112-38R0B-D8-N	D	1	12	38mm	3.17	2.64	2.40	2.18	1.96
105-SR2611F-25-38RN	SR2611F-0205-38R0B-D8-N	D	2	5	38mm	3.17	2.64	2.40	2.18	1.96
105-SR2611F-26-38RN	SR2611F-0206-38R0B-D8-N	D	2	6	38mm	3.17	2.64	2.40	2.18	1.96
105-SR2611F-34-38RN	SR2611F-0304-38R0B-D8-N	D	3	4	38mm	3.17	2.64	2.40	2.18	1.96
105-SR2611F-43-38RN	SR2611F-0403-38R0B-D8-N	D	4	3	38mm	3.17	2.64	2.40	2.18	1.96
Shorting Round Shaft with Solder Terminals - 30°										
105-SR2611F-17-21RS	SR2611F-0107-21R0B-D8-S	E	1	7	21mm	3.17	2.64	2.40	2.18	1.96
105-SR2611F-18-21RS	SR2611F-0108-21R0B-D8-S	E	1	8	21mm	3.17	2.64	2.40	2.18	1.96
105-SR2611F-12-21RS	SR2611F-0112-21R0B-D8-S	E	1	12	21mm	3.17	2.64	2.40	2.18	1.96
105-SR2611F-25-21RS	SR2611F-0205-21R0B-D8-S	E	2	5	21mm	3.17	2.64	2.40	2.18	1.96
105-SR2611F-26-21RS	SR2611F-0206-21R0B-D8-S	E	2	6	21mm	3.17	2.64	2.40	2.18	1.96
105-SR2611F-34-21RS	SR2611F-0304-21R0B-D8-S	E	3	4	21mm	3.17	2.64	2.40	2.18	1.96
105-SR2611F-43-21RS	SR2611F-0403-21R0B-D8-S	E	4	3	21mm	3.17	2.64	2.40	2.18	1.96

SR2612F SERIES

For quantities of 2000 and up, call for quote.

MOUSER STOCK NO.	Alpha Part No.	Fig.	Poles	Positions	Shaft Length	Price Each				
						1	50	100	500	1000
Shorting D Shaft with PCB Pins - 30°										
105-SR2612F-17-18S	SR2612F-0107-18F5B-D8-S	A	1	7	18mm	3.17	2.64	2.40	2.18	1.96
105-SR2612F-18-18S	SR2612F-0108-18F5B-D8-S	A	1	8	18mm	3.17	2.64	2.40	2.18	1.96
105-SR2612F-25-18S	SR2612F-0205-18F5B-D8-S	A	2	5	18mm	3.17	2.64	2.40	2.18	1.96
105-SR2612F-12-38S	SR2612F-0112-38F5B-D8-S	C	1	12	38mm	3.17	2.64	2.40	2.18	1.96
105-SR2612F-26-38S	SR2612F-0206-38F5B-D8-S	C	2	6	38mm	3.17	2.64	2.40	2.18	1.96
105-SR2612F-34-38S	SR2612F-0304-38F5B-D8-S	C	3	4	38mm	3.17	2.64	2.40	2.18	1.96
105-SR2612F-43-38S	SR2612F-0403-38F5B-D8-S	C	4	3	38mm	3.17	2.64	2.40	2.18	1.96
Shorting Round Shaft with PCB Pins - 30°										
105-SR2612F-17-38RS	SR2612F-0107-38R0B-D8-S	D	1	7	38mm	3.17	2.64	2.40	2.18	1.96
105-SR2612F-18-38RS	SR2612F-0108-38R0B-D8-S	D	1	8	38mm	3.17	2.64	2.40	2.18	1.96
105-SR2612F-25-38RS	SR2612F-0205-38R0B-D8-S	D	2	5	38mm	3.17	2.64	2.40	2.18	1.96
Non-Shorting Round Shaft with PCB Pins - 30°										
105-SR2612F-17-21RN	SR2612F-0107-21R0B-D8-N	E	1	7	21mm	3.17	2.64	2.40	2.18	1.96
105-SR2612F-18-21RN	SR2612F-0108-21R0B-D8-N	E	1	8	21mm	3.17	2.64	2.40	2.18	1.96
105-SR2612F-12-21RN	SR2612F-0112-21R0B-D8-N	E	1	12	21mm	3.17	2.64	2.40	2.18	1.96
105-SR2612F-25-21RN	SR2612F-0205-21R0B-D8-N	E	2	5	21mm	3.17	2.64	2.40	2.18	1.96
105-SR2612F-26-21RN	SR2612F-0206-21R0B-D8-N	E	2	6	21mm	3.17	2.64	2.40	2.18	1.96
105-SR2612F-34-21RN	SR2612F-0304-21R0B-D8-N	E	3	4	21mm	3.17	2.64	2.40	2.18	1.96
105-SR2612F-43-21RN	SR2612F-0403-21R0B-D8-N	E	4	3	21mm	3.17	2.64	2.40	2.18	1.96

SR2613F SERIES

For quantities of 2000 and up, call for quote.

MOUSER STOCK NO.	Alpha Part No.	Fig.	Poles	Positions	Shaft Length	Price Each				
						1	50	100	500	1000
Non-Shorting D Shaft with PCB Pins - 90°										
105-SR2613F-12-18NS	SR2613F-0102-18F5B-D8-N	A	1	2	18mm	3.68	3.07	2.79	2.54	2.34
105-SR2613F-13-18NS	SR2613F-0103-18F5B-D8-N	A	1	3	18mm	3.68	3.07	2.79	2.54	2.34
105-SR2613F-14-18NS	SR2613F-0104-18F5B-D8-N	A	1	4	18mm	3.68	3.07	2.79	2.54	2.34

SR2616F SERIES

For quantities of 2000 and up, call for quote.

MOUSER STOCK NO.	Alpha Part No.	Fig.	Poles	Positions	Shaft Length	Price Each				
						1	50	100	500	1000
Non-Shorting D Shaft with PCB Pins - 60°										
105-SR2616F-14-18FN	SR2616F-0104-18F5B-D8-N	A	1	4	18mm	3.68	3.07	2.79	2.54	2.34
105-SR2616F-16-18FN	SR2616F-0106-18F5B-D8-N	A	1	6	18mm	3.68	3.07	2.79	2.54	2.34
105-SR2616F-22-18FN	SR2616F-0202-18F5B-D8-N	A	2	2	18mm	3.68	3.07	2.79	2.54	2.34

SR2617F SERIES

For quantities of 2000 and up, call for quote.

MOUSER STOCK NO.	Alpha Part No.	Fig.	Poles	Positions	Shaft Length	Price Each				
						1	50	100	500	1000
Non-Shorting D Shaft with Solder Terminals - 60°										
105-SR2617F-13-18NS	SR2617F-0103-18F5B-D1-N	F	1	3	18mm	3.68	3.07	2.79	2.54	2.34
105-SR2617F-14-18NS	SR2617F-0104-18F5B-D1-N	F	1	4	18mm	3.68	3.07	2.79	2.54	2.34
105-SR2617F-16-18NS	SR2617F-0106-18F5B-D1-N	F	1	6	18mm	3.68	3.07	2.79	2.54	2.34

SR2619F SERIES

For quantities of 2000 and up, call for quote.

MOUSER STOCK NO.	Alpha Part No.	Fig.	Poles	Positions	Shaft Length	Price Each				
						1	50	100	500	1000
Non-Shorting D Shaft with Solder Terminals - 90°										
105-SR2619F-12-38FN	SR2619F-0102-38F5B-D8-N	C	1	2	38mm	3.68	3.07	2.79	2.54	2.34
105-SR2619F-13-38FN	SR2619F-0103-38F5B-D8-N	C	1	3	38mm	3.68	3.07	2.79	2.54	2.34
105-SR2619F-14-38FN	SR2619F-0104-38F5B-D8-N	C	1	4	38mm	3.68	3.07	2.79	2.54	2.34

