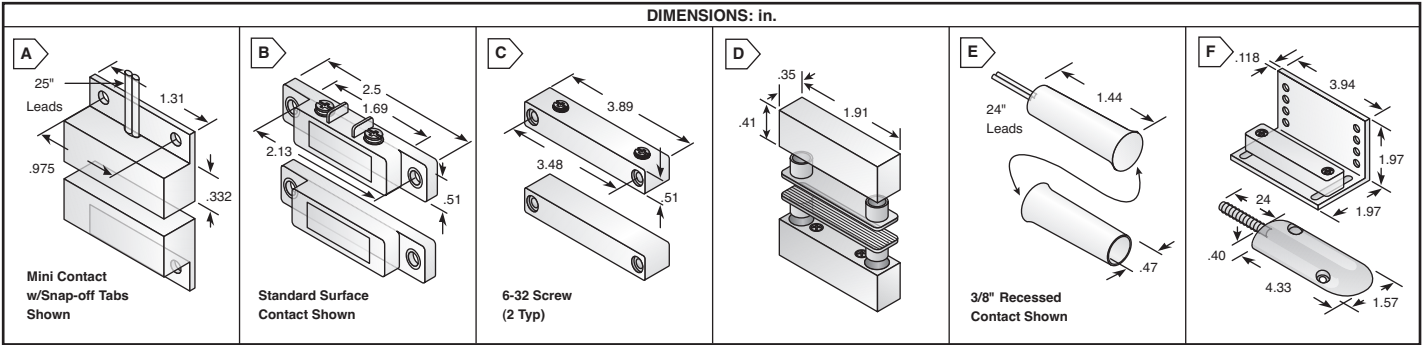


AMSECO Magnetic Contacts



AMSECO SURFACE MOUNT MAGNETIC CONTACTS

Micro Mini Contact

- 12 inch leads AWG #22 (UL1061)
- Self adhesive and nail mount
- Operating gap: 1/2 inch
- Magnet: Alnico 5

MOUSER STOCK NO.	Amseco Part No.	Fig.	Color	Price Each				
				1	10	50	100	200+
507-AMS-9B	505-90B	A	Brown	3.68	3.31	2.94	2.80	Call
507-AMS-9G	505-90G	A	Gray	2.35	2.21	2.13	2.06	for Quote
507-AMS-9I	505-90I	A	Ivory	2.35	2.21	2.13	2.06	Quote

Mini Contact with Snap-Off Tabs and Center Leads (N/C Loop)

- 24 inch leads AWG #22 (UL1061)
- Self adhesive and screw mount
- Operating gap: 3/4 inch
- Magnet: Alnico 5

MOUSER STOCK NO.	Amseco Part No.	Fig.	Color	Price Each				
				1	10	50	100	200+
507-AMS-10B	505-101-BC	A	Brown	2.50	2.35	2.28	2.13	Call
507-AMS-10G	505-101-GC	A	Gray	2.50	2.35	2.28	2.13	for Quote
507-AMS-10W	505-101-WC	A	White	2.50	2.35	2.28	2.13	Quote

Mini Contact with Snap-Off Tabs and Side Leads (N/C Loop)

MOUSER STOCK NO.	Amseco Part No.	Fig.	Color	Price Each				
				1	10	50	100	200+
507-AMS-10BS	505-101-BS	A	Brown	2.50	2.35	2.28	2.13	Call for Quote
507-AMS-10GS	505-101-GS	A	Gray	2.50	2.35	2.28	2.13	
507-AMS-10IS	505-101-IS	A	Ivory	2.50	2.35	2.28	2.13	
507-AMS-10WS	505-101-WS	A	White	2.50	2.35	2.28	2.13	

Standard Surface Contact (N/C Loop)

- Operating gap: 3/4 inch
- Magnet: Ferrite

MOUSER STOCK NO.	Amseco Part No.	Fig.	Color	Price Each				
				1	10	50	100	200+
507-AMS-39B	505-391B	B	Brown	2.80	2.73	2.55	2.40	Call
507-AMS-39G	505-391G	B	Gray	2.80	2.73	2.55	2.40	for Quote
507-AMS-39W	505-391W	B	White	2.80	2.73	2.55	2.40	Quote
Magnet Only								
507-AMS-505-392B	505-392B	-	Brown	1.23	1.15	1.12	1.08	Call for Quote
507-AMS-505-392G	505-392G	-	Gray	1.23	1.15	1.12	1.08	
507-AMS-505-392I	505-392I	-	Ivory	1.23	1.15	1.12	1.08	
507-AMS-505-392W	505-392W	-	White	1.23	1.15	1.12	1.08	

Industrial Magnetic Contact (N/C Loop)

- Operating gap: 2 inches
- Magnet: Alnico 5

MOUSER STOCK NO.	Amseco Part No.	Fig.	Color	Price Each				
				1	10	50	100	200+
507-AMS-37B	505-371B	C	Brown	7.67	7.27	6.72	6.25	Call
507-AMS-37	505-371G	C	Gray	5.91	5.76	5.54	5.18	Quote

Magnetic Contact with Cover (N/C Loop)

- Operating gap: 3/4 inch
- Magnet: Alnico 5
- 3/4 inch self-adhesive or screw mount
- Patented design - no wire stripping required

MOUSER STOCK NO.	Amseco Part No.	Fig.	Color	Price Each				
				1	10	50	100	200+
507-AMS-51CVB	505-5114B	D	Brown	2.81	2.64	2.55	2.47	Call for Quote
507-AMS-51CVG	505-5114G	D	Gray	2.81	2.64	2.55	2.47	
507-AMS-51CVI	505-5114I	D	Ivory	2.81	2.64	2.55	2.47	
507-AMS-51CVW	505-5114W	D	White	2.81	2.64	2.55	2.47	
Magnet Only								
507-AMS-505-5124B	505-5124B	-	Brown	1.75	1.71	1.59	1.49	Call for Quote
507-AMS-505-5124I	505-5124I	-	Ivory	1.75	1.71	1.59	1.49	
507-AMS-505-5124W	505-5124W	-	White	1.75	1.71	1.59	1.49	

AMSECO SURFACE MOUNT MAGNETIC CONTACTS (CONT.)

Mechanical Magnetic Contact (N/C, N/O Loop)

- SPDT (Form C) Switch
- Gold plated silver point
- Operating gap: 3/4 inch
- AC rating: 125V 3amps
- Magnet: Alnico 5

MOUSER STOCK NO.	Amseco Part No.	Fig.	Color	Price Each				
				1	10	50	100	200+
507-AMS-507-381BB	507-381BB	B	Brown	5.04	4.77	4.51	4.24	Call for Quote
507-AMS-507-381BG	507-381BG	B	Gray	5.04	4.77	4.51	4.24	Quote
Magnet Only								
507-AMS-507-382B	507-382B	-	Brown	2.57	2.43	2.29	2.16	Call for Quote
507-AMS-507-382I	507-382I	-	Ivory	2.57	2.43	2.29	2.16	
507-AMS-507-382W	507-382W	-	White	2.57	2.43	2.29	2.16	

AMSECO PRESS FIT MAGNETIC CONTACTS

3/8" Mini Contact (N/C Loop)

- 12 inch leads AWG #22 (UL1061)
- Operating gap: 5/16 inch
- Magnet: Alnico 5

MOUSER STOCK NO.	Amseco Part No.	Fig.	Color	Price Each				
				1	10	50	100	200+
507-AMS-17B	505-171B	E	Brown	2.86	2.69	2.60	2.51	Call for Quote
507-AMS-17I	505-171I	E	Ivory	2.86	2.69	2.60	2.51	
507-AMS-17W	505-171W	E	White	2.86	2.69	2.60	2.51	
Magnet Only								
507-AMS-505-172B	505-172B	-	Brown	1.33	1.25	1.21	1.17	Call for Quote
507-AMS-505-172I	505-172I	-	Ivory	1.33	1.25	1.21	1.17	
507-AMS-505-172W	505-172W	-	White	1.33	1.25	1.21	1.17	

3/8" Recessed Contact (N/C Loop)

- 24 inch leads AWG #22 (UL1061)
- Operating gap: 5/8 inch
- Magnet: Alnico 5

MOUSER STOCK NO.	Amseco Part No.	Fig.	Color	Price Each				
				1	10	50	100	200+
507-AMS-21B	505-211B	E	Brown	2.55	2.45	2.40	2.20	Call
507-AMS-21I	505-211I	E	Ivory	2.55	2.45	2.40	2.20	
Magnet Only								
507-AMS-505-212B	505-212B	-	Brown	1.44	1.38	1.35	1.24	Call
507-AMS-505-212I	505-212I	-	Ivory	1.44	1.38	1.35	1.24	

1/4" Mini Contact (N/C Loop)

- 24 inch leads AWG #22 (UL1061)
- Operating gap: 5/8 inch
- Magnet: Alnico 5

MOUSER STOCK NO.	Amseco Part No.	Fig.	Color	Price Each				
				1	10	50	100	200+
507-AMS-20B	505-201B	E	Brown	2.59	2.44	2.36	2.21	Call for Quote
507-AMS-20W	505-201W	E	White	2.59	2.44	2.36	2.21	

AMSECO OVERHEAD DOOR CONTACT

- Switch and magnet concealed in polished aluminum die-cast housing
- Magnet mounted on adjustable L bracket
- Operating gap: 2 inches
- 24 inch stainless armored cable

MOUSER STOCK NO.	Amseco Part No.	Fig.	Description	Price Each			
				1	10	50	100
507-ODC-59A	511-59A	F	SPST, N/C loop	12.29	11.55	11.18	10.80
507-ODC-59B	511-59B	F	SPDT, N/O, N/C loop	20.02	17.80	16.91	16.02