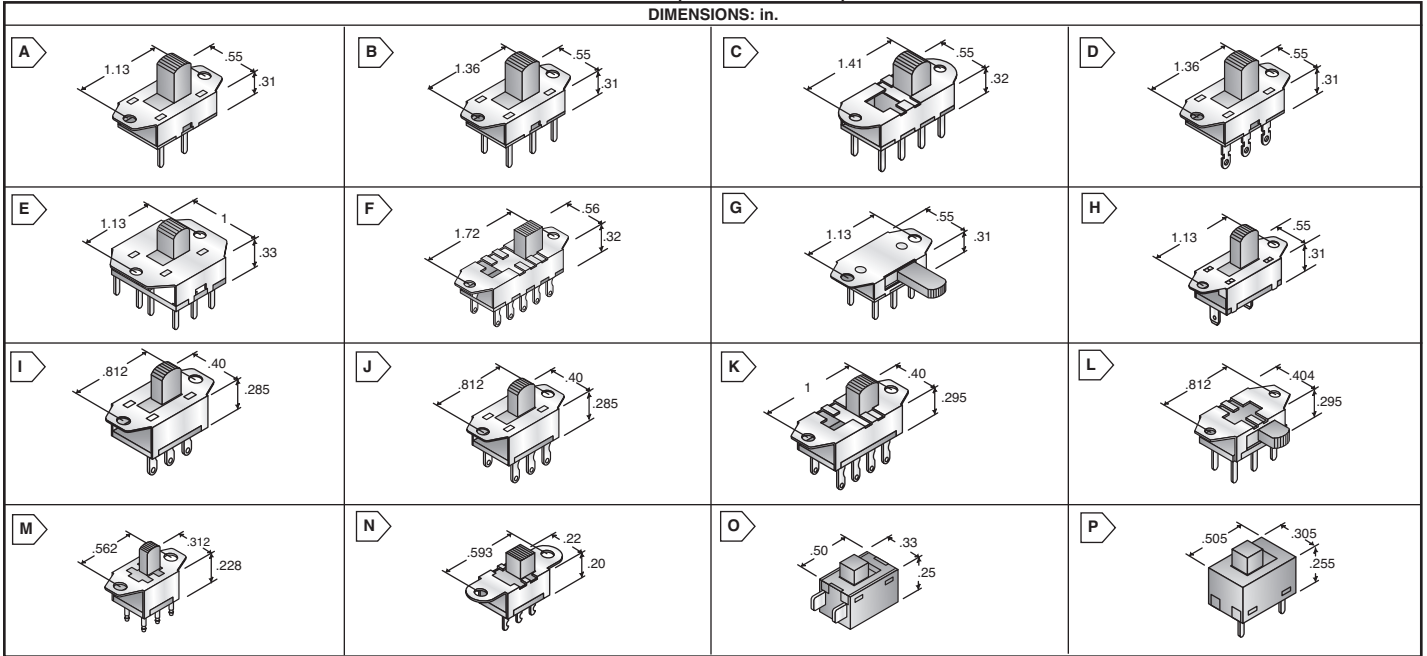


Slide Switches

RoHS Compliant This product is RoHS compliant.

DIMENSIONS: in.



CW INDUSTRIES
An ISO 9001 Company

SLIDE SWITCHES

For quantities greater than listed, call for quote.

Materials:

- Buttons: black type 6/6 nylon
- Housings: cold rolled steel
- Housing Plating: zinc followed by clear chromate
- Terminals: copper
- Terminal Plating: silver is standard
- Terminal Board: N.E.M.A. grade XP Phenolic Laminate



RoHS Compliant

Specifications:

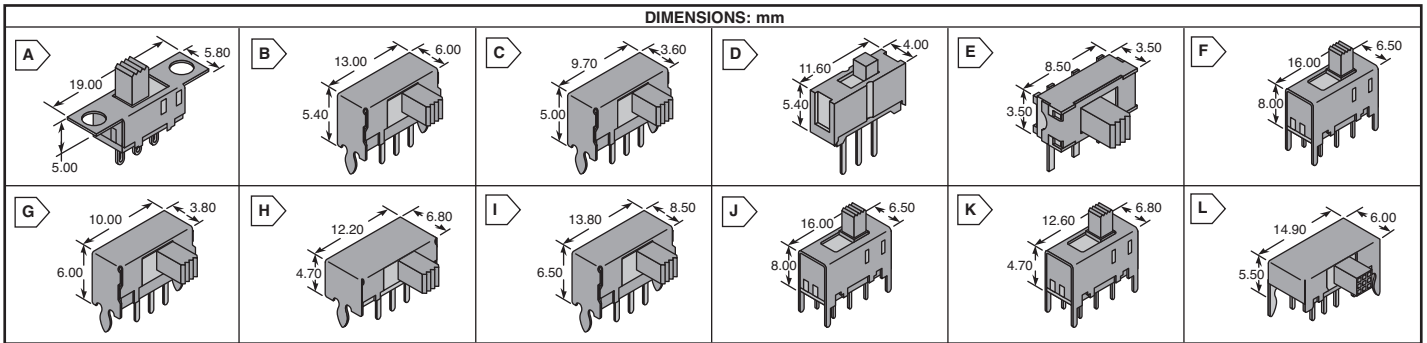
- Contact Resistance: >0.01Ω @ 20mA DC
- Operating Temperature: 104°C MAX to -10°C MIN

Life cycling (no load): Switch will be operative after 10,000 (minimum) cycles at the rate of 10 cycles per minute.

Life cycling (load): Switches will be operative after 6,000 (minimum) cycles at the rate of 10 cycles per minute at rated load.

MOUSER STOCK NO.	CW Industries Part No.	Fig.	Type	Rating	Price Each				
					1	50	100	500	
Standard									
629-GF11231110	GF-1123-1110	A	SPST	11A125VAC	1.67	1.61	1.49	1.39	
629-GF11261110	GF-1126-1110	B	DPDT	11A125VAC	1.95	1.87	1.74	1.62	
629-G1128S1110	G-1128S-1110	C	DP3T	11A125VAC	2.21	2.13	1.98	1.85	
629-GF6246014	GF-624-6014	D	SPDT	6A125VAC	1.04	1.01	.935	.871	
629-GF6426010	GF-642-6010	E	4PDT	6A125VAC	1.93	1.86	1.73	1.63	
629-G1138S1110	G-1138S-1110	F	DP4T	11A125VAC	2.31	2.23	2.07	1.92	
629-GG3503010	GG-350-3010	G	DPDT	.5A125VDC	1.11	1.06	.984	.933	
Miniature									
629-GF1233011	GF-123-3011	I	SPST	3A125VDC	.86	.83	.776	.726	
629-GF1263011	GF-126-3011	J	DPDT	3A125VDC	1.44	1.37	1.27	1.20	
629-G128S3011	G-128S-3011	K	DP3T	3A125VDC	1.54	1.49	1.38	1.29	
629-G11523011	GI-152-3010	L	DPDT	3A125VDC	1.40	1.33	1.25	1.17	
Micro-Miniature									
629-GS1130512	GS-113-0512	M	DPDT	.5A125VAC/VDC	1.53	1.47	1.37	1.27	
629-GS1150511	GS-115-0511	N	SPDT	.5A125VAC/VDC	1.31	1.26	1.17	1.09	
629-G1050513	G-105-0513	O	SPST	.5A125VAC/VDC	1.09	1.05	.972	.913	
629-G1070513	G-107-0513	P	SPDT	.5A125VAC/VDC	1.63	1.57	1.45	1.36	

Slide Switches



E-SWITCH

EG SERIES SLIDE SWITCHES

Specifications:

- Contact rating: 30VDC, 0.2A (except EG2308: 12VDC, 0.1A)
- Contact resistance: less than 20mΩ minimum initially
- Insulation resistance: 500VDC-100mΩ minimum
- Dielectric strength: 500VAC for one minute between any terminal and frame.
- Operating temperature: -20°C to +70°C (-4°F to +158°F)
- Life: 10,000 cycles minimum
- Soldering: Auto 270±5°C/ 3 seconds; Manual 350±10°C/ 3 seconds



RoHS Compliant

Materials:

- Contact: Silver plated copper alloy

For quantities of 500 and up, call for quote.

MOUSER STOCK NO.	E-Switch Part No.	Fig.	Type	Circuit	Act. Length (mm)	Price Each			
						1	10	50	100
612-EG1201	EG1201	A	SPDT	On-On	4	.65	.58	.50	.39
612-EG1201A	EG1201A	A	SPDT	On-On	5.5	.65	.58	.50	.39
612-EG1206A	EG1206A	B	SPDT	On-On	6	.65	.58	.50	.39
612-EG1213	EG1213	C	SPDT	On-On	5.1	.65	.58	.50	.39
612-EG1218	EG1218	D	SPDT	On-On	2	.78	.69	.60	.47
612-EG1270	EG1270	E	SPDT	On-On	2	.82	.73	.63	.49
612-EG2201A	EG2201A	F	DPDT	On-On	6	.89	.81	.68	.54
612-EG2208	EG2208	G	DPDT	On-On	4	.84	.76	.64	.50
612-EG2215	EG2215	H	DPDT	On-On	3.5	.81	.73	.62	.48
612-EG2219	EG2219	I	DPDT	On-On	8.5	.89	.81	.68	.54
612-EG2301	EG2301	J	DP3T	On-On-On	3	.81	.73	.62	.48
612-EG2305	EG2305	K	DP3T	On-On-On	4	.97	.88	.74	.58
612-EG2308	EG2308	L	DP3T	On-On-On	4	.85	.76	.65	.51
612-EG4208	EG4208	L	4PDT	On-On	4	1.62	1.46	1.24	.97
612-EG4208A	EG4208A	L	4PDT	On-On	4	1.46	1.32	1.12	.88