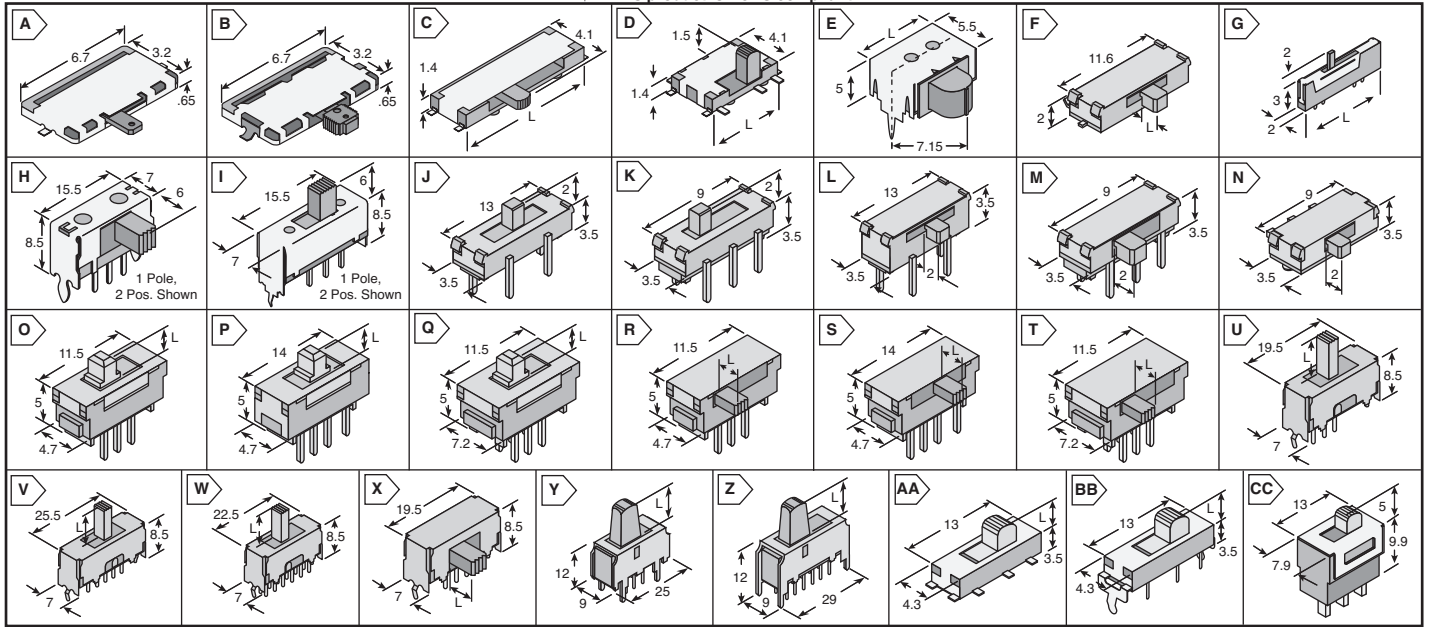


ALPS Slide Switches

ALPS

RoHS Compliant This product is RoHS compliant.



DIMENSIONS: mm

ALPS SLIDE SWITCHES

RoHS Compliant For quantities of 1000 and up, call for quote.

MOUSER STOCK NO.	Alps Part No.	Fig.	Travel (mm)	No. of Poles	No. of Pos.	Contact Rating	Mounting Style	Actuation Direction	Changeover Timing	Location Lug	Dim. L (mm)	Features	Price Each			
													1	50	100	500
688-SSAD120100	SSAD120100	A	1.5	1	2	1mA @ 5VDC	SMD	Horizontal	Not specified	No	---	Low profile	1.41	1.00	.90	.66
688-SSAD110100	SSAD110100	B	1.5	1	2	1mA @ 5VDC	SMD	Horizontal	Not specified	Yes	---	Low profile	1.41	1.00	.90	.66
688-SSSS811101	SSSS811101	C	1.5	1	2	0.3A @ 4VDC	SMD	Horizontal	Not specified	Yes	6.7	With ground	.71	.50	.45	.33
688-SSSS810201	SSSS810201	C	1.5	1	2	0.3A @ 4VDC	SMD	Horizontal	Not specified	Yes	9.7	With ground	.99	.70	.63	.47
688-SSSS820201	SSSS820201	D	1.5	2	2	0.3A @ 4VDC	SMD	Vertical	Not specified	Yes	6.7	With ground	1.06	.75	.67	.50
688-SSSS820501	SSSS820501	D	1.5	2	3	0.3A @ 4VDC	SMD	Vertical	Not specified	Yes	9.7	With ground	1.20	.85	.76	.57
688-SSAC120100	SSAC120100	E	1.5	2	2	1mA @ 5VDC	PCB	Horizontal	Non-shorting	---	9.5	With external knob	.49	.35	.31	.23
688-SSAC120200	SSAC120200	E	1.5	2	3	1mA @ 5VDC	PCB	Horizontal	Not specified	---	11	With external knob	.57	.40	.36	.27
688-SSSS7C0101	SSSS7C0101	F	1.5	1	2	0.3A @ 4VDC	SMD	Horizontal	Not specified	No	0.9	Double-side recoil	3.07	2.17	1.95	1.45
688-SSSS7C0201	SSSS7C0201	F	1.5	1	2	0.3A @ 4VDC	SMD	Horizontal	Not specified	No	1.5	Double-side recoil	3.07	2.17	1.95	1.45
688-SSSS710603	SSSS710603	G	2.0	1	2	0.3A @ 4VDC	PCB	Horizontal	Not specified	---	8.8	Standard type	1.56	1.10	.99	.73
688-SSSS711403	SSSS711403	G	2.0	1	3	0.3A @ 4VDC	PCB	Horizontal	Non-shorting	---	12.5	Standard type	1.76	1.25	1.12	.83
688-SSSS7A0101	SSSS7A0101	G	2.0	1	3	0.3A @ 4VDC	PCB	Horizontal	Non-shorting	---	12.5	Single-side recoil	2.00	1.41	1.27	.94
688-SSSS7B0101	SSSS7B0101	G	2.0	1	2	0.3A @ 4VDC	PCB	Horizontal	Non-shorting	---	12.5	Double-side recoil	3.19	2.39	2.15	1.60
688-SSSF111800	SSSF111800	H	2.0	1	2	0.1A @ 30VDC	PCB	Horizontal	Non-shorting	---	---	Large size, general purpose	1.06	.75	.67	.50
688-SSSF114900	SSSF114900	H	2.0	1	3	0.1A @ 30VDC	PCB	Horizontal	Non-shorting	---	---	Large size, general purpose	1.20	.85	.76	.57
688-SSSF121900	SSSF121900	H	2.0	2	2	0.1A @ 30VDC	PCB	Horizontal	Non-shorting	---	---	Large size, general purpose	1.41	1.00	.90	.66
688-SSSF011700	SSSF011700	I	2.0	1	2	0.1A @ 30VDC	PCB	Vertical	Non-shorting	---	---	Large size, general purpose	1.06	.75	.67	.50
688-SSSF014800	SSSF014800	I	2.0	1	3	0.1A @ 30VDC	PCB	Vertical	Non-shorting	---	---	Large size, general purpose	1.20	.85	.76	.57
688-SSSF021500	SSSF021500	I	2.0	2	2	0.1A @ 30VDC	PCB	Vertical	Non-shorting	---	---	Large size, general purpose	1.41	1.00	.90	.66
688-SSSS211900	SSSS211900	J	2.0	1	3	0.3A @ 6VDC	PCB	Vertical	Non-shorting	---	---	High density mounting	1.06	.75	.67	.50
688-SSSS222700	SSSS222700	K	2.0	2	2	0.3A @ 6VDC	PCB	Vertical	Non-shorting	---	---	High density mounting	1.13	.80	.72	.53
688-SSSS212200	SSSS212200	L	2.0	1	3	0.3A @ 6VDC	PCB	Horizontal	Non-shorting	---	---	High density mounting	1.06	.75	.67	.50
688-SSSS223200	SSSS223200	M	2.0	2	2	0.3A @ 6VDC	PCB	Horizontal	Non-shorting	---	---	High density mounting	1.13	.80	.72	.53
688-SSSS211603	SSSS211603	N	2.0	1	2	0.3A @ 6VDC	SMD	Horizontal	Non-shorting	---	---	High density mounting	1.27	.90	.81	.60
688-SSSS912000	SSSS912000	O	2.0	1	2	0.1A @ 12VDC	PCB	Vertical	Non-shorting	---	2	High operability	.85	.60	.54	.40
688-SSSS912500	SSSS912500	O	2.0	1	2	0.1A @ 12VDC	PCB	Vertical	Non-shorting	---	4	High operability	.85	.60	.54	.40
688-SSSS919500	SSSS919500	P	2.0	1	3	0.1A @ 12VDC	PCB	Vertical	Not specified	---	2	High operability	.99	.70	.63	.47
688-SSSS919800	SSSS919800	P	2.0	1	3	0.1A @ 12VDC	PCB	Vertical	Not specified	---	4	High operability	.99	.70	.63	.47
688-SSSS922000	SSSS922000	Q	2.0	2	2	0.1A @ 12VDC	PCB	Vertical	Non-shorting	---	2	High operability	1.13	.80	.72	.53
688-SSSS922500	SSSS922500	Q	2.0	2	2	0.1A @ 12VDC	PCB	Vertical	Non-shorting	---	4	High operability	1.13	.80	.72	.53
688-SSSS916900	SSSS916900	R	2.0	1	2	0.1A @ 12VDC	PCB	Horizontal	Non-shorting	---	2	High operability	.85	.60	.54	.40
688-SSSS916400	SSSS916400	R	2.0	1	2	0.1A @ 12VDC	PCB	Horizontal	Non-shorting	---	4	High operability	.85	.60	.54	.40
688-SSSS91B900	SSSS91B900	S	2.0	1	3	0.1A @ 12VDC	PCB	Horizontal	Not specified	---	2	High operability	.99	.70	.63	.47
688-SSSS91B600	SSSS91B600	S	2.0	1	3	0.1A @ 12VDC	PCB	Horizontal	Not specified	---	4	High operability	.99	.70	.63	.47
688-SSSS926400	SSSS926400	T	2.0	2	2	0.1A @ 12VDC	PCB	Horizontal	Non-shorting	---	2	High operability	1.13	.80	.72	.53
688-SSSS925800	SSSS925800	T	2.0	2	2	0.1A @ 12VDC	PCB	Horizontal	Non-shorting	---	4	High operability	1.13	.80	.72	.53
688-SSSU011700	SSSU011700	U	3.0	1	2	0.1A @ 30VDC	Snap-inPCB	Vertical	Non-shorting	---	6	Large size, general purpose	1.06	.75	.67	.50
688-SSSU012200	SSSU012200	U	3.0	1	2	0.1A @ 30VDC	Snap-inPCB	Vertical	Non-shorting	---	9	Large size, general purpose	1.06	.75	.67	.50
688-SSSU014800	SSSU014800	V	3.0	1	3	0.1A @ 30VDC	Snap-inPCB	Vertical	Non-shorting	---	6	Large size, general purpose	1.20	.85	.76	.57
688-SSSU022800	SSSU022800	U	3.0	2	2	0.1A @ 30VDC	Snap-inPCB	Vertical	Non-shorting	---	9	Large size, general purpose	1.41	1.00	.90	.66
688-SSSU042100	SSSU042100	W	3.0	4	2	0.1A @ 30VDC	Snap-inPCB	Vertical	Non-shorting	---	9	Large size, general purpose	2.19	1.55	1.39	1.03
688-SSSU121700	SSSU121700	X	3.0	2	2	0.1A @ 30VDC	Snap-inPCB	Horizontal	Non-shorting	---	6	Large size, general purpose	1.41	1.00	.90	.66
688-SSSU122200	SSSU122200	X	3.0	2	2	0.1A @ 30VDC	Snap-inPCB	Horizontal	Non-shorting	---	9	Large size, general purpose	1.41	1.00	.90	.66
688-SSSB021500	SSSB021500	Y	4.0	2	2	0.3A @ 30VDC	PCB	Vertical	Non-shorting	---	6	Reliable operational feel	3.53	2.49	2.24	1.66
688-SSSB022200	SSSB022200	Y	4.0	2	2	0.3A @ 30VDC	PCB	Vertical	Non-shorting	---	9	Reliable operational feel	3.53	2.49	2.24	1.66
688-SSSB042000	SSSB042000	Z	4.0	4	2	0.3A @ 30VDC	PCB	Vertical	Non-shorting	---	6	Reliable operational feel	4.24	2.99	2.69	1.99
688-SSST011000	SSST011000	AA	4.0	1	2	0.1A @ 12VDC	SMD	Vertical	Non-shorting	Yes	2	Self-return type	1.91	1.35	1.21	.90
688-SSST010600	SSST010600	BB	4.0	1	2	0.1A @ 12VDC	Snap-in PCB	Vertical	Non-shorting	---	2	Self-return type	1.91	1.35	1.21	.90
688-SSST010500	SSST010500	BB	4.0	1	2	0.1A @ 12VDC	Snap-in PCB	Vertical	Non-shorting	---	3	Self-return type	1.91	1.35	1.21	.90

ALPS POWER SLIDE SWITCH

RoHS Compliant For quantities of 1000 and up, call for quote.

MOUSER STOCK NO.	Alps Part No.	Fig.	Travel (mm)	Contact Form	Contact Rating	Mounting Style	Actuation Direction	Operating Force	Features	Price Each			
										1	50	100	500
688-SDKTA20100	SDKTA20100	CC	2.2	SPDT	6A @ 125 VAC	PCB	Vertical	0.98±3.92N	Smooth sliding operation	2.59	1.83	1.65	1.22

