

SHIN CHIN Rocker Switches

RoHS Compliant This product is RoHS compliant.



ROCKER SWITCHES

Specifications:

- Contact Resistance: 50mΩ max.
- Insulation Resistance: 500VDC 100MΩ min.

R13-49 Series

• Rating: 10A/125VAC, 6A/250VAC • Terminal Type: Solder • Screw Type Mounting RoHS Compliant LR45128 For quantities of 1000 and up, call for quote.

MOUSER STOCK NO.	Shin Chin Part No.	Fig.	Type	Circuit	Cap Color	Price Each			
						1	50	100	500
112-R13-49A-R/B	R13-49A-05-BR1	A	SPST	On-Off	Red with White Dot	1.48	1.19	.90	.79
112-R13-49B-R/B	R13-49B-05-BR	A	DPDT	On-On	Red	2.03	1.69	1.54	1.40

R13-66 Series

- Snap-in Mounting

Waterproof Cover

11037-4401 E67774 LR45128 RoHS Compliant For quantities of 1000 and up, call for quote.

Rating: 16A/125VAC; Terminal Type: Solder									
◆ 112-R13-66A8	R13-66A8-02-BB	B	SPST	On-Off	Black	2.54	2.31	2.10	1.91
Rating: 16A/125VAC, 10A/250VAC; Terminal Type: .187" QC									
112-R13-66A-B	R13-66A-02-BB2	C	SPST	On-Off	Black marked I-O	1.05	.90	.70	.63
112-R13-66B-G	R13-66B-02-BGG-N1	C	SPST	On-Off	Illum. Green/Neon	1.35	1.17	1.07	.97
112-R13-66B-R	R13-66B-02-BRR-N1	C	SPST	On-Off	Illum. Red/Neon	1.35	1.17	1.07	.97
112-R13-66D	R13-66D-02-BB6	C	SPDT	On-Off-On	Black marked I-O-II	1.43	1.19	1.08	.98
112-R13-66L-R	R13-66L-02-BBRR-L1	C	SPST	On-Off	Illum. Red/LED	1.32	1.16	1.05	.96

R13-73 Series

- Rating: 10A/125VAC, 6A/250VAC • Snap-in Mounting
- Terminal Type: .187" QC

RoHS Compliant 11037-4401 E67774 LR45128 For quantities of 1000 and up, call for quote.

112-R13-73A2-B	R13-73A2-02-BB	D	DPST	On-Off	Black marked I-O	1.84	1.66	1.49	1.34
----------------	----------------	---	------	--------	------------------	------	------	------	------

R13-112 Series

- Terminal Type: .187" QC • Snap-In Mounting

Waterproof Cover

RoHS Compliant E67774 For quantities of 1000 and up, call for quote.

Rating: 10A/250VAC									
◆ 112-R13-112B8W-BRR	R13-112B8W-02-BRR-N2	E	SPST	On-Off	Illum. Red/Neon	3.27	2.98	2.71	2.46
112-R13-112AH-W4	R13-112AH-W4-02-UB	F	SPST	On-Off	Illum. Blue/Neon	5.46	4.96	4.51	4.10
112-R13-112CH-W4	R13-112CH-W4-02-UB	F	SPDT	On-On	Illum. Blue/Neon	5.83	5.30	4.82	4.38
Rating: 16A/125VAC									
◆ 112-R13-112A8	R13-112A8-02-BB	E	SPST	On-Off	Black	2.56	2.33	2.11	1.92
112-R13-112BH-W3	R13-112BH-W3-02-UU	F	SPST	On-Off	Illum. Blue/Neon	5.92	5.38	4.90	4.45
Rating: 20A/12VDC									
◆ 112-R13-112B8W-BUU	R13-112B8W-02-BUU-L1	E	SPST	On-Off	Illum. Blue/Neon	3.74	3.40	3.09	2.81
112-R13-112AH-W1	R13-112AH-W1-02-UB	F	SPST	On-Off	Illum. Blue/Neon	4.02	3.65	3.32	3.02

R13-130 Series

- Rating: 10A/125VAC, 6A/250VAC • Terminal Type: Solder • Screw Type Mounting

RoHS Compliant LR45128 For quantities of 1000 and up, call for quote.

112-R13-130A	112-130A-05-BB2	G	SPST	On-Off	Black marked I-O	1.83	1.52	1.39	1.26
112-R13-130B	112-130B-05-BB	G	DPDT	On-On	Black	2.21	2.01	1.83	1.66
112-R13-130C	112-130C-05-BB	G	SPDT	On-On	Black	2.10	1.75	1.60	1.45

R13-136 Series

- Rating: 10A/125VAC, 6A/250VAC • Terminal Type: Solder • Screw Type Mounting

RoHS Compliant LR45128 For quantities of 1000 and up, call for quote.

112-R13-136A-B	R13-136A-05-BB2	H	SPST	On-Off	Black marked I-O	1.84	1.66	1.49	1.37
112-R13-136A-R	R13-136A-05-BR2	H	SPST	On-Off	Red marked I-O	1.84	1.66	1.49	1.37

R13-213 Series

- Rating: 6A/125VAC, 3A/250VAC • Terminal Type: .110" QC • Screw Type Mounting

RoHS Compliant For quantities of 1000 and up, call for quote.

112-R13-213A-B	R13-213A-03-BB	I	SPST	On-Off	Black	2.48	2.23	2.01	1.81
----------------	----------------	---	------	--------	-------	------	------	------	------

R13-226 Series

- Terminal Type: .250" QC • Snap-in Mounting

RoHS Compliant E67774 For quantities of 1000 and up, call for quote.

Rating: 6A/250VAC									
112-R13-226B-N2	R13-226B-01-WRR-N2	J	SPST	On-Off	Illum. Red/Neon	2.18	1.98	1.80	1.64
112-R13-226B3R-N2	R13-226B3-01-WSR-N2	J	SPST	On-Off	Illum. Red Dot/Neon	2.55	2.32	2.11	1.92
Rating: 10A/125VAC									
112-R13-226B-N1	R13-226B-01-WRR-N1	J	SPST	On-Off	Illum. Red/Neon	2.18	1.98	1.80	1.64
112-R13-226B3G-N1	R13-226B3-01-WSG-N1	J	SPST	On-Off	Illum. Green Dot/Neon	2.55	2.32	2.11	1.92

R13-228 Series

- Rating: 10A/125VAC, 6A/250VAC • Terminal Type: Solder • Screw Type Mounting

RoHS Compliant For quantities of 1000 and up, call for quote.

112-R13-228A	R13-228A-05-BB2	K	SPST	On-Off	Black marked I-O	2.48	2.23	2.01	1.81
--------------	-----------------	---	------	--------	------------------	------	------	------	------

R13-239 Series

- Terminal Type: .187" QC • Snap-in Mounting

RoHS Compliant E67774 For quantities of 1000 and up, call for quote.

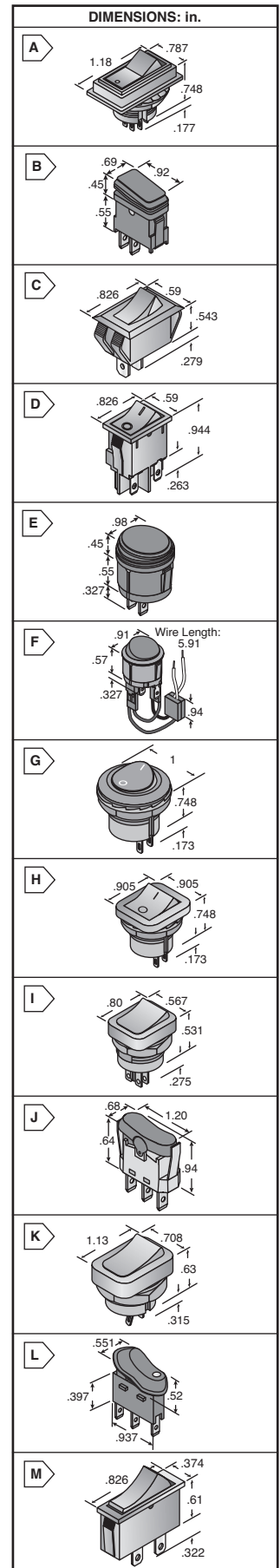
Rating: 6A/250VAC									
112-R13-239B-N2	R13-239B-02-BBR-N2	L	SPST	On-Off	Illum. Red Dot/Neon	1.64	1.49	1.35	1.23
Rating: 10A/125VAC									
112-R13-239B-N1	R13-239B-02-BBR-N1	L	SPST	On-Off	Illum. Red Dot/Neon	1.64	1.49	1.35	1.23

R13-243 Series

- Rating: 8A/125VAC, 4A/250VAC • Terminal Type: .187" QC • Snap-In Mounting

RoHS Compliant For quantities of 1000 and up, call for quote.

112-R13-243A	R13-243A-02-BB	M	SPST	On-Off	Black	1.48	1.33	1.20	1.08
112-R13-243F	R13-243F-02-BB	M	SPST	(On)-Off	Black	2.20	1.98	1.78	1.60



Shin Chin

Rocker Switches