

# E-SWITCH Rocker Switches



## E-SWITCH R1966 SERIES ROCKER SWITCHES

### Specifications:

- Contact resistance: <10 mΩ
- Rating: 15A @ 125V
- Dielectric strength: >1500V for one minute, >3000V between poles
- Electric life: 10,000 cycle
- Mechanical life: 15,000 cycles
- Insulation resistance: >1,000 MΩ
- Contact form: SPST

### Features:

- Black semi-gloss finish
- Contact material: coin silver, silver plated
- Terminal material: silver plated copper alloy



For quantities of 250 and up, call for quote.

MOUSER STOCK NO.	E-Switch Part No.	Fig.	Circuit	Housing	Actuator	Price Each			
						1	10	50	100
<b>Faston Terminal</b>									
612-R1966ABKBKEF	R1966ABLKBLKEF	A	On-Off	Black	Black	1.71	1.55	1.32	1.03
612-R1966FBKBKEF	R1966FBLKBLKEF	A	(On)-Off	Black	Black	1.70	1.52	1.30	1.02
612-R1966ABLKBLKIF	R1966ABLKBLKIF	B	On-Off	Black	Black	1.18	1.07	.91	.71
612-R1966ABKBKFF	R1966ABLKBLKFF	C	On-Off	Black	Black	1.18	1.07	.91	.71
612-R1966AGYGYFF	R1966AGRYGRYFF	C	On-Off	Gray	Gray	1.18	1.07	.91	.71
612-R1966AWTWTFF	R1966AWHTWHTFF	C	On-Off	White	White	1.71	1.55	1.32	1.03
612-R1966ABKBKGF	R1966ABLKBLKGF	D	On-Off	Black	Black	1.18	1.07	.91	.71
612-R1966AGYGYGF	R1966AGRYGRYGF	D	On-Off	Gray	Gray	1.18	1.07	.91	.71
*612-R1966DBKBKCF	R1966DBLKBKCF	E	On-Off-On	Black	Black	1.97	1.78	1.51	1.18
<b>Solder Terminal</b>									
612-R1966ABLKBLKES	R1966ABLKBLKES	A	On-Off	Black	Black	1.18	1.07	.91	.71
612-R1966ABKBKIS	R1966ABLKBLKIS	B	On-Off	Black	Black	1.18	1.07	.91	.71
612-R1966ABKBKFS	R1966ABLKBLKFS	C	On-Off	Black	Black	1.18	1.07	.91	.71
612-R1966ABKBKGS	R1966ABLKBLKGS	D	On-Off	Black	Black	1.19	1.08	.92	.72
<b>R/A PCB Terminal</b>									
612-R1966ABKBKFR	R1966ABLKBLKFR	F	On-Off	Black	Black	1.55	1.39	1.18	.93
612-R1966ABKBKGR	R1966ABLKBLKGR	G	On-Off	Black	Black	1.31	1.18	1.01	.79

\* Contact form: SPDT

## E-SWITCH R1966 SERIES ILLUMINATED ROCKER SWITCHES

### Specifications:

- Contact resistance: <10 mΩ
- Rating: 15A @ 125V
- Dielectric strength: >1500V for one minute, >3000V between poles
- Electric life: 10,000 cycles
- Mechanical life: 15,000 cycles
- Insulation resistance: >100MΩ
- Contact form: SPST

### Features:

- Contact material: coin silver, silver plated
- Terminal material: Silver plated copper alloy



ROHS Compliant

For quantities of 250 and up, call for quote.

MOUSER STOCK NO.	E-Switch Part No.	Fig.	Circuit	LED Color	Terminal	Price Each			
						1	10	50	100
612-R1966ABKBKEFR	R1966ABLKBLKEFR	H	On-Off	Red	Faston	2.24	2.02	1.72	1.34
612-R1966ABKBKEFG	R1966ABLKBLKEFRN	H	On-Off	Green	Faston	3.24	2.92	2.48	1.94
612-R1966ABKBKEFY	R1966ABLKBLKEFYEL	H	On-Off	Yellow	Faston	2.24	2.02	1.72	1.34
612-R1966ABKBKESR	R1966ABLKBLKESRED	H	On-Off	Red	Solder	2.70	2.49	1.94	1.84
612-R1966ABKBKESG	R1966ABLKBLKESGRN	H	On-Off	Green	Solder	3.24	2.92	2.48	1.94
612-R1966ABKBKESY	R1966ABLKBLKESYEL	H	On-Off	Yellow	Solder	2.24	2.02	1.72	1.34
612-R1966ABKBKER	R1966ABLKBLKERRED	H	On-Off	Red	R/A PCB	2.61	2.34	2.00	1.56

## E-SWITCH R5 SERIES ROCKER SWITCHES

### Specifications:

- Contact resistance: 20 mΩ initially
- Dielectric strength: >1500V for one minute, >3000V between poles
- Contact rating: 10A @ 250VAC, 15A @ 125VAC
- Mechanical life: >30,000 cycles
- Electrical life: >10,000 cycles
- Faston termination

### Features:

- Black housing
- Contact material: Coin silver, silver plated



For quantities of 250 and up, call for quote.

MOUSER STOCK NO.	E-Switch Part No.	Fig.	Type	Circuit	Actuator	Price Each			
						1	10	50	100
612-R5ABLKBLKEF0	R5ABLKBLKEF0	I	DPST	On-Off	Black	1.76	1.58	1.34	1.05
612-R5CBLKBLKEF0	R5CBLKBLKEF0	I	DPDT	On-On	Black	2.40	2.16	1.84	1.44
612-R5DBLKBLKEF0	R5DBLKBLKEF0	I	DPDT	On-Off-On	Black	2.86	2.57	2.20	1.71
612-R5ABLKBLKFF0	R5ABLKBLKFF0	J	DPST	On-Off	Black	1.75	1.58	1.34	1.05
612-R5DBLKBLKCF0	R5DBLKBLKCF0	K	DPDT	On-Off-On	Black	2.86	2.58	2.20	1.71
612-R5DBLKBLKHFO	R5DBLKBLKHFO	L	DPDT	On-Off-On	Black	2.86	2.58	2.20	1.71

### Illuminated Switches

For quantities of 250 and up, call for quote.

MOUSER STOCK NO.	E-Switch Part No.	Fig.	Type	Circuit	Actuator	Price Each			
						1	10	50	100
<b>Neon Bulb Lamp Type with 125VAC</b>									
612-R5BBLKREDEF1	R5BBLKREDEF1	I	DPST	On-Off	Red	3.15	2.84	2.42	1.89
612-R5BBLKGRNEF1	R5BBLKGRNEF1	I	DPST	On-Off	Green	2.86	2.58	2.20	1.71
612-R5BBLKREDF1	R5BBLKREDF1	J	DPST	On-Off	Red	2.86	2.58	2.20	1.71
612-R5BBLKGRNF1	R5BBLKGRNF1	J	DPST	On-Off	Green	3.15	2.84	2.42	1.89
<b>Neon Bulb Lamp Type with 250VAC</b>									
612-R5BBLKREDF2	R5BBLKREDF2	J	DPST	On-Off	Red	3.15	2.84	2.42	1.89
612-R5BBLKGRNF2	R5BBLKGRNF2	J	DPST	On-Off	Green	3.15	2.84	2.42	1.89
<b>Incandescent Bulb Lamp Type with 12VDC</b>									
612-R5BBLKREDF3	R5BBLKREDF3	J	DPST	On-Off	Red	2.86	2.58	2.20	1.71
612-R5BBLKGRNF3	R5BBLKGRNF3	J	DPST	On-Off	Green	2.86	2.58	2.20	1.71

## E-SWITCH RR SERIES ROCKER SWITCHES

### Specifications:

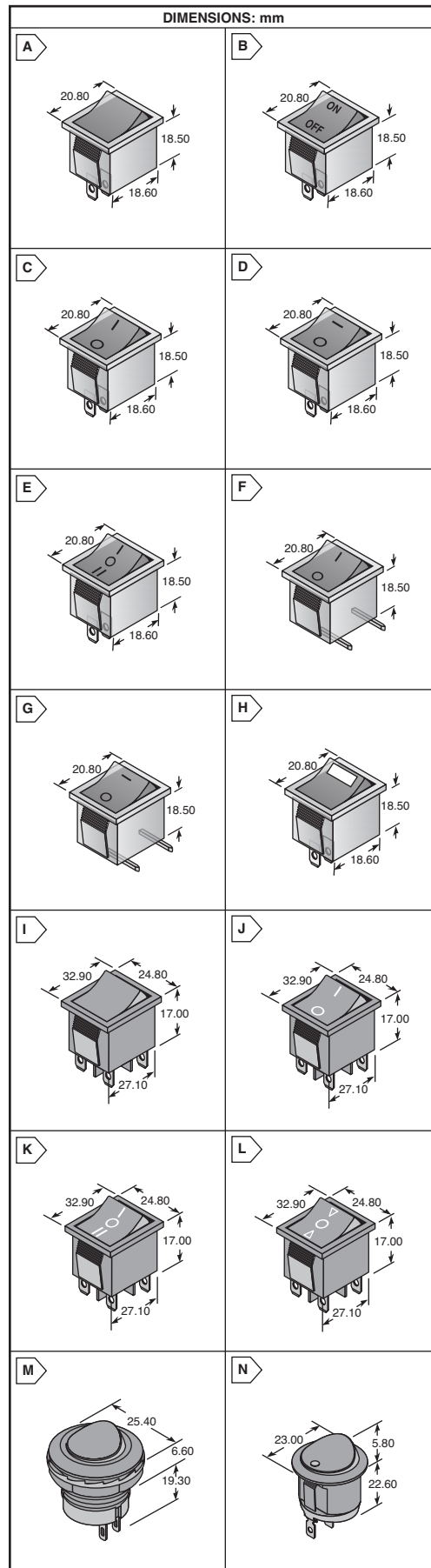
- Contact rating: 10A @125V, 6A 250VAC
- Contact resistance: 50m Ω max.

For quantities of 250 and up, call for quote.

MOUSER STOCK NO.	E-Switch Part No.	Fig.	Type	Circuit	Termination	Price Each			
						1	10	50	100
612-RR3130A	RR3130ANOMARKING	M	SPST	On-Off	Solder	2.79	2.51	2.14	1.68
612-RR3130B	RR3130BNOMARKING	M	DPDT	On-On	Solder	4.19	3.77	3.21	2.51
*612-RR3112ABLKBLKNAF	RR3112ABLKBLKNAF	N	SPST	On-Off	Faston	1.29	1.16	.99	.78

\* Dot marking

© Copyright 2009 Mouser Electronics



E-Switch Rocker Switches