

CHERRY Rocker Switches

RoHS Compliant This product is RoHS compliant.



CHERRY MINIATURE ROCKER SWITCHES

Specifications:

- Dielectric Strength: 1000 VAC for 1 minute
- Insulation Resistance: 10⁹ Ω min at 500 VDC
- All part numbers have a black bezel.
- .187" Q.C. Terminals



RoHS Compliant

For quantities of 500 and up, call for quote.

MOUSER STOCK NO.	Cherry Part No.	Fig.	Circuit	Rocker Color/ Legend	Price Each			
					1	50	100	250
FR Series - Power Rating: 12A 125/250 VAC (UL, cUL) 16A (4) 250V~, T125/55 (VDE)								
540-FRH32A2BBBNN	FRH32A2BBBNN	A	DPST On-Off	Black / Blank	1.16	1.10	1.04	.93
540-FRH32A2DBBNN	FRH32A2DBBNN	A	DPST On-Off	Black / ON OFF	1.12	1.03	.95	.87
540-FRH33A2BBBNN	FRH33A2BBBNN	A	DPST On-On	Black / Blank	1.12	1.03	.95	.87
LR Series - Power Rating: 10A 125 VAC and 8A 250 VAC								
540-LRA32H2FBBNN	LRA32H2FBBNN	B	DPST On-Off	Black / O -	.96	.77	.64	.58
540-LRA22H2BBRLN	LRA22H2BBRLN	B	SPST On-Off	Red Illuminated / Blank	1.10	.88	.72	.66
540-LRA32H2BBRLN	LRA32H2BBRLN	B	DPST On-Off	Red Illuminated / Blank	1.18	.94	.78	.71
SR Series - Power Rating: 10A 125 VAC and 6A 250 VAC								
540-SRB22A2FBBNN	SRB22A2FBBNN	C	SPST On-Off	Black / O -	.75	.60	.50	.45
540-SRB23A2BBBNN	SRB23A2BBBNN	C	SPST On-On	Black / Blank	.80	.64	.53	.48
540-SRB24A2HBBNN	SRB24A2HBBNN	C	SPDT On-Off-On	Black / I O II	.94	.75	.62	.56
540-SRB22A2DBBNN	SRB22A2DBBNN	C	SPST On-Off	Black / ON OFF	.72	.58	.48	.43

CHERRY POWER ROCKER SWITCHES

Specifications:

- Dielectric Strength: 1000 VAC for 1 minute
- Insulation Resistance: 10⁹ Ω min at 500 VDC
- All part numbers have a black bezel.
- .250" Q.C. Terminals



RoHS Compliant

For quantities of 500 and up, call for quote.

MOUSER STOCK NO.	Cherry Part No.	Fig.	Circuit	Rocker Color/ Legend	Price Each			
					1	50	100	250
CR Series - Power Rating: 20A 125 VAC and 16A 250 VAC								
540-CRE22F2FBBNE	CRE22F2FBBNE	D	SPST On-Off	Black / O -	.91	.73	.60	.55
540-CRE22F4BBBNE	CRE22F4BBBNE	D	SPST On-Off	Black-Red / Blank	.94	.75	.62	.56
540-CRE24F2HBBNE	CRE24F2HBBNE	D	SPDT On-Off-On	Black / I O II	1.02	.81	.67	.61
540-CRE22F2BBRLE	CRE22F2BBRLE	D	SPST On-Off	Red Illuminated / Blank	1.15	.92	.76	.69
PR Series - Power Rating: 6A 125 VAC and 3A 250 VAC								
540-PRK22J5BBBNN	PRK22J5BBBNN	E	SPST On-Off	Black / Blank	1.03	.82	.68	.62
540-PRK22J5DBBNN	PRK22J5DBBNN	E	SPST On-Off	Black / On-Off	1.03	.82	.68	.62
TR Series - Power Rating: 16A 125 VAC and 16A 250 VAC								
540-TRG22F2FBBNN	TRG22F2FBBNN	F	SPST On-Off	Black / O -	1.02	.81	.67	.61
WR Series - Power Rating: 16A 125 VAC and 16A 250 VAC								
540-WRG32F2FBBNN	WRG32F2FBBNN	G	DPST On-Off	Black / O -	1.34	1.07	.88	.80
YR Series - Power Rating: 20A 125 VAC and 16A 250 VAC								
540-YRM32F2FBBNN	YRM32F2FBBNN	H	DPST On-Off	Black / O -	1.76	1.45	1.21	1.10
540-YRM33F2BBBNN	YRM33F2BBBNN	H	DPST On-On	Black / Blank	1.82	1.51	1.25	1.13
540-YRM32F2BBRLN	YRM32F2BBRLN	H	DPST On-Off/Lighted	Black / Blank	2.19	1.78	1.49	1.33

CHERRY ROUND ROCKER SWITCHES

Specifications:

- Dielectric Strength: 1000 VAC for 1 minute
- Insulation Resistance: 10⁹ Ω min at 500 VDC
- .187" Q.C. Terminals



RoHS Compliant

For quantities of 500 and up, call for quote.

MOUSER STOCK NO.	Cherry Part No.	Fig.	Circuit	Rocker Color/ Legend	Bezel Color	Lamp	Price Each			
							1	50	100	250
RR Series - Power Rating: 10A 125 VAC and 8A 250 VAC										
540-RAA22H3BBBNN	RAA22H3BBBNN	I	SPST On-Off	Black / Blank	Black	---	.96	.77	.64	.58
540-RAA22H3BWWNN	RAA22H3BWWNN	I	SPST On-Off	White / Blank	White	---	.96	.77	.64	.58
540-RAA22H3BWRNN	RAA22H3BWRNN	I	SPST On-Off	Red / Blank	White	---	.96	.77	.64	.58
540-RAA22H3FBRNN	RAA22H3FBRNN	I	SPST On-Off	Red / O -	Black	---	.96	.77	.64	.58
540-RAA32H3FBBNN	RAA32H3FBBNN	I	DPST On-Off	Black / O -	Black	---	1.45	1.16	.95	.87
540-RAA22H3BBRLN	RAA22H3BBRLN	I	SPST On-Off	Red Illuminated / Blank	Black	125 VAC	1.31	1.05	.86	.79
540-RAA22H3BBGLN	RAA22H3BBGLN	I	SPST On-Off	Green Illuminated / Blank	Black	125 VAC	1.31	1.05	.86	.79
540-RAA22H3BBALN	RAA22H3BBALN	I	SPST On-Off	Amber Illuminated / Blank	Black	125 VAC	1.31	1.05	.86	.79
540-RAA32H3BBRLN	RAA32H3BBRLN	I	DPST On-Off	Red Illuminated / Blank	Black	125 VAC	1.74	1.39	1.15	1.04
540-RAA22H3BBRGN	RAA22H3BBRGN	I	SPST On-Off	Red Illuminated / Blank	Black	6 VDC	1.31	1.05	.86	.79
540-RAA22H3BBRHN	RAA22H3BBRHN	I	SPST On-Off	Red Illuminated / Blank	Black	12 VDC	1.31	1.05	.86	.79
SR Series - Power Rating: 20A 125 VAC and 12A 250 VAC										
540-SRJ22A3BBBNN	SRJ22A3BBBNN	J	SPST On-Off	Black / Blank	Black	---	1.10	.88	.73	.66
540-SRJ23A3BBBNN	SRJ23A3BBBNN	J	SPST On-On	Black / Blank	Black	---	1.30	1.04	.86	.78
540-SRJ24A3BBBNN	SRJ24A3BBBNN	J	SPDT On-Off-On	Black / Blank	Black	---	1.38	1.10	.91	.83
540-SRJ24A3HBBNN	SRJ24A3HBBNN	J	SPDT On-Off-On	Black / I O II	Black	---	1.33	1.06	.87	.80

CHERRY COMPACT ROCKER SWITCHES

Specifications:

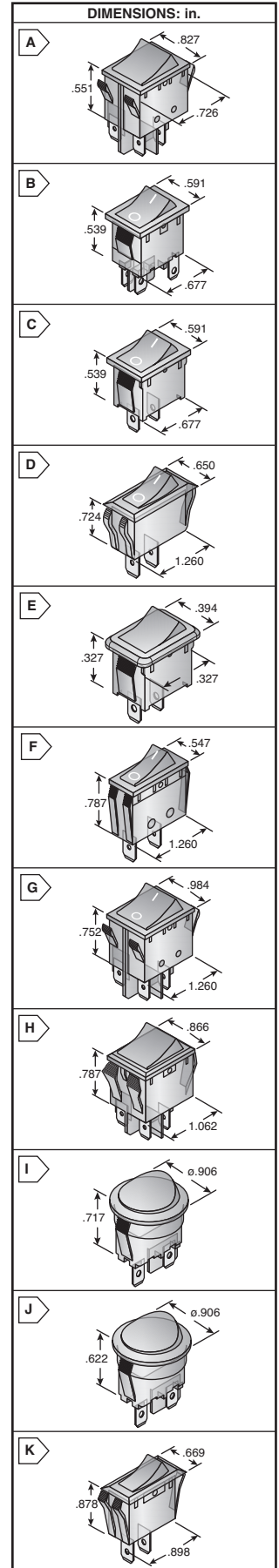
- Dielectric Strength: 1000 VAC for 1 minute
- Insulation Resistance: 10⁹ Ω min at 500 VDC
- All part numbers have a black bezel



RoHS Compliant

For quantities of 500 and up, call for quote.

MOUSER STOCK NO.	Cherry Part No.	Fig.	Circuit	Rocker Color/ Legend	Termination	Price Each			
						1	50	100	250
GR Series - Rating: 15A 125 VAC and 10A 250 VAC									
540-GRF22N2BBBNN	GRF22N2BBBNN	K	SPST On-Off	Black / Blank	.250 Q.C.	.75	.67	.61	.56
540-GRF22N2FBBNN	GRF22N2FBBNN	K	SPST On-Off	Black / O -	.250 Q.C.	.75	.67	.61	.56
540-GRF22N2BBRLN	GRF22N2BBRLN	K	SPST On-Off	Red Illuminated / Blank	.250 Q.C.	1.04	.93	.86	.79
540-GRF22W2BBBNN	GRF22W2BBBNN	K	SPST On-Off	Black / Blank	Wire Lead 16 AWG	1.13	1.03	.93	.85
540-GRF22N2DBBNN	GRF22N2DBBNN	K	SPST On-Off	Black / Off On	.250 Q.C.	.75	.67	.61	.56



Cherry Rocker Switches