

C&K Rocker Switches



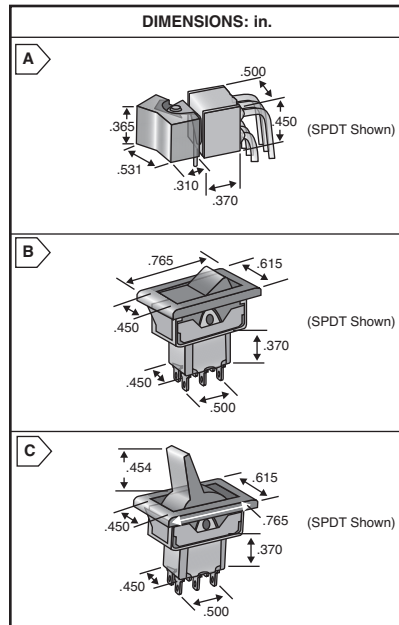
C&K 7000 SERIES ROCKER SWITCHES

Specifications:

- Contact Material: End Contacts- Coin Ag over Ag plate Center contact and all terminals- Cu alloy over Ag plate
- Contact Rating: 5 AMPS @120 V AC or 28 V DC, 2 AMPS @250 V AC
- Termination: Solder lug

For quantities of 1000 or more, call for quote.

MOUSER STOCK NO.	C&K Part No.	Fig.	Contact Form	Circuit () = Momentary	Price Each			
					1	25	100	500
Rocker Switch - No Frame								
611-7105J1ZQE2	7105J1ZQE2	A	SPDT	(On)-Off-(On)	5.67	5.43	4.79	3.53
611-7105J3ZQE2	7105J3ZQE2	A	SPDT	(On)-Off-(On)	6.44	6.16	5.46	4.76
611-7205J3ZQE2	7205J3ZQE2	A	DPDT	(On)-Off-(On)	8.64	8.26	7.22	5.32
Rocker Switch - With Frame								
611-7101J51ZQE22	7101J51ZQE22	B	SPDT	On-None-On	4.64	4.36	3.92	3.57
611-7105J51ZQE22	7105J51ZQE22	B	SPDT	(On)-Off-(On)	6.33	6.05	5.36	3.99
611-7107-022	7107J51ZQE22	B	SPDT	On-Off-(On)	8.40	6.85	5.42	3.99
611-7108J51ZQE22	7108J51ZQE22	B	SPDT	On-None-(On)	6.44	6.16	5.42	3.99
611-7201J51ZQE22	7201J51ZQE22	B	DPDT	On-None-On	6.25	5.85	5.25	4.87
611-7205J51ZQE22	7205J51ZQE22	B	DPDT	(On)-Off-(On)	8.62	8.26	7.22	5.32
611-7203J51ZQE22	7203J51ZQE22	B	DPDT	On-Off-On	8.64	8.26	7.22	5.32
Lever Switch - With Frame								
611-7201J61ZQE2	7201J61ZQE22	C	DPDT	On-None-On	7.70	7.47	6.61	4.76
611-7203J61ZQE22	7203J61ZQE22	C	DPDT	On-Off-On	8.62	8.26	7.22	5.32
611-7205J61ZQE22	7205J61ZQE22	C	DPDT	(On)-Off-(On)	7.49	7.03	6.31	5.32



C&K D SERIES MINIATURE SNAP-IN POWER ROCKER SWITCHES

Specifications:

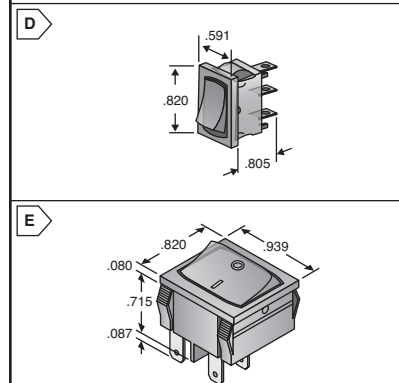
- Contact Material: QA: Cu, Ag plated (UL/CSA) QF: Cu, Ag top lay (UL/CSA/VDE)
- Contact Rating: D10X: 4 AMPS @ 125 V AC; 2 AMPS @ 250 V AC D50X & D60X: 10 AMPS @ 125 V AC; 5 AMPS @ 250 V AC



RoHS Compliant

For quantities of 1000 or more, call for quote.

MOUSER STOCK NO.	C&K Part No.	Fig.	Contact Form	Circuit () = Momentary	Contact Material	Actuator Marking	Price Each			
							1	25	100	500
Quick Connect										
611-D102J12S215PQA	D102J12S215PQA	D	SPST	On-None-Off	QA	O -	1.75	1.67	1.51	1.14
611-D501001	D501J12S215PQF	D	SPDT	On-None-On	QF	O -	2.60	2.37	2.18	1.85
611-D501J12S215QA	D501J12S215QA	D	SPDT	On-None-On	QA	None	1.80	1.71	1.55	1.17
611-D502J12S215PQF	D502J12S215PQF	D	SPST	On-None-Off	QF	O -	2.63	2.51	2.26	1.71
611-D502J12S215PQA	D502J12S215PQA	D	SPST	On-None-Off	QA	O -	1.86	1.78	1.60	1.39
611-D601J12S215PQF	D601J12S215PQF	E	DPDT	On-None-On	QF	O -	4.01	3.83	3.45	2.69
611-D602J12S215PQF	D602J12S215PQF	E	DPST	On-None-Off	QF	O -	3.79	3.62	3.27	2.47
Twisted Quick Connect										
611-D105J12S205Q	D105J12S205QA	F	SPDT	(On)-Off-(On)	QA	None	5.07	4.83	4.36	3.77
611-D508J12S205QA	D508J12S205QA	F	SPDT	(On)-None-(On)	QA	None	3.32	3.14	2.78	2.33
R/A PC Thru-hole										
611-D501J12S2AHQF	D501J12S2AHQF	G	SPDT	On-None-On	QF	O I	3.62	3.45	3.11	2.35
611-D501J12S2APQF	D501J12S2APQF	G	SPDT	On-None-On	QF	O -	3.62	3.45	3.11	2.35



C&K DA SERIES MINIATURE SINGLE POLE ROCKER SWITCHES

Specifications:

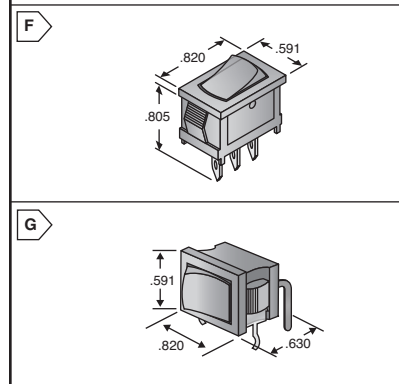
- Contact Rating: UL/CSA: 16AMPS @ 125V AC, 1/3 HP; 10 AMPS @ 250 V AC, 1/2 HP VDE: 10AMPS @ 125 V AC, 6 AMPS @ 250 V AC
- Electrical Life: 10,000 make and break cycles at full load
- Insulation Resistance: 108.5 min.
- Dielectric Strength: 1,500 VRMS @ sea level
- Operating Temperature: -20°C to +85°C



RoHS Compliant

For quantities of 1000 or more, call for quote.

MOUSER STOCK NO.	C&K Part No.	Fig.	Contact Form	Circuit	Termination	Contact Material	Actuator Marking	Price Each			
								1	25	100	500
611-DA101J12S215QF	DA101J12S215QF	E	SPDT	On-None-On	QC	QF	None	.90	.82	.687	.629
611-DA102J12S215DQF	DA102J12S215DQF	E	SPDT	On-None-Off	QC	QF	None	.95	.90	.81	.70
611-DA102J12S215PQF	DA102J12S215PQF	E	SPDT	On-None-Off	QC	QF	None	.90	.87	.76	.559
611-DA102J12S217QF	DA102J12S217QF	E	SPDT	On-None-Off	Solder	QF	None	1.03	.98	.89	.77



C&K DM SERIES MINIATURE POWER ROCKER SWITCHES

Specifications:

- Contact Material: Q: Cu alloy, Ag Plated
- Contact Rating: 10 AMPS @ 125 V AC; 5 AMPS @ 250 V AC



RoHS Compliant

For quantities of 1000 or more, call for quote.

MOUSER STOCK NO.	C&K Part No.	Fig.	Contact Form	Circuit	Termination	Contact Material	Actuator Marking	Price Each			
								1	25	50	100
Non-Illuminated											
611-DM61-122	DM61J12S205Q	H	DPDT	On-On	Quick Connect	Q	None	4.03	3.85	3.09	3.09
611-DM61J12S205PQ	DM61J12S205PQ	H	DPDT	On-On	Quick Connect	Q	O -	4.51	4.27	3.78	3.78
611-DM62J12S205PQ	DM62J12S205PQ	H	DPST	On-Off	Quick Connect	Q	O -	4.01	3.92	3.47	3.47
Illuminated											
611-DM54J72S205Q3	DM54J72S205Q3	I	SPST	On-Off	Quick Connect	Q	Red LED	4.12	3.90	3.45	3.45
611-DM64J72S205Q3	DM64J72S205Q3	I	DPST	On-Off	Quick Connect	Q	Red LED	4.65	4.40	3.90	3.90

