

# VCC LED Lenses and Mounting Components



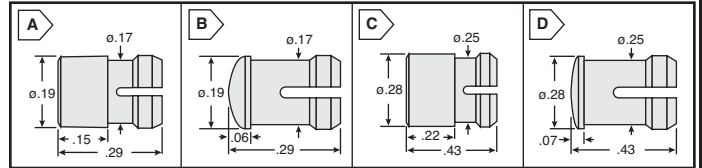
RoHS Compliant This product is RoHS compliant.

## CLIPLITE® ROUND LENS MOUNTS FOR T1 AND T1-3/4 LEDs

- Features:**
- Provides 180° viewing angles for LEDs
  - Easy snap-mount method for front panel assembly
  - ESD protection for LED and internal components to 16K volts
  - Lens utilize striated lines and fresnel rings to increase apparent brightness up to 125%

- Specifications:**
- Lens material: Polycarbonate

**DIMENSIONS:** in.



**T1 (3mm)** For quantities of 1000 and up, call for quote.

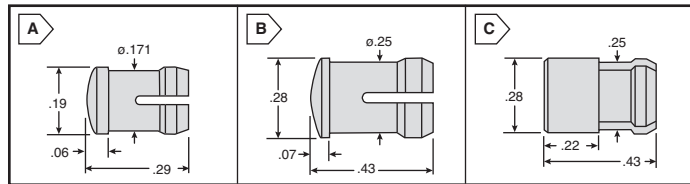
MOUSER STOCK NO.	VCC Part No.	Fig.	Mounting Hole: in.	Lens Color	Price Each			
					1	10	100	500
<b>SML Series - Standard Height</b>								
593-1900R	SML190RTP	A	.171	Red	.28	.24	.21	.17
593-1900A	SML190ATP	A	.171	Amber	.28	.24	.21	.17
593-1900Y	SML190YTP	A	.171	Yellow	.28	.24	.21	.17
593-1900G	SML190GTP	A	.171	Green	.28	.24	.21	.17
593-1900B	SML190BTP	A	.171	Blue	.28	.24	.21	.17
593-1900C	SML190CTP	A	.171	Clear	.28	.24	.21	.17
593-1900GLO	SML190GLO	A	.171	White Frosted	.40	.34	.30	.24
<b>SMB Series - Low Profile</b>								
593-2000R	SMB200RTP	B	.171	Red	.28	.24	.21	.17
593-2000A	SMB200ATP	B	.171	Amber	.28	.24	.21	.17
593-2000Y	SMB200YTP	B	.171	Yellow	.28	.24	.21	.17
593-2000G	SMB200GTP	B	.171	Green	.28	.24	.21	.17
593-2000B	SMB200BTP	B	.171	Blue	.28	.24	.21	.17
593-2000C	SMB200CTP	B	.171	Clear	.28	.24	.21	.17
593-2000GLO	SMB200GLO	B	.171	White Frosted	.40	.34	.30	.24

**T1-3/4 (5mm)** For quantities of 1000 and up, call for quote.

MOUSER STOCK NO.	VCC Part No.	Fig.	Mounting Hole: in.	Lens Color	Price Each			
					1	10	100	500
<b>CLF Series - Standard Height</b>								
593-2800R	CLF280RTP	C	.25	Red	.30	.26	.23	.19
593-2800A	CLF280ATP	C	.25	Amber	.30	.26	.23	.19
593-2800Y	CLF280YTP	C	.25	Yellow	.30	.26	.23	.19
593-2800G	CLF280GTP	C	.25	Green	.30	.26	.23	.19
593-2800B	CLF280BTP	C	.25	Blue	.30	.26	.23	.19
593-2800C	CLF280CTP	C	.25	Clear	.30	.26	.23	.19
593-2800GLO	CLF280GLO	C	.25	White Frosted	.42	.37	.32	.27
<b>CLB Series - Low Profile</b>								
593-3000R	CLB300RTP	D	.25	Red	.30	.26	.23	.19
593-3000A	CLB300ATP	D	.25	Amber	.30	.26	.23	.19
593-3000Y	CLB300YTP	D	.25	Yellow	.30	.26	.23	.19
593-3000G	CLB300GTP	D	.25	Green	.30	.26	.23	.19
593-3000B	CLB300BTP	D	.25	Blue	.30	.26	.23	.19
593-3000C	CLB300CTP	D	.25	Clear	.30	.26	.23	.19
593-3000GLO	CLB300GLO	D	.25	White Frosted	.42	.37	.32	.27

## CUBELITE® SQUARE LENS MOUNTS FOR T1 AND T1-3/4 LEDs

**DIMENSIONS:** in.

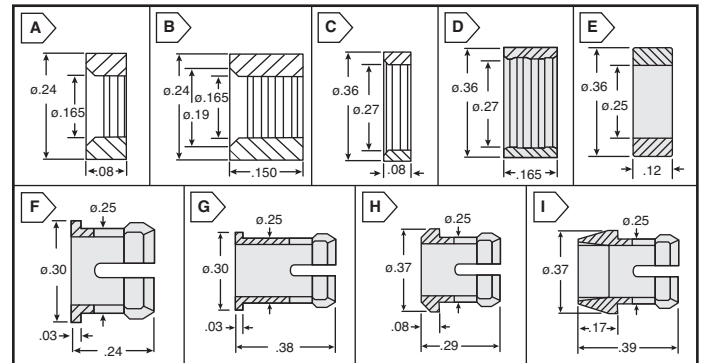


For quantities of 1000 and up, call for quote.

MOUSER STOCK NO.	VCC Part No.	Fig.	Litepipe Length: in.	Price Each			
				1	10	100	500
<b>T1 (3mm) SMQ Series</b>							
593-2500R	SMQ250RTP	A	Red	.30	.26	.23	.19
593-2500A	SMQ250ATP	A	Amber	.30	.26	.23	.19
593-2500Y	SMQ250YTP	A	Yellow	.30	.26	.23	.19
593-2500G	SMQ250GTP	A	Green	.30	.26	.23	.19
593-2500B	SMQ250BTP	A	Blue	.30	.26	.23	.19
593-2500C	SMQ250CTP	A	Clear	.30	.26	.23	.19
<b>T1-3/4 (5mm) SQB Series</b>							
593-4000R	SQB400RTP	B	Red	.30	.26	.23	.19
593-4000A	SQB400ATP	B	Amber	.30	.26	.23	.19
593-4000Y	SQB400YTP	B	Yellow	.30	.26	.23	.19
593-4000G	SQB400GTP	B	Green	.30	.26	.23	.19
593-4000B	SQB400BTP	B	Blue	.30	.26	.23	.19
593-4000C	SQB400CTP	B	Clear	.30	.26	.23	.19
<b>T1-3/4 (5mm) SQL Series</b>							
593-3600R	SQL360RTP	C	Red	.30	.26	.23	.19
593-3600A	SQL360ATP	C	Amber	.30	.26	.23	.19
593-3600Y	SQL360YTP	C	Yellow	.30	.26	.23	.19
593-3600G	SQL360GTP	C	Green	.30	.26	.23	.19
593-3600B	SQL360BTP	C	Blue	.30	.26	.23	.19
593-3600C	SQL360CTP	C	Clear	.30	.26	.23	.19

## RETAINING RINGS, MOUNTING CLIPS, AND SPACERS FOR LENSES

**DIMENSIONS:** in.



For quantities of 500 and up, call for quote.

MOUSER STOCK NO.	Fig.	Description	Price Each		
			1	10	100
<b>Retaining Rings</b>					
593-RNG132	A	For SMC Series	.09	.08	.07
593-RNG165	B	For SML, SMB, and SMQ Series	.09	.08	.07
593-RNG234	C	For CMC Series	.09	.08	.07
593-RNG268	D	For CLF, CLB, and SQB Series	.09	.08	.07
<b>LED Spacer</b>					
593-SPC125	E	Spacer for CLB Series	.09	.08	.07
<b>Mounting Clips</b>					
593-CLP125	F	Standard Clip	.09	.08	.07
593-CLP126	G	Extended Clip	.09	.08	.07
593-CLP127	H	Outer Reflector Clip	.09	.08	.07
593-CLP129	I	Inner Reflector Clip	.09	.08	.07

## LITEPIPES

### Material Specifications:

- Litepipe: acrylic (optical grade)

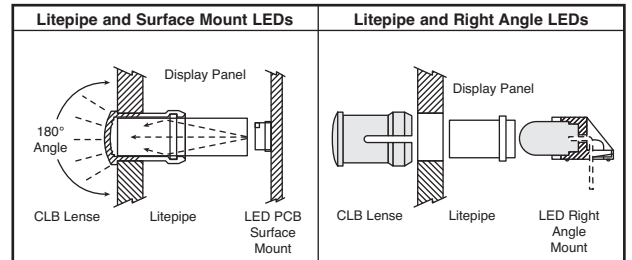
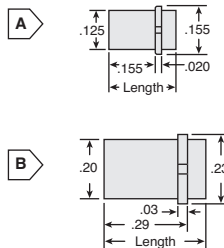
**DIMENSIONS:** in.

### Mounting Specifications:

- **T1 (3mm):** mates with lens SMB 200. Panel mounting hole .171 (4.3mm) on 1/4" centers. Panel thickness 1/32" to 1/8". Litepipe lengths from .200" to 1.200".
- **T1-3/4 (5mm):** mate with lens CLB 300 and SQB 400. Panel mounting hole .250 (6.35mm) on 3/8" centers. Panel thickness 1/32" to 1/4". Litepipe lengths from .360" to 1.360". For panels less than 3/16" use SPC 125 spacer.

### Standoff Specifications:

- Use VCC's standoff to adjust the height of a standard LED above the PCB and maintain a maximum .050" clearance between litepipe and LED.



**T1 (3mm) LSV Series LEDs** For quantities of 1000 and up, call for quote.

MOUSER STOCK NO.	VCC Part No.	Fig.	Litepipe Length: in.	Price Each			
				1	10	100	500
593-LSV020C	LSV020CTP	A	.20	.30	.27	.25	.23
593-LSV040C	LSV040CTP	A	.40	.30	.27	.25	.23
593-LSV060C	LSV060CTP	A	.60	.30	.27	.25	.23
593-LSV080C	LSV080CTP	A	.80	.30	.27	.25	.23
593-LSV100C	LSV100CTP	A	1.00	.30	.27	.25	.23
593-LSV120C	LSV120CTP	A	1.20	.30	.27	.25	.23

**T1-3/4 (5mm) LCV Series LEDs** For quantities of 1000 and up, call for quote.

MOUSER STOCK NO.	VCC Part No.	Fig.	Litepipe Length: in.	Price Each			
				1	10	100	500
593-LCV036C	LCV036CTP	B	.36	.30	.27	.25	.23
593-LCV056C	LCV056CTP	B	.56	.30	.27	.25	.23
593-LCV076C	LCV076CTP	B	.76	.30	.27	.25	.23
593-LCV096C	LCV096CTP	B	.96	.30	.27	.25	.23
593-LCV116C	LCV116CTP	B	1.16	.30	.27	.25	.23
593-LCV136C	LCV136CTP	B	1.36	.30	.27	.25	.23