

Rocker Switches



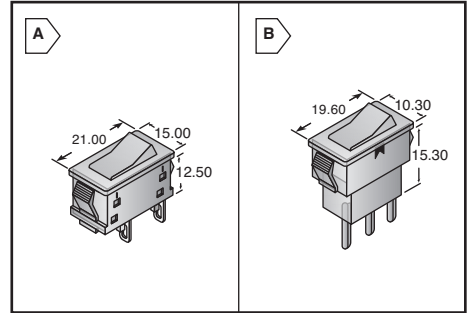
APPLIANCE STYLE ROCKER SWITCHES



DIMENSIONS: in.

For quantities of 1000 and up, call for quote.

| MOUSER STOCK NO. | Apem Part No. | Fig. | Function | Terminal | Price Each | | | |
|------------------|---------------|------|------------------------|---------------|------------|------|------|------|
| | | | | | 1 | 25 | 100 | 500 |
| 642-FMC12A220 | FMC12A220 | A | SPST On-Off | Solder | 1.27 | 1.22 | 1.09 | 1.00 |
| 642-FMC32A220 | FMC32A220 | A | SPST Off-(On) | Solder | 2.64 | 2.24 | 2.13 | 1.99 |
| 642-FMC62A220 | FMC62A220 | A | SPDT On-On | Solder | 1.58 | 1.51 | 1.32 | 1.23 |
| 642-FML18A276A0 | FML18A276A0 | A | SPST On-Off Illum. Red | Quick-connect | 2.97 | 2.70 | 2.43 | 2.28 |
| 642-FMC92A220 | FMC92A220 | A | SPDT On Off On | PC | 1.72 | 1.63 | 1.45 | 1.34 |
| 642-AS36S010010 | AS36S010010 | B | SPDT On-On | Solder | 3.33 | 3.03 | 2.54 | 2.35 |
| 642-AS39S010010 | AS39S010010 | B | SPDT On-Off-On | Solder | 2.92 | 2.62 | 2.41 | 2.19 |
| 642-AS37S010010 | AS37S010010 | B | SPDT (On)-Off-(On) | Solder | 3.53 | 3.15 | 2.91 | 2.68 |
| 642-AS36P0 | AS36P0 | B | SPDT On-On | PC | 2.63 | 2.36 | 2.22 | 2.04 |
| 642-AS39P0 | AS39P0 | B | SPDT On-Off-On | PC | 2.92 | 2.62 | 2.41 | 2.19 |

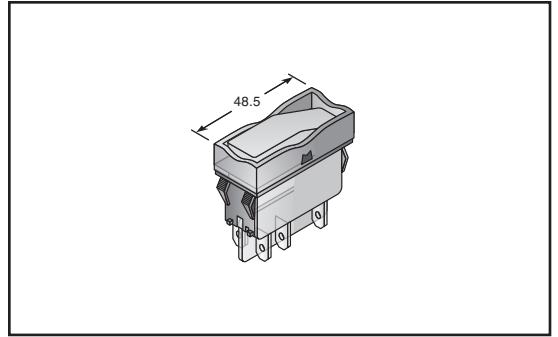


POWER ROCKER SWITCHES

DIMENSIONS: in.

For quantities of 1000 and up, call for quote.

| MOUSER STOCK NO. | Apem Part No. | Function | Price Each | | | |
|---|---------------|---------------------|------------|-------|-------|-------|
| | | | 1 | 25 | 100 | 500 |
| Non-Illuminated | | | | | | |
| 642-KG312A2XXA21 | KG312A2XXA21 | SPST On-Off | 7.85 | 7.07 | 6.67 | 6.00 |
| 642-KG362A2XXA21 | KG362A2XXA21 | SPDT On-On | 8.40 | 7.56 | 7.13 | 6.30 |
| 642-KG372A2XXA21 | KG372A2XXA21 | SPDT (On) -Off-(On) | 11.34 | 10.20 | 9.64 | 8.66 |
| 642-KG412A2XXA21 | KG412A2XXA21 | DPST On-Off | 8.89 | 8.45 | 7.99 | 7.56 |
| 642-KG452A2XXA21 | KG452A2XXA21 | DPDT (On)-On | 10.58 | 9.99 | 9.40 | 8.82 |
| 642-KG462A2XXA21 | KG462A2XXA21 | DPDT On-On | 10.62 | 9.57 | 9.03 | 7.97 |
| Illuminated - Red lens - 12V Red LED | | | | | | |
| 642-KG312A2DXA246 | KG312A2DXA246 | SPST On-Off | 11.85 | 11.19 | 10.79 | 10.58 |
| 642-KG352A2DXA246 | KG352A2DXA246 | SPDT (On)-On | 12.43 | 11.73 | 11.05 | 10.36 |
| 642-KG362A2DXA246 | KG362A2DXA246 | SPDT On-On | 9.87 | 9.32 | 8.77 | 8.22 |
| 642-KG412A2DXD246 | KG412A2DXD246 | DPST On-Off | 15.75 | 14.17 | 13.39 | 11.81 |
| 642-KG452A2DXA246 | KG452A2DXA246 | DPDT (On)-On | 13.76 | 13.00 | 12.23 | 11.47 |
| 642-KG462A2DXA246 | KG462A2DXA246 | DPDT On-On | 11.72 | 11.07 | 10.42 | 9.76 |



V SERIES: CONTURA SEALED ROCKER SWITCHES



DIMENSIONS: in.

Flexibility of options with interchangeable actuators (sold separately below)

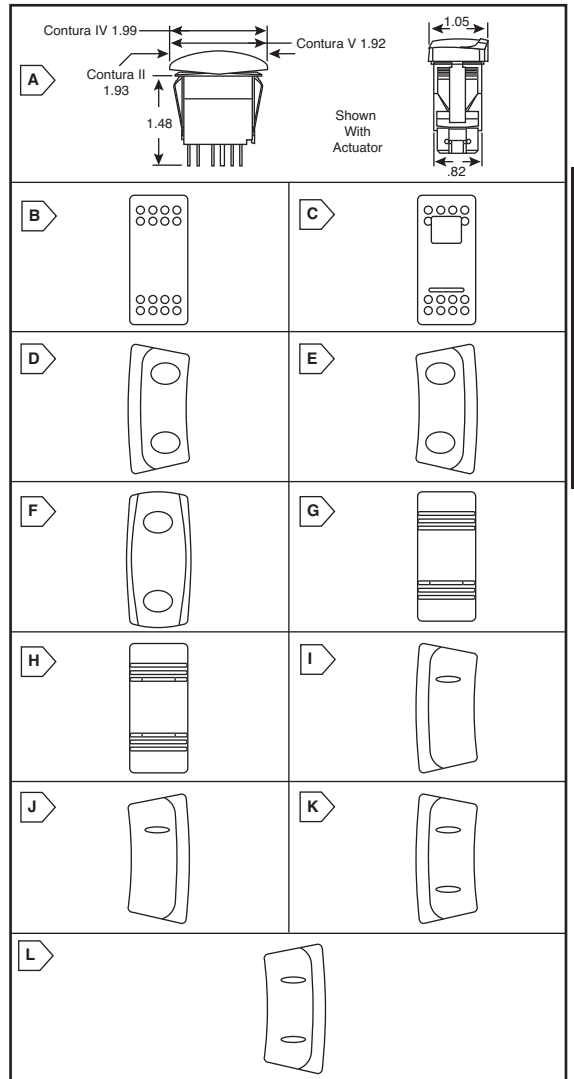
Specifications:

- IP66/IP68 certified
- Meet UL1500/ISO8846 for ignition protection
- Temperature range: 40°C to +85°C
- Rating: 20A @ 12VDC
- Termination: 10 terminals, .250 QC without barriers

() Momentary

For quantities of 250 and up, call for quote.

| MOUSER STOCK NO. | Carling Technologies Part No. | Fig. | Contact Form | Circuit | Price Each | | | |
|--|-------------------------------|-------------------------|---|---------------|------------|-------|-------|-------|
| | | | | | 1 | 25 | 50 | 100 |
| Switch Body Only, No Lamps | | | | | | | | |
| 691-V2D2S00B | V2D2S00B-00000-000 | A | SPST | (ON)-OFF | 4.52 | 3.86 | 3.55 | 3.39 |
| Actuators for Switches With No Lamps or LEDs | | | | | | | | |
| 691-VVAZC | VVAZC00-000 | B | Black, hard, raised bumps each end | | 1.05 | .90 | .86 | .79 |
| 691-VVAZB | VVAZB00-000 | B | Black, soft, raised bumps each end | | 1.69 | 1.44 | 1.31 | 1.27 |
| Switch Body Only With 1 12V Amber LED and 1 12V Superbright Green LED | | | | | | | | |
| 691-V1D2GHNB | V1D2GHNB-00000-000 | A | SPST | ON-OFF | 9.60 | 8.20 | 7.71 | 7.21 |
| 691-V2D2GHNB | V2D2GHNB-00000-000 | A | SPST | (ON)-OFF | 10.10 | 8.63 | 8.11 | 7.59 |
| 691-VGD2GHNB | VGD2GHNB-00000-000 | A | SPDT | OFF-ON-ON | 13.18 | 11.26 | 10.51 | 9.90 |
| 691-V4D2GHNB | V4D2GHNB-00000-000 | A | SPST | ON-ON | 10.24 | 8.75 | 8.23 | 7.70 |
| 691-V6D2GHNB | V6D2GHNB-00000-000 | A | SPDT | ON-OFF-ON | 10.24 | 8.75 | 8.23 | 7.70 |
| 691-VED2GHNB | VED2GHNB-00000-000 | A | SPDT | ON-ON-ON | 14.14 | 12.08 | 11.27 | 10.62 |
| 691-V8D2GHNB | V8D2GHNB-00000-000 | A | SPDT | (ON)-OFF-(ON) | 9.07 | 7.75 | 7.07 | 6.82 |
| 691-VLD2GHNB | VLD2GHNB-00000-000 | A | DPDT | (ON)-OFF-(ON) | 11.34 | 9.69 | 8.78 | 8.52 |
| Actuators for Switches With LEDs | | | | | | | | |
| 691-VVAAC | VVAAC00-000 | C | Contura II, Black with white square lens, white bar | | 1.05 | .90 | .86 | .79 |
| 691-VVEAC | VVEAC00-000 | D | Contura IV, Black with white dual round lenses | | 1.25 | 1.07 | .99 | .838 |
| 691-VVFAC | VVFAC00-000 | E | Contura IV, Black with white dual round lenses | | 1.17 | 1.11 | 1.06 | .95 |
| 691-VVGAC | VVGAC00-000 | F | Contura V, Black with white dual round lenses | | .97 | .83 | .76 | .64 |
| Switch Body Only With 1 12V Incandescent Lamp | | | | | | | | |
| 691-V1D2B60B | V1D2B60B-00000-000 | A | SPST | ON-OFF | 5.70 | 4.87 | 4.52 | 4.29 |
| 691-V8D2B60B | V8D2B60B-00000-000 | A | SPDT | (ON)-OFF-(ON) | 6.99 | 5.98 | 5.55 | 5.25 |
| Switch Body Only With 2 12V Incandescent Lamps | | | | | | | | |
| 691-V4D2D66B | V4D2D66B-00000-000 | A | SPST | ON-ON | 8.04 | 6.87 | 6.42 | 6.04 |
| 691-V6D2D66B | V6D2D66B-00000-000 | A | SPDT | ON-OFF-ON | 8.04 | 6.87 | 6.42 | 6.04 |
| Actuators for Switches With Incandescent Lamps | | | | | | | | |
| 691-VVCMC | VVCMC00-000 | G | Contura III, Red bar lens one end | | 1.05 | .90 | .86 | .79 |
| 691-VVCNC | VVCNC00-000 | H | Contura III, 2 red bar lenses, 1 each end | | 1.05 | .90 | .86 | .79 |
| 691-VVEMC | VVEMC00-000 | I | Contura IV, Red bar lens one end | | 1.32 | 1.13 | 1.04 | .88 |
| 691-VVFCM | VVFCM00-000 | J | Contura IV, Red bar lens one end | | 1.32 | 1.13 | 1.04 | .88 |
| 691-VVENC | VVENC00-000 | K | Contura IV, 2 red bar lenses, 1 each end | | 1.25 | 1.07 | .99 | .838 |
| 691-VVFNC | VVFNC00-000 | L | Contura IV, 2 red bar lenses, 1 each end | | 1.19 | .88 | .84 | .73 |
| Tools and Accessories for Contura Switches | | | | | | | | |
| 691-VRT | VRT | Actuator removal tool | | | 2.65 | 2.27 | 2.08 | 1.76 |
| 691-VPS-01 | VPS-01 | Panel seal | | | .74 | .63 | .58 | .49 |
| 691-VC1-01 | VC1-01 | 10 terminal connector | | | .92 | .88 | .84 | .76 |
| 691-VH2-01 | VH2-01 | Hole plug | | | 1.11 | .95 | .87 | .74 |
| 691-VM3-01 | VM3-01 | 3-gang mounting bracket | | | 3.32 | 2.84 | 2.61 | 2.21 |



Rocker Switches

