

OMRON 22mm Pushbutton and Emergency Stop Switches

INDUSTRIAL AUTOMATION

OMRON A22 SERIES: 22MM ILLUMINATED PUSHBUTTON SWITCHES

Specifications :

- Contact ratings: 10A @ 24/110VAC
- SPST-NO+SPST-NC momentary switch block provided
- Install using either round, forked crimp terminals or ferrules

LED Specifications:

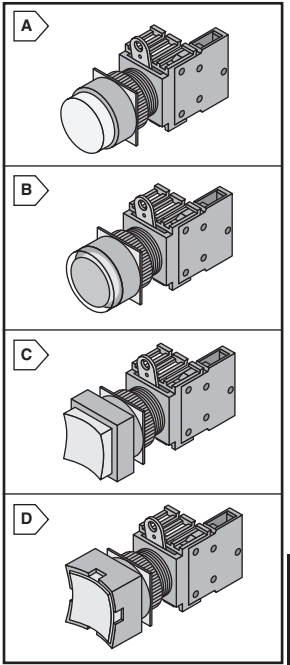
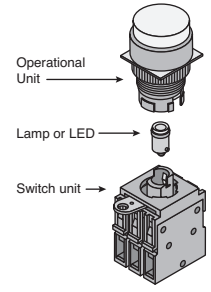
- Rated current: 10mA
- Operating voltage: 24VAC/DC
- Internal limiting resistor: 1600Ω

Types with transformer light source may be lit by directly applying 110VAC/DC to the lamp terminal.

Each unit includes operational unit, LED, switch unit w/ SPST-NO+SPST-NC contact block, and IP65 rated color cap.

For quantities of 100 and up, call for quote.

MOUSER STOCK NO.	Omron Part No.	Fig.	Cap Color	Actuator Type	Illumination Method	Price Each			
						1	10	25	50
653-A22L-TR-24A-11M	A22L-TR-24A-11M	A	Red	Round extended	24VAC/DC LED	39.88	36.52	34.72	33.16
653-A22L-TY-24A-11M	A22L-TY-24A-11M	A	Yellow	Round extended	24VAC/DC LED	28.37	27.40	26.56	25.70
653-A22L-TG-24A-11M	A22L-TG-24A-11M	A	Green	Round extended	24VAC/DC LED	28.37	27.40	26.56	25.70
653-A22L-TA-24A-11M	A22L-TA-24A-11M	A	Blue	Round extended	24VAC/DC LED	69.10	66.74	64.69	62.60
653-A22L-TY-T1-11M	A22L-TY-T1-11M	A	Yellow	Round extended	24VAC/DC LED with transformer	45.92	44.37	42.98	41.61
653-A22L-TG-T1-11M	A22L-TG-T1-11M	A	Green	Round extended	24VAC/DC LED with transformer	49.05	44.91	42.70	40.78
653-A22L-TW-T1-11M	A22L-TW-T1-11M	A	White	Round extended	24VAC/DC LED with transformer	45.92	44.37	42.98	41.61
653-A22L-TA-T1-11M	A22L-TA-T1-11M	A	Blue	Round extended	24VAC/DC LED with transformer	77.69	75.04	72.72	70.39
653-A22L-GR-24A-11M	A22L-GR-24A-11M	B	Red	Round full guard	24VAC/DC LED	40.31	37.28	34.26	32.98
653-A22L-GY-24A-11M	A22L-GY-24A-11M	B	Yellow	Round full guard	24VAC/DC LED	33.59	32.45	31.44	30.49
653-A22L-GG-24A-11M	A22L-GG-24A-11M	B	Green	Round full guard	24VAC/DC LED	44.21	42.71	41.37	40.06
653-A22L-GW-24A-11M	A22L-GW-24A-11M	B	White	Round full guard	24VAC/DC LED	44.21	42.71	41.37	40.06
653-A22L-GA-24A-11M	A22L-GA-24A-11M	B	Blue	Round full guard	24VAC/DC LED	75.98	73.39	71.11	68.82
653-A22L-GR-T1-11M	A22L-GR-T1-11M	B	Red	Round full guard	24VAC/DC LED with transformer	40.44	39.06	37.85	36.70
653-A22L-GY-T1-11M	A22L-GY-T1-11M	B	Yellow	Round full guard	24VAC/DC LED with transformer	40.44	39.06	37.85	36.70
653-A22L-GG-T1-11M	A22L-GG-T1-11M	B	Green	Round full guard	24VAC/DC LED with transformer	40.44	39.06	37.85	36.70
653-A22L-GW-T1-11M	A22L-GW-T1-11M	B	White	Round full guard	24VAC/DC LED with transformer	53.24	51.41	49.83	48.23
653-A22L-GA-T1-11M	A22L-GA-T1-11M	B	Blue	Round full guard	24VAC/DC LED with transformer	83.27	80.43	77.93	75.44
653-A22L-CR-24A-11M	A22L-CR-24A-11M	C	Red	Square extended	24VAC/DC LED	41.33	40.10	38.90	37.71
653-A22L-CY-24A-11M	A22L-CY-24A-11M	C	Yellow	Square extended	24VAC/DC LED	56.67	54.74	53.04	51.34
653-A22L-CG-24A-11M	A22L-CG-24A-11M	C	Green	Square extended	24VAC/DC LED	56.67	54.74	53.04	51.34
653-A22L-CW-24A-11M	A22L-CW-24A-11M	C	White	Square extended	24VAC/DC LED	56.67	54.74	53.04	51.34
653-A22L-CA-24A-11M	A22L-CA-24A-11M	C	Blue	Square extended	24VAC/DC LED	86.70	83.76	81.15	78.56
653-A22L-CR-T1-11M	A22L-CR-T1-11M	C	Red	Square extended	24VAC/DC LED with transformer	65.25	63.03	61.09	59.12
653-A22L-CY-T1-11M	A22L-CY-T1-11M	C	Yellow	Square extended	24VAC/DC LED with transformer	65.25	63.03	61.09	59.12
653-A22L-CG-T1-11M	A22L-CG-T1-11M	C	Green	Square extended	24VAC/DC LED with transformer	49.57	47.88	46.40	44.91
653-A22L-CW-T1-11M	A22L-CW-T1-11M	C	White	Square extended	24VAC/DC LED with transformer	65.25	63.03	61.09	59.12
653-A22L-CA-T1-11M	A22L-CA-T1-11M	C	Blue	Square extended	24VAC/DC LED with transformer	95.30	92.05	89.19	86.32
653-A22L-DR-24A-11M	A22L-DR-24A-11M	D	Red	Square full guard	24VAC/DC LED	43.04	41.31	40.28	38.99
653-A22L-DY-24A-11M	A22L-DY-24A-11M	D	Yellow	Square full guard	24VAC/DC LED	43.04	41.31	40.28	38.99
653-A22L-DG-24A-11M	A22L-DG-24A-11M	D	Green	Square full guard	24VAC/DC LED	43.04	41.31	40.28	38.99
653-A22L-DW-24A-11M	A22L-DW-24A-11M	D	White	Square full guard	24VAC/DC LED	43.04	41.31	40.28	38.99
653-A22L-DA-24A-11M	A22L-DA-24A-11M	D	Blue	Square full guard	24VAC/DC LED	86.70	83.76	81.15	78.56
653-A22L-DR-T1-11M	A22L-DR-T1-11M	D	Red	Square full guard	24VAC/DC LED with transformer	65.25	63.03	61.09	59.12
653-A22L-DY-T1-11M	A22L-DY-T1-11M	D	Yellow	Square full guard	24VAC/DC LED with transformer	65.25	63.03	61.09	59.12
653-A22L-DG-T1-11M	A22L-DG-T1-11M	D	Green	Square full guard	24VAC/DC LED with transformer	65.25	63.03	61.09	59.12
653-A22L-DW-T1-11M	A22L-DW-T1-11M	D	White	Square full guard	24VAC/DC LED with transformer	69.68	68.80	60.69	57.94
653-A22L-DA-T1-11M	A22L-DA-T1-11M	D	Blue	Square full guard	24VAC/DC LED with transformer	75.75	73.17	70.90	68.62



Omron Pushbutton Switches

OMRON A22 SERIES: 22MM EMERGENCY STOP SWITCHES

- Locking lever ensures easy mounting and removal of switch
- Finger safe contact blocks
- Install using either round, forked crimp terminals or ferrules

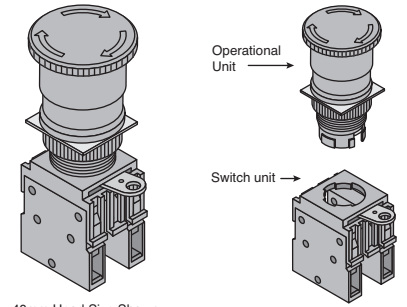
- Contact form: SPST-NO + SPST-NC
- Degree of protection: IP65
- Contact rating: 3A @ 30VDC/250VAC; 5A @ 125VAC



Each unit includes operational unit and switch unit.

For quantities of 100 and up, call for quote.

MOUSER STOCK NO.	Omron Part No.	Head Size	Description	Price Each			
				1	10	25	50
653-A22E-MP-01	A22E-MP-01	40mm	Push Pull, 1NC	49.04	45.82	44.29	43.56
653-A22E-MP-11	A22E-MP-11	40mm	Push Pull, 1NO-1NC	61.19	59.11	57.27	55.43
653-A22E-LP-11	A22E-LP-11	60mm	Push Pull 1NO-1NC	65.39	63.16	61.21	59.25
653-A22E-S-01	A22E-S-01	30mm	Push-lock, Turn-reset, 1NC	49.04	45.82	44.29	43.56
653-A22E-S-11	A22E-S-11	30mm	Push-lock, Turn-reset, 1NO-1NC	44.75	43.24	41.89	40.55
653-A22E-M-01	A22E-M-01	40mm	Push-lock, Turn-reset, 1NC	42.34	40.83	39.19	36.69
653-A22E-M-11	A22E-M-11	40mm	Push-lock, Turn-reset, 1NO-1NC	55.50	49.50	48.00	45.60
653-A22E-L-11	A22E-L-11	60mm	Push-lock, Turn-reset, 1NO-1NC	56.07	54.16	52.47	50.80
653-A22E-SK-11	A22E-SK-11	30mm	Push-lock, Key-reset, 1NO-1NC	58.19	56.22	54.47	52.72
653-A22E-MK-11	A22E-MK-11	40mm	Push-lock, Key-reset, 1NO-1NC	61.83	57.76	54.92	51.30
653-A22EL-M-24A-01	A22EL-M-24A-01	40mm	24VAC/DC Illum. Push-lock, turn-res, 1NC	64.59	60.34	57.37	55.25
653-A22EL-M-24A-11	A22EL-M-24A-11	40mm	24VAC/DC Illum. Push-lock, turn-res, 1NO-1NC	84.97	82.08	79.54	76.98
653-A22EL-M-24A-02	A22EL-M-24A-02	40mm	24VAC/DC Illum. Push-lock, turn-res, 2NC	84.97	81.57	76.47	73.93



OMRON ACCESSORIES FOR 22MM SWITCHES

Replacement caps, LEDs, and various other tools are also available. Contact Mouser for these items.

For quantities of 100 and up, call for quote.

MOUSER STOCK NO.	Omron Part No.	Description	Price Each			
			1	10	25	50
653-A22-10	A22-10	Replacement switch block, SPST-NO, general purp.	7.82	7.56	7.33	7.09
653-A22-10S	A22-10S	Replacement switch block, SPST-NO, microload	18.90	18.26	17.70	17.13
653-A22-01	A22-01	Replacement switch block, SPST-NC, general purp.	10.29	9.96	9.64	9.33
653-A22-01S	A22-01S	Replacement switch block, SPST-NC, microload	24.64	23.89	23.14	22.54
653-A22-20	A22-20	Replacement switch block, DPST-NO, general purp.	24.24	22.43	20.61	19.40
653-A22-20S	A22-20S	Replacement switch block, DPST-NO, microload	39.88	36.52	34.72	33.16
653-A22-02	A22-02	Replacement switch block, DPST-NC, general purp.	30.32	29.29	28.38	27.48
653-A22-02S	A22-02S	Replacement switch block, DPST-NC, microload	39.88	36.52	34.72	33.16
653-A22Z-3905	A22Z-3905	Tightening wrench for lock nuts	18.64	18.01	17.45	16.89
653-A22Z-3901	A22Z-3901	Lamp extractor	6.45	5.99	5.70	5.41
653-A3PJ-5080	A3PJ-5080	Lens remover	3.46	3.30	3.11	3.01

