


TYCO ELECTRONICS Lighting Connectors Tyco Electronics

 This product is RoHS compliant.

Authorized Distributor

“STAR BOARD” LED PIXEL HOLDER

Features:

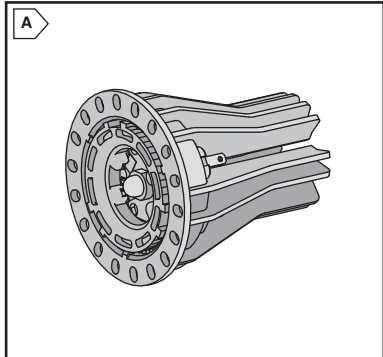
- Design combines thermal and electrical connections to the hexagonal “Star” LED board configurations
- Versatility in mounting monochromatic and RGB “Star” LEDs without the need for solder
- Standard 110 FASTON Receptacle quick connects for easy Class 2 power wiring
- LED Holder allows for replacement of the star board after installation
- Accommodates star board thicknesses in the range of 1.0mm to 2.5mm



RoHS Compliant

For quantities of 200 and up, call for quote.

MOUSER STOCK NO.	Tyco Electronics Part No.	Fig.	Description	Price Each		
				1	10	100
571-2008675-1	2008675-1	A	LED Holder Kit (includes contact carrier, locking ring and heat sink)	16.09	12.51	10.01
571-2008671-1	2008671-1	-	Optional Diffuser Lens	2.54	1.97	1.58
571-2058329-1	2058329-1	-	Optional Thermal Interface Pad	.40	.32	.26



SMT AND THRU-HOLE POKE-IN WIRE LIGHTING CONNECTORS

Features:

- Tape & Reel Packaging for High Speed SMT Processes
- RoHS Compliant Redundant SMT Pads Prevents Peeling
- Rounded Corners to Minimize Shadowing
- Side to Side Stackable with Pads on 4mm Centers
- Accepts 18, 20, 22 AWG Solid Wire; 18, 20 AWG Prebond Stranded; 18 AWG Stranded (16 Strands Only)
- Cost Effective Alternative to Hand Soldering Wires
- Low profile Design
- Flat Top Surface Allows for Vacuum Pick Up
- High Temperature Material for Reflow Processing

Applications:

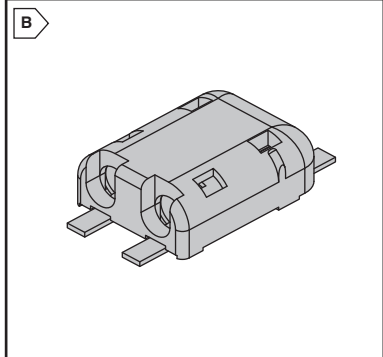
- Lighting Controls
- Interconnecting Strings of Printed Circuit LED Light Modules



RoHS Compliant

For quantities of 200 and up, call for quote.

MOUSER STOCK NO.	Tyco Electronics Part No.	Fig.	No. of Positions	Color	Price Each		
					1	25	100
Standard							
571-2008563-1	2008563-1	B	1	SMT, white	.55	.50	.354
571-1954097-1	1954097-1	B	2	SMT, white	.56	.52	.47
571-2008839-1	2008839-1	C	1	Thru-Hole, white	.58	.526	.372
571-2008839-2	2008839-2	C	1	Thru-Hole, black	.50	.46	.411
571-2008106-1	2008106-1	C	2	Thru-Hole, white	.87	.78	.555
Standard, Gel-Filled							
571-2008994-1	2008994-1	B	1	SMT, white	.58	.531	.48
571-1954785-1	1954785-1	B	2	SMT, white	.73	.665	.598
571-2008995-1	2008995-1	C	1	Thru-Hole, white	.61	.552	.50
571-2008996-1	2008996-1	C	2	Thru-Hole, white	.84	.768	.69



LIGHT-N-LOK™ CONNECTORS

Features:

- Available in 2 and 3 position sizes
- Poke-in termination for 18 AWG solid wire for easy tool-less, field or factory installation
- Integral strain-relief prevents inadvertent wire twist out and pull out
- Designed for hot plugging
- Snag-resistant rounded housings
- Connector latches prevent unintentional disconnect

Applications:

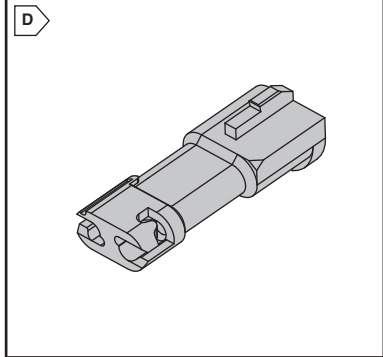
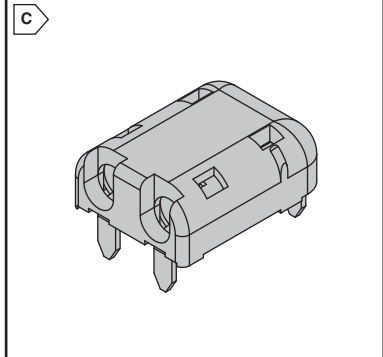
- Commercial lighting applications for UL2459
- Hot-pluggable interconnect for fluorescent ballast applications
- Meets new NEC and CEC requirements



RoHS Compliant

For quantities of 200 and up, call for quote.

MOUSER STOCK NO.	Tyco Electronics Part No.	Fig.	No. of Positions	Description	Price Each		
					1	25	100
571-2008144-1	2008144-1	D	2	Mated Pair, Plug & Receptacle	1.06	.96	.68
571-2008152-1	2008152-1	D	3	Mated Pair, Plug & Receptacle	1.44	1.30	.925



IDC POKE-IN WIRE TAP/SPLICE

Features:

- Tap termination allows feed-through in 12 AWG (solid or stranded) or 18 AWG THHN/THWN wire
- Splice poke-in accommodates two (2) pre-stripped 18 AWG solid wires
- Cost effective termination system for installation of ballast lighting systems

Applications:

- Commercial Ballast Lighting System



RoHS Compliant

For quantities of 200 and up, call for quote.

MOUSER STOCK NO.	Tyco Electronics Part No.	Fig.	Description	Price Each		
				1	25	100
571-1811027-1	1811027-1	E	Brown, 12 AWG Tap Connector	.50	.454	.321
571-1811027-2	1811027-2	E	Blue, 18 AWG Tap Connector	.43	.39	.27

