

Pushbutton Switches



E-SWITCH™ LP11 SERIES ILLUMINATED PUSHBUTTON

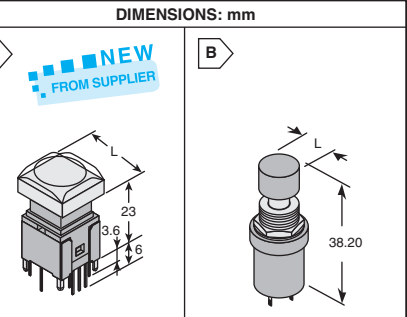
Features:

- Multiple illuminated options
- Tactile or Non-Tactile feel
- Multiple cape size



For quantities of 250 and up, call for quote.

MOUSER STOCK NO.	E-Switch Part No.	Fig.	Contact Form	Actuation Type	Cap/Body Dim. "L"	Cap Color	Price Each		
							1	10	100
612-LP110A1TBSGG	LP110A1TBSGG	A	SPST	Tactile Feel	15mm sq.	GRN-GRN	11.70	10.44	9.00
612-LP110A1TBSRB	LP110A1TBSRB	A	SPST	Tactile Feel	15mm sq.	RED-BLU	11.70	10.44	9.00
612-LP110A1TBSRR	LP110A1TBSRR	A	SPST	Tactile Feel	15mm sq.	RED-RED	10.76	9.61	8.28

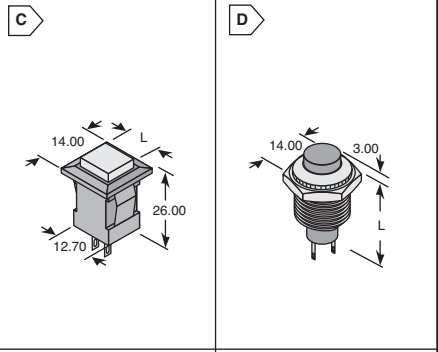


E-SWITCH™ PS SERIES MOMENTARY PUSHBUTTON SWITCHES



For quantities of 500 and up, call for quote.

MOUSER STOCK NO.	E-Switch Part No.	Fig.	Contact Form	Contact Rating	Cap/Body Dim. "L"	Cap Color	Price Each				
							1	10	50	100	250
612-PS1040A-RED	PS1040A-RED	B	SPST	3A	14mm	Red	2.22	2.00	1.70	1.33	1.26
612-PS1040A-BLK	PS1040A-BLK	B	SPST	3A	14mm	Black	2.22	2.00	1.70	1.33	1.26
612-PS1057A-RED	PS1057A-RED	C	SPST	1A	14mm	Red	1.62	1.46	1.24	.97	.92
612-PS1057A-BLK	PS1057A-BLK	C	SPST	1A	14mm	Black	1.62	1.46	1.24	.97	.92

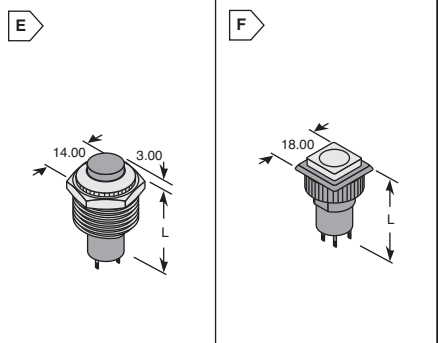


E-SWITCH™ RP SERIES PUSHBUTTON SWITCHES



For quantities of 500 and up, call for quote.

MOUSER STOCK NO.	E-Switch Part No.	Fig.	Contact Form	Contact Rating	Cap/Body Dim. "L"	Cap Color	Price Each				
							1	10	50	100	250
With Plastic Bushing											
612-RP3502A-BLK	RP3502A-BLK	D	SPST-NO	1A	17mm	Black	2.16	1.94	1.66	1.30	1.22
612-RP3502B-BLK	RP3502B-BLK	D	SPST-NC	1A	19.3mm	Black	2.24	2.02	1.71	1.34	1.27
612-RP3502A-RED	RP3502A-RED	D	SPST-NO	1A	17mm	Red	2.16	1.94	1.66	1.30	1.22
612-RP3502B-RED	RP3502B-RED	D	SPST-NC	1A	19.3mm	Red	2.31	2.09	1.77	1.39	1.31
With Metal Bushing											
612-RP3502MA-BLK	RP3502MA-BLK	E	SPST-NO	3A	17mm	Black	3.33	3.00	2.55	2.00	1.89
612-RP3502MB-BLK	RP3502MB-BLK	E	SPST-NC	3A	19.3mm	Black	3.60	3.24	2.76	2.16	2.04
612-RP3502MA-GRN	RP3502MA-GRN	E	SPST-NO	3A	17mm	Green	3.33	3.00	2.55	2.00	1.89
612-RP3502MB-GRN	RP3502MB-GRN	E	SPST-NC	3A	19.3mm	Green	3.60	3.24	2.76	2.16	2.04
612-RP3502MA-YEL	RP3502MA-YEL	E	SPST-NO	3A	17mm	Yellow	3.18	2.87	2.44	1.91	1.80
612-RP3502MB-YEL	RP3502MB-YEL	E	SPST-NC	3A	19.3mm	Yellow	3.60	3.24	2.76	2.16	2.04
612-RP3502MA-RED	RP3502MA-RED	E	SPST-NO	3A	17mm	Red	3.18	2.87	2.44	1.91	1.80
612-RP3502MB-RED	RP3502MB-RED	E	SPST-NC	3A	19.3mm	Red	3.60	3.24	2.76	2.16	2.04
With LED											
612-RP3508BL-RED	RP3508BL-RED	F	SPST	3A	20mm	Red	6.96	6.26	5.34	4.18	3.94
612-RP3508BL-GRN	RP3508BL-GRN	F	SPST	3A	20mm	Green	6.96	6.26	5.34	4.18	3.94
612-RP3508BL-YEL	RP3508BL-YEL	F	SPST	3A	20mm	Yellow	6.96	6.26	5.34	4.18	3.94



E-SWITCH™ PBH SERIES PUSHBUTTON SWITCHES



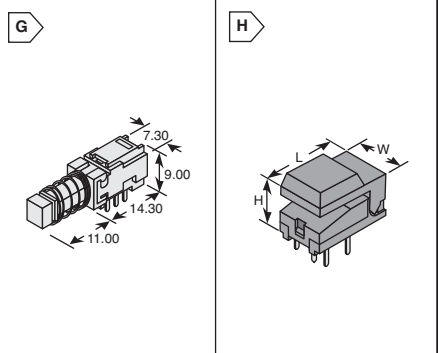
Specifications:

- Contact rating: 100mA @ 30VDC
- Contact material: Silver
- Timing: non-shorting
- PC mount

For quantities of 250 and up, call for quote.

MOUSER STOCK NO.	E-Switch Part No.	Fig.	Contact Form	Circuit Action	Cap Color	Price Each			
						1	10	50	100
612-PBH2UOANAGX	PBH2UOANAGX	G	DPDT	Momentary	---	1.09	.98	.84	.66
*612-PBH2UEENAGX	PBH2UEENAGX	G	DPDT	Latching	---	1.20	1.08	.92	.72
612-PBH2UEEK	PBH2UEEKZYNAG1RBLK	G	DPDT	Latching	Black	1.58	1.43	1.22	.95
*612-PBH4UEENAGX	PBH4UEENAGX	G	4PDT	Latching	---	1.38	1.24	1.06	.83
612-PBH2UOAK	PBH2UOAKZXSAGX	G	DPDT	Momentary	---	1.36	1.23	1.04	.81
612-PBH2UEENAGX	PBH2UEENAG1DWHHT	G	DPDT	Latching	White	1.38	1.23	1.05	.82
612-PBH6UEENAGX	PBH6UEENAG1DBLK	G	6PDT	Latching	Black	1.81	1.63	1.39	1.08
*612-PBH4UOANAGX	PBH4UOANAGX	G	4PDT	Momentary	---	1.25	1.13	.96	.75
612-PBH4UEEK	PBH4UEEKZYNAG1SBLK	G	4PDT	Latching	Black	1.76	1.57	1.34	1.05
*612-PBH6UEENAGX	PBH6UEENAGVX	G	6PDT	Latching	---	2.10	1.89	1.61	1.26

* Gold plated contacts



E-SWITCH™ 5500 AND 5511 SERIES PUSHBUTTON SWITCHES



Specifications:

- Contact rating: 12mA
- Contact resistance: <50m Ω
- Voltage rating: 24VDC
- Operating force: <200gf
- Contact material: gold plated copper alloy
- Contact form: SPDT

For quantities of 500 and up, call for quote.

MOUSER STOCK NO.	E-Switch Part No.	Fig.	Cap Style	Cap Color	LED(s)	Dimensions L x W x H	Price Each				
							1	10	50	100	250
5500 Series											
612-5501M1X	5501M1X	H	Small	Black	None	17.1 x 12.3 x 14.3	3.74	3.36	2.87	2.24	2.12
612-5501M2X	5501M2X	H	Small	Gray	None	17.1 x 12.3 x 14.3	3.74	3.36	2.87	2.24	2.12
612-5501M5X	5501M5X	H	Small	Red	None	17.1 x 12.3 x 14.3	3.74	3.36	2.87	2.24	2.12
612-5501M11	5501M11	I	Small	Black	Red	17.1 x 12.3 x 14.3	4.90	4.41	3.75	2.94	2.77
612-5501M12	5501M12	I	Small	Black	Green	17.1 x 12.3 x 14.3	5.10	4.59	3.91	3.06	2.89
612-5501M21	5501M21	I	Small	Gray	Red	17.1 x 12.3 x 14.3	5.10	4.59	3.91	3.06	2.89
612-5501M2-12	5501M2-1/2	J	Small	Gray	Red/Grn	17.1 x 12.3 x 14.3	5.84	5.26	4.48	3.51	3.31
5511 Series											
612-5511M4X	5511M4X	H	Large	Blue	None	17.1 x 17.3 x 14.3	3.74	3.36	2.87	2.24	2.12
612-5511M8X	5511M8X	H	Large	White	None	17.1 x 17.3 x 14.3	3.90	3.51	2.99	2.34	2.21
612-5511M11	5511M11	I	Large	Black	Red	17.1 x 17.3 x 14.3	5.10	4.59	3.91	3.06	2.89
612-5511M12	5511M12	I	Large	Black	Green	17.1 x 17.3 x 14.3	4.90	4.41	3.75	2.94	2.77
612-5511M51	5511M51	I	Large	Red	Red	17.1 x 17.3 x 14.3	5.30	4.77	4.06	3.18	3.00
612-5511M52	5511M52	I	Large	Red	Green	17.1 x 17.3 x 14.3	5.30	4.77	4.06	3.18	3.00
612-5511M81	5511M81	I	Large	White	Red	17.1 x 17.3 x 14.3	5.10	4.59	3.91	3.06	2.89
612-5511M82	5511M82	I	Large	White	Green	17.1 x 17.3 x 14.3	5.30	4.77	4.06	3.18	3.00
612-5511M2-12	5511M2-1/2	J	Large	Gray	Red/Grn	17.1 x 17.3 x 14.3	5.84	5.26	4.48	3.51	3.31

