

# C&K Pushbutton Switches



## C&K EP SERIES: SEALED TINY PUSHBUTTON SWITCHES

### Features:

- Epoxy sealed against solder & cleaning processes

### Specifications:

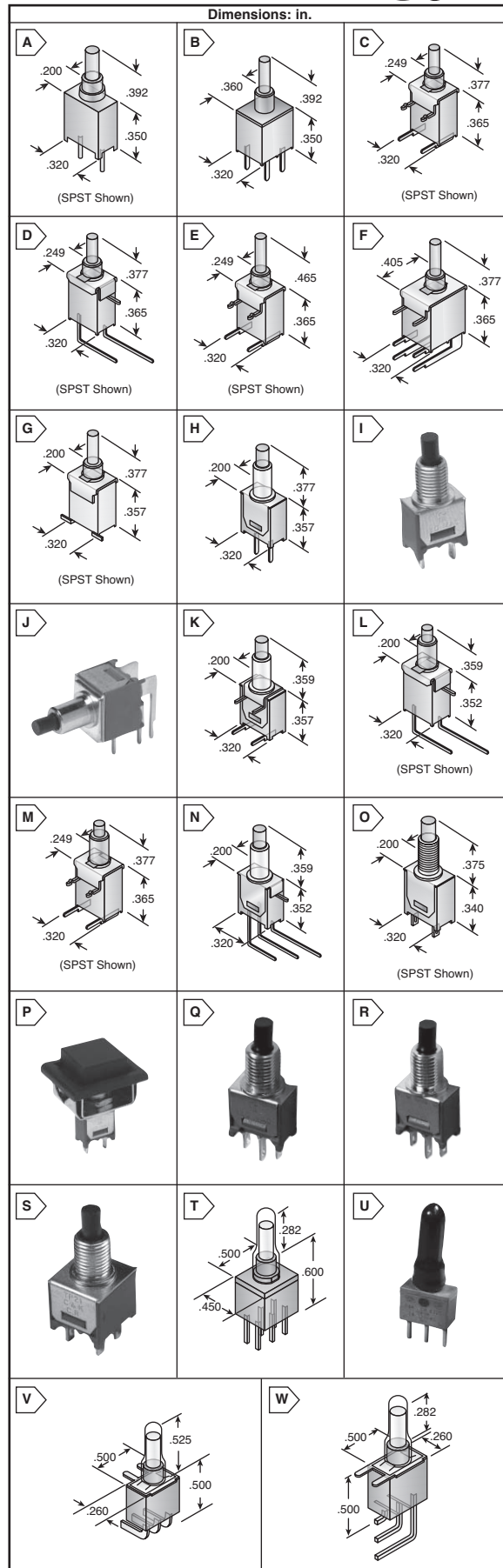
- Contact material: B - Cu alloy, w/ Au plate over Ni plate, Au plate terminal  
K - Are with SN/PB  
P - Cu alloy, w/ Au plate over Ni plate, matte tin plate terminal
- Contact rating: B & P - 0.4VA @ 20VAC or DC max.
- Plunger material: Thermoplastic polyester or glass filled nylon (UL 94V-0) with o-ring seal
- IP67 degree of protection

### Applications:

- Telecommunication equipment
- Computer peripherals
- Instrumentation

For quantities of 250 and up, call for quote.

MOUSER STOCK NO.	C&K Part No.	Fig.	Contact Form	Circuit ( ) = Momentary	Contact Material	Price Each			
						1	25	50	100
<b>PC Thru-Hole</b>									
611-EP11-003	EP11SD1CBE	A	SPST	(On)-Off	B	3.49	3.33	3.16	3.00
611-EP12-003	EP12SD1CBE	A	SPDT	(On)-On	B	4.54	4.33	4.12	3.91
611-EP21-003	EP21SD1CBE	B	DPST	(On)-Off	B	6.64	6.33	6.03	5.72
<b>Right-Angle PC Thru-Hole</b>									
611-EP11-001	EP11SD1ABE	C	SPST	(On)-Off	B	3.87	3.69	3.51	3.33
611-EP11-002	EP11SD1AVBE	D	SPST	(On)-Off	B	4.05	3.86	3.67	3.48
611-EP12-001	EP12SD1ABE	C	SPDT	(On)-On	B	4.81	4.51	4.33	3.97
611-EP12-011	EP12SD1AVBE	D	SPDT	(On)-On	B	5.10	4.86	4.63	4.39
611-EP11S2D1ABE	EP11S2D1ABE	E	SPST	Off-(On)	B	5.87	5.60	5.20	4.80
611-EP21-001	EP21SD1ABE	F	DPST	(On)-Off	B	7.36	7.02	6.67	6.33
<b>Right-Angle Surface Mount</b>									
611-EP11-004	EP11SD1SAKE	G	SPST	(On)-Off	K	4.59	4.37	4.16	3.95
611-EP11-004P	EP11SD1SAPE	G	SPST	(On)-Off	P	5.66	4.59	4.56	3.63



## C&K TP SERIES: TINY PUSHBUTTON SWITCHES

### Features:

- Subminiature size capable of switching up to 1A

### Specifications:

- Contact material: B - Cu alloy, w/ Au plate over Ni plate, Au plate terminal  
Q - Cu alloy, w/ Ag plate, Ag plate terminal
- Contact rating: B - 0.4VA @ 20VAC or DC max.  
Q - 1A @ 120VAC or 28VDC
- Plunger material: Thermoplastic polyester (UL 94V-0)

### Applications:

- Telecommunication equipment
- Computer peripherals
- Instrumentation

For quantities of 250 and up, call for quote.

MOUSER STOCK NO.	C&K Part No.	Fig.	Contact Form	Circuit ( ) = Momentary	Contact Material	Price Each			
						1	25	50	100
<b>PC Thru-Hole</b>									
611-TP11-005	TP11SH9CBE	H	SPST	(On)-Off	B	3.24	3.09	2.94	2.79
611-TP11LTCQE	TP11LTCQE	I	SPST	Off-(On)	Q	5.18	4.14	3.28	3.15
611-TP11SHCBE	TP11SHCBE	H	SPST	Off-(On)	B	4.53	3.62	2.86	2.26
611-TP11SHCQE	TP11SHCQE	H	SPST	Off-(On)	Q	4.49	3.59	3.05	3.01
611-TP12SHCBE	TP12SHCBE	H	SPDT	(On)-Off	B	6.12	4.89	4.86	4.48
611-TP21SH9CBE	TP21SH9CBE	J	DPST	Off-(On)	B	13.49	12.26	11.14	10.25
<b>Right-Angle PC Thru-Hole</b>									
611-TP11-006	TP11SH8ABE	K	SPST	(On)-Off	B	3.67	3.50	3.33	3.16
611-TP11-004	TP11SH9ABE	K	SPST	Off-(On)	B	5.12	4.09	3.88	3.76
611-TP12-007	TP12SH8AQE	K	SPDT	(On)-On	Q	4.79	4.56	4.34	4.12
611-TP11SH8AGE	TP11SH8AGE	K	SPST	(On)-Off	G	5.92	5.60	5.12	4.96
611-TP11SH8AQE	TP11SH8AQE	K	SPST	(On)-Off	Q	5.09	4.07	3.22	3.12
611-TP11SH8AVBE	TP11SH8AVBE	K	SPST	(On)-Off	B	5.12	4.09	3.24	3.13
611-TP11-009	TP11SH9AVBE	L	SPST	Off-(On)	B	3.67	3.50	3.33	3.16
611-TP12-009	TP12SH9AVBE	L	SPDT	(On)-On	B	7.36	6.97	6.58	6.20
611-TP12-006	TP12SH8ABE	M	SPDT	(On)-On	B	4.81	4.59	4.36	4.14
611-TP12-004	TP12SH9ABE	M	SPDT	(On)-On	B	4.81	4.59	4.36	4.14
611-TP12-008	TP12SH8AVBE	N	SPDT	(On)-On	B	4.81	4.59	4.36	4.14
611-TP21SH8ABE	TP21SH8ABE	J	DPST	Off-(On)	B	9.96	8.59	8.56	7.29
<b>Solder Lug</b>									
611-TP11-002	TP11SHZQE	O	SPST	Off-(On)	Q	2.61	2.44	2.33	2.20
611-TP11J81ZQE22	TP11J81ZQE22	P	SPST	Off-(On)	Q	5.68	4.54	3.59	3.33
611-TP11SHZBE	TP11SHZBE	O	SPST	Off-(On)	B	4.37	3.49	2.76	2.18
611-TP12-002	TP12SHZQE	Q	SPDT	Off-(On)	Q	5.93	4.74	3.75	2.96
611-TP12SHZBE	TP12SHZBE	R	SPDT	Off-(On)	B	6.47	5.91	5.40	5.12
611-TP21-002	TP21SHZQE	R	DPST	Off-(On)	Q	9.30	7.44	5.89	4.65
611-TP21SHZBE	TP21SHZBE	S	DPST	Off-(On)	B	9.50	7.45	7.12	6.75

## C&K E020 SERIES: SEALED SNAP-ACTING PUSHBUTTON SWITCHES

### Features:

- Sealed construction - internal o-ring & epoxy base

### Specifications:

- Contact material: B - Cu alloy, w/ Au plate over Ni plate, Au plate terminal  
G - Coin Ag, w/ Au plate over Ni plate, Au plate terminal  
B - 0.4VA @ 20VAC or DC max.  
G - 0.4VA @ 20VAC or DC max., or 1A @ 120VAC
- Vinyl splashproof boot supplied standard. Discard only after soldering and cleaning processes are complete

### Applications:

- Telecommunication equipment
- Computer peripherals
- Instrumentation

For quantities of 250 and up, call for quote.

MOUSER STOCK NO.	C&K Part No.	Fig.	Contact Form	Circuit ( ) = Momentary	Contact Material	Price Each			
						1	25	50	100
<b>PC Thru-Hole</b>									
611-E221-001	E221SD1CGE	T	DPDT	On-(On)	G	11.07	10.56	10.04	9.53
611-E121-001	E121SD1CGE	U	SPDT	On-(On)	G	9.91	7.92	6.27	4.95
<b>Right-Angle PC Thru-Hole</b>									
611-E121-002	E121SD1AGE	V	SPDT	On-(On)	G	7.31	6.97	6.63	6.29
611-E121-003	E121SD1AV2GE	W	SPDT	On-(On)	G	7.45	7.10	6.76	6.41
611-E125-004	E125SD1ABE	V	SPDT	On-(On)	B	5.21	4.97	4.73	4.48
611-E121SD1AV3GE	E121SD1AV3GE	W	SPDT	On-(On)	G	10.14	9.22	8.48	7.80

