

Encoders



14MM ROTARY OPTICAL ENCODER WITH SWITCH



RoHS Compliant

Features:

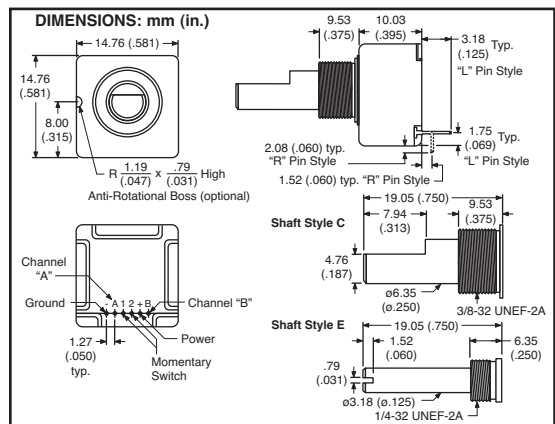
- Lead free
- HCMOS, CMOS and TTL compatible
- Compact package size
- High rotational cycle life
- Optional "soft touch" push switch
- Optional detent
- Splashproof shaft seal
- Recommended for human/machine interface applications (HMI)

Electrical Characteristics:

- Electrical output: 2-bit quadrature code
- Resolution: 8 - 64 pulses per revolution (PPR)
- Operating Temperature Range: -40°C to +70°C

Mechanical Characteristics:

- Rotational Life: Non-detent (@100RPM), 1,000,000 cycles With detent (@30RPM), 100,000 cycles



MOUSER STOCK NO.	Bourns Part No.	Shaft Type	Pulses /Rev.	Switch	Price Each					
					1	5	10	25	50	100
652-EM14A0D-C24-L08N	EM14A0D-C24-L008N	C	8	no	17.90	17.21	16.57	15.98	15.43	14.92
652-EM14A0D-C24-L32N	EM14A0D-C24-L032N	C	32	no	17.90	17.21	16.57	15.98	15.43	14.92
652-EM14A0D-C24-L64N	EM14A0D-C24-L064N	C	64	no	17.90	17.21	16.57	15.98	15.43	14.92
652-EM14C0D-E24-L16S	EM14C0D-E24-L016S	E	16	yes	27.29	24.49	17.69	17.05	16.47	15.92
652-EM14C0D-E24-L32S	EM14C0D-E24-L032S	E	32	yes	27.29	24.49	17.69	17.05	16.47	15.92
652-EM14C0D-E24-L64S	EM14C0D-E24-L064S	E	64	yes	27.29	24.49	17.69	17.05	16.47	15.92



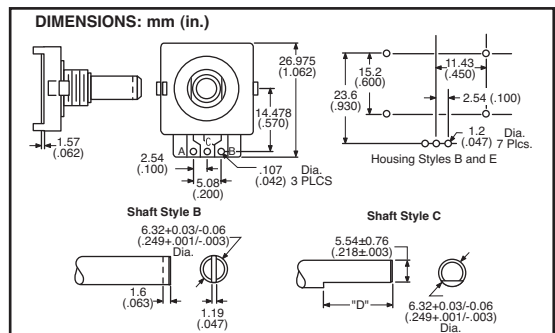
EC SERIES "SLIMLINE" 22MM DIGITAL ENCODER

Specifications:

- Rotational Life: 200k shaft revolutions
- 2 channel quadrature output signal
- Operating Temperature: +1°C to +85°C

Features:

- Space saving low profile design
- Plastic shaft and bushing
- FR4 element design
- Long operating life
- Optional detents



MOUSER STOCK NO.	Bourns Part No.	Shaft Type	Detents	Pulses /Rev.	Price Each					
					1	5	10	25	50	100
652-ECW0J-C24-BE0024	ECW0J-C24-BE0024	C	0	24	7.53	6.14	5.33	4.74	4.27	3.88
652-ECW0J-C24-BE0036	ECW0J-C24-BE0036	C	0	36	6.41	5.45	4.54	4.04	3.63	3.30
652-ECW0J-C24-BC0006	ECW0J-C24-BC0006	C	24	6	8.36	7.10	5.92	5.26	4.73	4.30
652-ECW1J-C24-BC0024	ECW1J-C24-BC0024	C	24	24	8.36	7.10	5.92	5.26	4.73	4.30
652-ECW0J-B24-BE0024	ECW0J-B24-BE0024	B	0	24	6.41	5.45	4.54	4.04	3.63	3.30
652-ECW0J-B24-BE0036	ECW0J-B24-BE0036	B	0	36	6.41	5.45	4.54	4.04	3.63	3.30
652-ECW0J-B24-BC0006	ECW0J-B24-BC0006	B	24	6	8.36	7.10	5.92	5.26	4.73	4.30
652-ECW1J-B24-BC0024	ECW1J-B24-BC0024	B	24	24	8.36	7.10	5.92	5.26	4.73	4.30



12MM INCREMENTAL ENCODER



RoHS Compliant

Specifications:

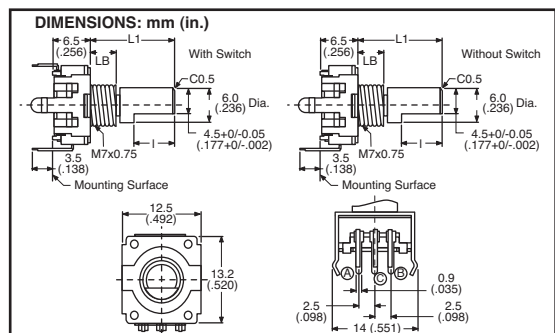
- Electrical Output: 2-bit gray code quadrature output
- Resolution: 12, 18 and 24 PPR (pulses per revolution)
- Temperature Rating: -30°C to +70°C
- Rotational Life: 30k cycles
- Switch Life: 20k cycles

Features:

- Metal shaft and bushing
- Mounting bracket
- Push switch option
- Compact, rugged design
- Switch travel, 0.5mm (.020")

Applications:

- Audio-visual equipment
- Consumer electric appliances
- Radios
- Musical instrumentation
- Communications equipment



MOUSER STOCK NO.	Bourns Part No.	Switch	Detents	Price Each					
				1	5	10	25	50	100
652-PEC11-4220F-N12	PEC11-4220F-N0012	No	24	1.50	1.35	.97	.85	.79	.75
652-PEC11-4125F-N18	PEC11-4125F-N0018	No	18	1.50	1.35	.97	.85	.79	.75
652-PEC11-4220F-N24	PEC11-4220F-N0024	No	24	1.50	1.35	.97	.85	.79	.75
652-PEC11-4220F-S12	PEC11-4220F-S0012	Yes	24	1.68	1.50	1.08	.95	.88	.84
652-PEC11-4125F-S18	PEC11-4125F-S0018	Yes	18	1.68	1.50	1.08	.95	.88	.84
652-PEC11-4225F-S24	PEC11-4225F-S0024	Yes	24	1.68	1.50	1.08	.95	.88	.84



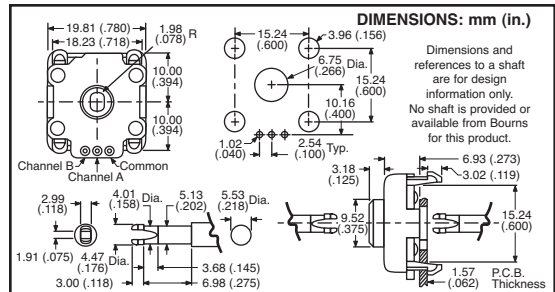
SHAFTLESS 20MM DIGITAL ENCODER

Specifications:

- Rotational Life: 30k cycles
- Electrical Output: 2-bit gray code quadrature output
- Operating Temperature: +1°C to +85°C

Features:

- Snap in bracket design
- FR4 element design
- Long operating life
- Optional detents



MOUSER STOCK NO.	Bourns Part No.	Detents	Pulses/ Rev.	Price Each					
				1	5	10	25	50	100
652-ESD0D-S00-GE0006	ESD0D-S00-GE0006	0	6	9.76	8.66	7.81	6.83	6.10	5.37
652-ESD0D-S00-GE0024	ESD0D-S00-GE0024	0	24	10.92	9.69	8.74	7.64	6.83	6.01
652-ESD0D-S00-GC0006	ESD0D-S00-GC0006	24	6	10.44	9.27	8.35	7.31	6.53	5.74

PIHER 11MM INCREMENTAL ENCODERS

Typical Application:

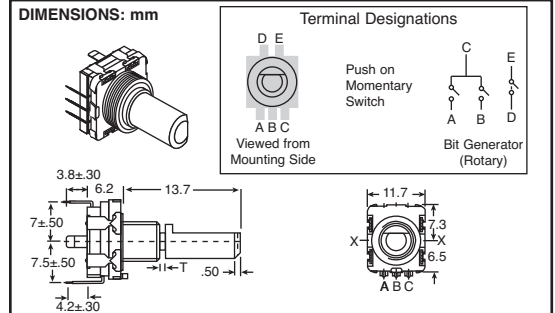
- Applications which require a single or multi-function rotary control interfaced with a digital electronic circuit.
- Consumer: Home appliances- washing machine/microwave oven timer & temperature programming controls, Hi-Fi, CD, Mini Disc and MP3 players, volume, tone, and title search controls.

Features:

- 2 bit in quadrature code
- Contact type
- Push-on switch (optional)
- Available with or without detents
- Compact design
- Threaded or plain bush options
- Available in vertical mount
- Endless rotation
- 15 or 20 pulses per rev.

Specifications:

- Operating Temperature: -40°C to +85°C
- Life (endless rotation): 20,000 cycles
- Rotational Torque: 0.3 to 2 Nm
- Push On Switch: 0.5 mm. travel
- Contact Resistance: 100mΩ Initial (Max)
- Pulses / Detents: 15/00, 15/30, 20/00, 0/20



MOUSER STOCK NO.	Pihier Part No.	Detent	Switch	Price Each			
				1	25	50	100
531-C111CTV	CI11-CT-V1Y22-LFACF	With	With	4.52	3.99	3.54	3.32
531-C111COV	CI11-C0-V1Y22-HF4CF	With	Without	3.98	3.51	3.11	2.92