

# Encoders



This product is RoHS compliant.

## ALPS RK097 SERIES: 9MM METAL SHAFT ENCODERS

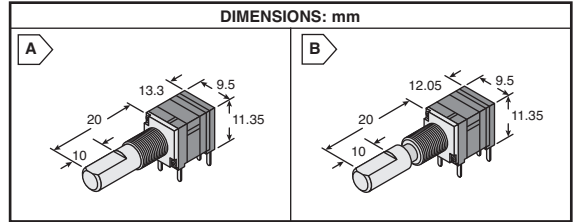
- Rating: 10mA @ 12 VDC
- Rotational life: 30,000 cycles
- Incremental type
- Detent torque: 10+/-8mN-m
- Applications include controls for AV devices, level controls for communication devices



RoHS Compliant

For quantities of 200 and up, call for quote.

MOUSER STOCK NO.	Alps Part No.	Fig.	Push-On Switch	Travel of Push-On Switch	Res.	No. of Detents	Price Each			
							1	25	50	100
688-RK09710ELC09	RK09710ELC09	A	With	0.5mm	9	18	6.48	5.55	4.63	4.16
688-RK09710ELC07	RK09710ELC07	A	With	0.5mm	15	30	6.48	5.55	4.63	4.16
688-RK09710ELC08	RK09710ELC08	B	With	1.5mm	15	30	6.69	5.73	4.78	4.30



## ROTARY ENCODERS

ALPHA

### RE701 Series: 7mm Metal Shaft Rotary Encoders

- Contact Resistance: 100Ω Max
- Rotational Life: 50,000 cycles

For quantities of 200 and up, call for quote.

MOUSER STOCK NO.	Alpha Part No.	Fig.	Rating	No. of Pulses	No. of Detents	Push-on Switch	Price Each			
							1	25	50	100
318-ENC70121F-10PS	RE701F-21B1-15F-10P-601	A	1mA/5VDC	10	20	Yes	4.40	3.67	3.34	3.04
318-ENC70120F-10P	RE701F-20B1-15F-10P-601	B	1mA/5VDC	10	20	No	3.83	3.19	2.90	2.64

### RE111 Series: 11mm Metal Shaft Rotary Encoders

- Rating: 10mA /5VDC (1mA Min.)
- Insulation Resistance: 300VDC 100MΩ min.

For quantities of 200 and up, call for quote.

MOUSER STOCK NO.	Alpha Part No.	Fig.	Rotational Torque	No. of Pulses	No. of Detents	Push-on Switch	Price Each			
							1	25	50	100
318-ENC111F-20P	RE111F-20B3-20F-20P	C	30~200gf.cm	20	20	No	2.59	2.16	1.96	1.78
318-ENC111F-20PS	RE111F-21B3-20F-20P	C	30~200gf.cm	20	20	Yes	4.36	3.63	3.30	3.00

### RE11 Series: 11mm Metal Shaft Rotary Encoders

- Rating: 10mA /5VDC (1mA Min.)
- Shaft Push-Pull Strength: 10kgf
- Contact Resistance: 100Ω Max.
- Rotational Life: 15,000 cycles
- \* Self-Return Type

For quantities of 200 and up, call for quote.

MOUSER STOCK NO.	Alpha Part No.	Fig.	Dim. (mm)		No. of Pulses	No. of Detents	Push-on Switch	Price Each			
			L	F				1	25	50	100
318-ENC1110F-15P	RE111LF-40B1N-10F-15P	D	10	3.7	15	30	No	2.71	2.26	2.05	1.86
318-ENC1112F-15PS	RE111LF-41B1N-12F-15P	D	12	5.0	15	30	Yes	3.16	2.63	2.39	2.17
*318-ENC1120F-15PS	RE111RF-41B3N-20F-0P	E	-	-	-	-	Yes	3.60	3.00	2.73	2.48

### RE130 Series: 12mm Insulated Shaft Rotary Encoders

- Insulation Resistance: 50VDC 10MΩ min
- Rotational Life: 30,000 cycles

For quantities of 200 and up, call for quote.

MOUSER STOCK NO.	Alpha Part No.	Fig.	Rating	No. of Pulses	No. of Detents	Push-on Switch	Price Each			
							1	25	50	100
318-ENC13020F-12P	RE130F-40-20F-12P	F	1mA/10VDC	12	12	No	1.88	1.57	1.43	1.30
318-ENC13015F-12P	RE130F-40E3-15F-12P-26	G	1mA/10VDC	12	12	No	2.29	1.91	1.74	1.40
318-ENC130175F-12PS	RE130F-41-175F-12P	H	1mA/10VDC	12	12	Yes	2.26	1.88	1.71	1.55

### RE160 Series: 16mm Insulated Shaft Rotary Encoder

- Insulation Resistance: 50VDC 10MΩ min
- Rotational Life: 50,000 cycles

For quantities of 200 and up, call for quote.

MOUSER STOCK NO.	Alpha Part No.	Fig.	Rating	No. of Pulses	No. of Detents	Push-on Switch	Price Each			
							1	25	50	100
318-ENC160F-24P	RE160F-40E3-20A-24P	I	0.5mA/5VDC	24	24	No	2.59	2.16	1.96	1.78

### RE170 Series: 17mm Gray Coded Rotary Encoder

- Insulation Resistance: 100VDC 100MΩ min
- Rotational Life: 10,000 cycles
- Rotational Torque: 200~500 gf.cm

For quantities of 200 and up, call for quote.

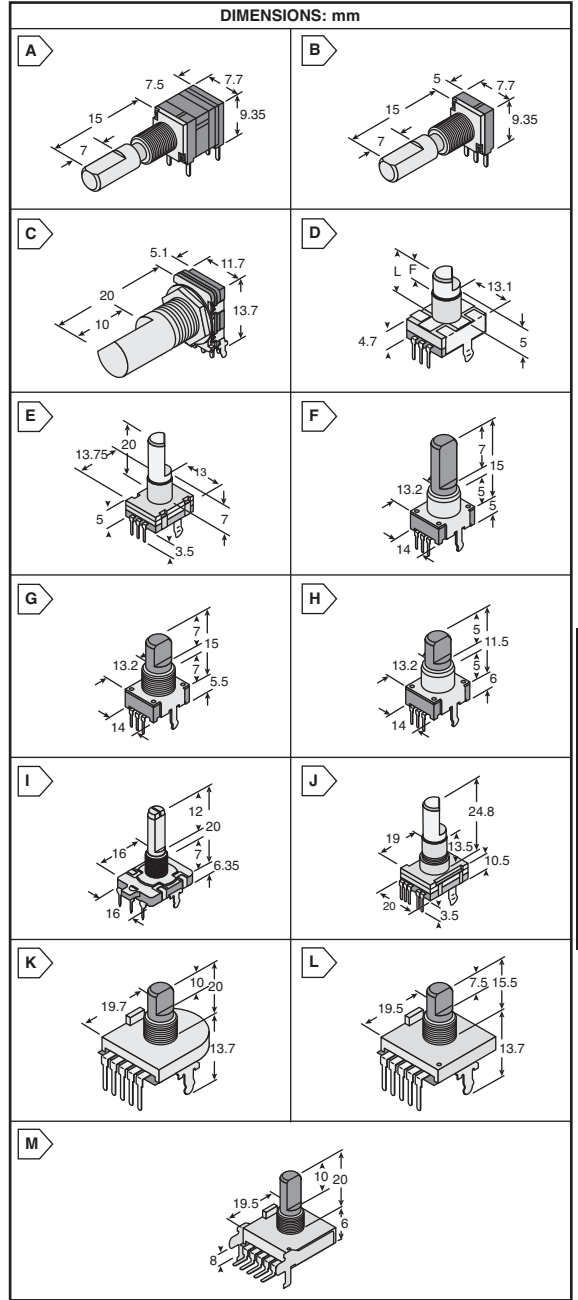
MOUSER STOCK NO.	Alpha Part No.	Fig.	Rating	No. of Detents	Push-on Switch	Price Each			
						1	25	50	100
318-ENC170248F-15	RE170F-40E3-248F-4G-15	J	0.1A/12VDC	15	No	3.38	2.82	2.56	2.33

### RE200 Series: 20mm Gray & Binary Coded Rotary Encoders

- Insulation Resistance: 100±10VDC 10MΩ min
- Rotational Torque: 50~350 gf.cm
- Rotational Life: 50,000±2500 cycles

For quantities of 200 and up, call for quote.

MOUSER STOCK NO.	Alpha Part No.	Fig.	Rating	No. of Detents	Output Code	Price Each			
						1	25	50	100
318-ENC200120F-4B	RE2001F-40E2-20F-4B	K	10mA/10VDC	16	Binary	4.40	3.67	3.34	3.04
318-ENC200155F-4G	RE200F-40E2-155F-4G	L	10mA/10VDC	16	Gray	4.40	3.67	3.34	3.04
318-ENC20020F-4B	RE200F-20E2-20F-4B	M	10mA/10VDC	16	Binary	4.40	3.67	3.34	3.04



## Mountain Switch ROTARY ENCODERS WITH CENTER PUSH SWITCH

### Electrical Specifications:

- Contact Rating: 1mA/10VDC
- Contact Resistance: Max. 300Ω (Initial)
- Insulation Resistance: Min. 100MΩ 100VDC



RoHS Compliant

For quantities of 500 and up, call for quote.

MOUSER STOCK NO.	No. of Pulses	No. of Detents	Operating Force		Holding Hooks	Price Each			
			Rotation	Push		1	25	50	100
101-115-6191-EV	12	24	50gf-cm (Max)	220±40 gf	3	4.72	3.93	3.58	3.25
101-115-6110-EV	12	24	50gf-cm (Max)	220±40 gf	6	4.72	3.93	3.58	3.25

