

ALPS Directional Switches

ALPS

ALPS 4-DIRECTIONAL SWITCHES WITH CENTER PUSH

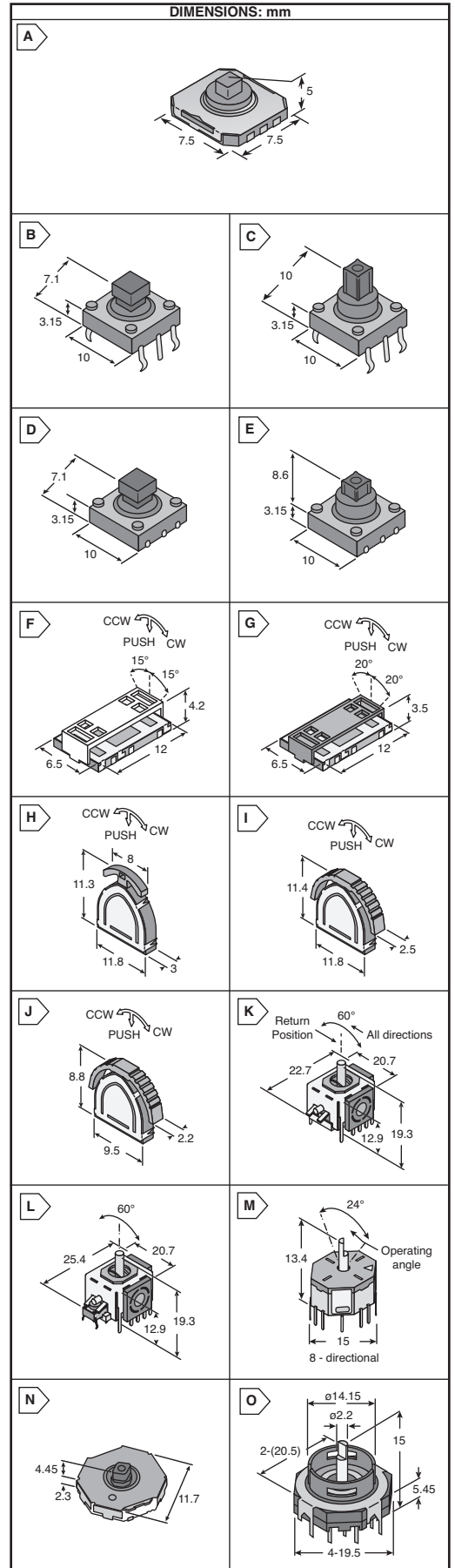
- Octagonal shape contributes to smaller mounting space
- Reflow solderable
- Tape and reel packaging
- Rating: 50mA @ 12VDC
- 4-directional/center push travel: 0.25 mm/0.15mm
- Portable audio devices
- Digital cameras and video cameras
- Cellular phones and PDA's



RoHS Compliant

For quantities of 1000 and up, call for quote.

MOUSER STOCK NO.	Alps Part No.	Fig.	Oper. Force Dir./Cntr Push	Guide Bosses	Operating Life	Price Each			
						1	25	100	500
688-SKRHAB	SKRHAB	A	1.23N/2.35N	Yes	200,000	4.98	3.86	3.49	2.87
688-SKRHAC	SKRHAC	A	1.2N/2.35N	No	1,000,000	5.38	3.77	3.10	2.42
688-SKRHAD	SKRHAD	A	1.2N/2.35N	Yes	1,000,000	5.38	3.77	3.10	2.42



ALPS 4-DIRECTIONAL SWITCHES WITH CENTER PUSH

- Reflow solderable
- Surface mount type on tape and reel packaging
- Rating: 50mA @ 12VDC
- Tactile feedback
- Operations of various multi-functional electronic equipment



RoHS Compliant

For quantities of greater than listed, call for quote.

MOUSER STOCK NO.	Alps Part No.	Fig.	Oper. Force Dir./Cntr Push	Travel Dir./Cntr Push	Operating Life (cycles)	Price Each			
						1	25	50	100
Snap-In Type									
688-SKQUAA	SKQUAA	B	1.57N/---	0.35mm/---	50,000	1.50	1.38	1.26	1.11
688-SKQUCA	SKQUCA	C	1.57N/3.14N	0.4mm/0.2mm	100,000	2.70	2.48	2.27	2.00
Surface Mount Type									
688-SKQUBA	SKQUBA	D	1.57N/---	0.35mm/---	50,000	1.87	1.72	1.57	1.38
688-SKQUDB	SKQUDB	E	1.57N/3.14N	0.4mm/0.2mm	100,000	3.12	2.87	2.62	2.31

ALPS VERTICAL TYPE LEVER AND PUSH OPERATION SWITCHES

- Compound, vertical switch allows both a semicircular lever control and a push control
- Reflow solderable
- Tape and reel packaging
- Rating: 10mA @ 5VDC
- Lever function operating force: 1N
- Push function operating force: 2.6N
- Operating life: 100,000 cycles
- For selecting menus of PDA's, mobile phones, laptop computers, and electronic organizers
- For selecting menus of remote controllers



RoHS Compliant

For quantities of 500 and up, call for quote.

MOUSER STOCK NO.	Alps Part No.	Fig.	Operating Angle	Mounting Height	Push Oper. Travel	Price Each			
						1	25	50	100
688-SLLQ110100	SLLQ110100	F	15°	4.2 mm	0.4 mm	2.91	2.67	2.44	2.15
688-SLLQ120100	SLLQ120100	G	20°	3.5 mm	0.4 mm	2.91	2.67	2.44	2.15

ALPS HORIZONTAL TYPE SEESAW AND PUSH OPERATION SWITCHES

- Single knob allows CW, CCW, and push operations
- Lever Color: Black except for SLLB120200 and SLLB220200 which are gray.
- Tape and reel packaging
- Rating: 10mA @ 5VDC
- Lever/Push function operating force: 0.65±0.3N/2±1N
- Operating life: 100,000 cycles
- For selecting menus of PDA's, mobile phones, laptop computers, and electronic organizers
- For selecting menus of remote controllers



RoHS Compliant

For quantities of greater than listed, call for quote.

MOUSER STOCK NO.	Alps Part No.	Fig.	Location Lug	Push-On Switch	Push Oper. Travel	Price Each			
						1	25	50	100
688-SLLB120100	SLLB120100	H	Yes	Yes	0.85 mm	2.70	2.48	2.27	2.00
688-SLLB120200	SLLB120200	I	Yes	Yes	0.85 mm	2.70	2.48	2.27	2.00
688-SLLB120300	SLLB120300	I	Yes	Yes	0.85 mm	2.70	2.48	2.27	2.00
688-SLLB220100	SLLB220100	H	Yes	No	0.85 mm	2.70	2.48	2.27	2.00
688-SLLB220200	SLLB220200	I	Yes	No	0.85 mm	2.49	2.29	2.10	1.85
688-SLLB510100	SLLB510100	J	Yes	No	0.7 mm	2.88	2.65	2.42	2.13
688-SLLB510200	SLLB510200	J	No	No	0.7 mm	2.88	2.65	2.42	2.13

ALPS STICK CONTROLLERS

- Ideal for fingertip operation
- Compact design
- Lever return mechanism
- Resistance taper: 0B
- Total resistance: 10KW
- Operating force: 5.2±2.6N
- Travel: 0.5mm
- Game and remote controllers

For quantities of 500 and up, call for quote.

MOUSER STOCK NO.	Alps Part No.	Fig.	Center Push	Potentiometer Rating	Center Push Rating	Price Each				
						1	25	50	100	200
688-RKJXK122000D	RKJXK122000D	K	No	0.0125W	50mA @ 12VDC	6.68	6.14	5.61	4.94	4.67
688-RKJXK122400Y	RKJXK122400Y	L	Yes	0.0125W	50mA @ 12VDC	7.13	6.56	5.99	5.27	4.99

ALPS 8-DIRECTIONAL SWITCH WITH CENTER PUSH

- Compact, low profile
- Uniform operating force in any direction
- Rating: 10mA @ 5VDC
- Operating life: RKJXL=100,000 cycles; RKJXS=500,000 cycles
- Controlling cursors in car navigation systems
- Control of office and AV equipment



RoHS Compliant

For quantities of 500 and up, call for quote.

MOUSER STOCK NO.	Alps Part No.	Fig.	Operating Force		Operating Angle (Lever)	Travel (Push)	Price Each				
			Direction	Center Push			1	25	50	100	200
688-RKJXL100401V	RKJXL100401V	M	10±7mN-m	4.5±1N	12±3°	0.2mm	5.34	4.92	4.49	3.95	3.74
688-RKJXS	RKJXS100401	N	0.8±0.5N	2.5±1.5N	7°	0.3mm	4.24	3.91	3.57	3.14	2.97

ALPS 8-DIRECTIONAL SWITCH AND ENCODER WITH CENTER PUSH

- 20mm biaxial unit w/ encoder (outer axis) and stick switch (inner axis)
- Stick switch with tactile feel in every direction
- Clicking mechanism of encoder for smooth rotational motion
- Rating: 10mA @ 5VDC
- Operating life (Switch/Encoder): 100,000 cycles/15,000 cycles
- Switch operating angle: "x" direction - 10° max.; "y" direction - 12° max
- Encoder resolution: 15 pulses, 15 detents
- Control sound, cursors, and switching modes in car audio and navigation systems
- Level controlling applications



RoHS Compliant

For quantities of 500 and up, call for quote.

MOUSER STOCK NO.	Alps Part No.	Fig.	Switch Operating Force		Detent Torque (Encoder)	Price Each				
			"x" Direction	"y" Direction		1	25	50	100	200
688-RKJXM2E12001	RKJXM2E12001	O	30±20mN-m	25±20mN-m	12±8mN-m	6.38	5.87	5.36	4.72	4.46