

ALPS Detection Switches

ALPS

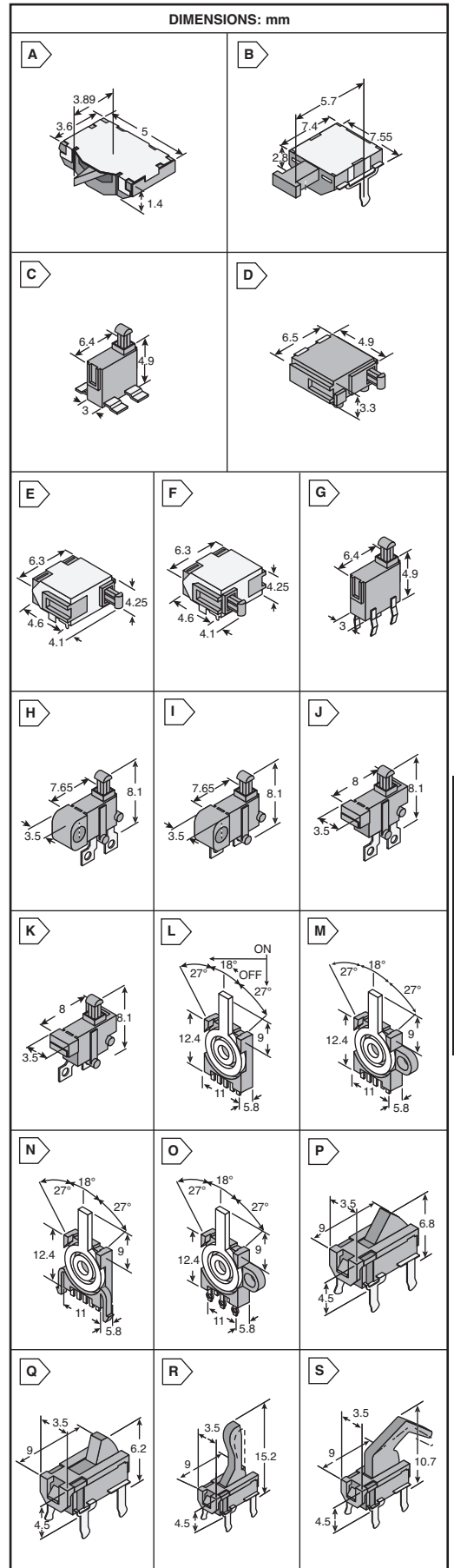
RoHS Compliant This product is RoHS compliant.

ALPS COMPACT TWO-WAY DETECTOR SWITCHES


- | | | | |
|---|---|--|---|
| Features: <ul style="list-style-type: none"> • Right and left detection • Double-sided sliding contact | Specifications: <ul style="list-style-type: none"> • Rating: 1mA @ 5 VDC • Operating force: 350 gf | Applications: <ul style="list-style-type: none"> • For switching modes and zoom operation of cameras • Detection mechanism in DVD players, digital camcorders | 
RoHS Compliant |
|---|---|--|---|

For quantities of 4500 and up, call for quote.

MOUSER STOCK NO.	Alps Part No.	Fig.	ON Start Position	Location Lug	Price Each				Pkg. Qty.	Pkg. Qty. Price Each
					1	50	100	500		
688-SSCM110100	SSCM110100	A	3.58mm	With	1.27	1.09	.91	.82	3000	.56
688-SSCM120100	SSCM120100	A	3.58mm	Without	1.27	1.09	.91	.82	3000	.56



ALPS LOW-PROFILE DETECTOR SWITCHES

- | | | | |
|---|--|--|---|
| Features: <ul style="list-style-type: none"> • Circuit: 1 pole 1 position | Specifications: <ul style="list-style-type: none"> • Rating: 10mA @ 16VDC • Operating force: 85gf • ON/OFF Start Position: 5.4mm | Applications: <ul style="list-style-type: none"> • Detection mechanism in car navigation systems and car audio systems | 
RoHS Compliant |
|---|--|--|---|

For quantities of 5000 and up, call for quote.

MOUSER STOCK NO.	Alps Part No.	Fig.	Total Travel Position	Circuit Arrangement	Price Each			
					1	50	100	500
688-SPVC110300	SPVC110300	B	2.0 mm	Push ON	.87	.64	.58	.44
688-SPVC110100	SPVC110100	B	2.0 mm	Push OFF	.87	.64	.58	.44

ALPS COMPACT LONG LIFE DETECTOR SWITCHES

- | | | | |
|--|---|--|---|
| Features: <ul style="list-style-type: none"> • SMD types are reflow solderable, on tape and reel | Specifications: <ul style="list-style-type: none"> • Rating: 100mA @ 12VDC • Operating force: 35gf | Applications: <ul style="list-style-type: none"> • Detection of insertion of media such as DVDs, CDs | 
RoHS Compliant |
|--|---|--|---|

For quantities greater than listed, call for quote.

MOUSER STOCK NO.	Alps Part No.	Fig.	ON Starting Position	Total Travel Position	Price Each				Reel Qty.	Reel Qty. Price Each
					1	50	100	500		
SMD Mount - Vertical Operating Direction										
688-SPPB530601	SPPB530601	C	8.05 mm	6.10 mm	.67	.57	.52	.36	1500	.29
SMD Mount - Horizontal Operating Direction										
688-SPPB530701	SPPB530701	D	8.05 mm	6.10 mm	.67	.57	.53	.51	1500	.47
688-SPPB630101	SPPB630101	E	3.70 mm	1.70 mm	.67	.57	.52	.46	1300	.44
688-SPPB640201	SPPB640201	F	3.70 mm	1.70 mm	.67	.57	.52	.48	1300	.36
PCB Mount - Vertical Operating Direction										
688-SPPB512300	SPPB512300	G	8.05 mm	6.10 mm	.67	.57	.52	.36	4000	.29
Solder Mount - Horizontal Operating Direction										
688-SPPB110300	SPPB110300	H	8.25 mm	6.25 mm	.67	.57	.52	.36	5000	.29
688-SPPB120200	SPPB120200	I	6.55 mm	4.60 mm	.67	.57	.52	.36	5000	.29
688-SPPB310400	SPPB310400	J	8.25 mm	6.25 mm	.67	.57	.52	.36	5000	.29
688-SPPB320100	SPPB320100	K	8.25 mm	6.25 mm	.67	.57	.52	.36	5000	.29


ALPS TWO-WAY DETECTOR SWITCHES

- | | | | |
|--|--|--|---|
| Features: <ul style="list-style-type: none"> • Long ON travel • Detection in both right & left directions | Specifications: <ul style="list-style-type: none"> • Rating: 100mA @ 12VDC • Operating force: 70 gf | Applications: <ul style="list-style-type: none"> • Detection of trays in DVD players, CD-ROM drives, photo copiers, etc. | 
RoHS Compliant |
|--|--|--|---|

For quantities of 2500 and up, call for quote.

MOUSER STOCK NO.	Alps Part No.	Fig.	Mounting Style	Terminal Style	Price Each			
					1	50	100	500
688-SSCF110100	SSCF110100	L	PCB	Snap-in	1.05	.95	.85	.76
688-SSCF210100	SSCF210100	M	Screw	Snap-in	1.05	.95	.85	.76
688-SSCF310100	SSCF310100	N	PCB w/ hook	Snap-in	1.05	.95	.85	.76
688-SSCF210300	SSCF210300	O	Screw	Solder/leads	1.05	.95	.85	.76

ALPS TWO-WAY DETECTOR SWITCHES

- | | | | |
|---|--|--|---|
| Features: <ul style="list-style-type: none"> • Can be pressed either horizontally or vertically for detection | Specifications: <ul style="list-style-type: none"> • Rating: 100mA @ 12VDC • Operating force: 30.6 gf | Applications: <ul style="list-style-type: none"> • Detection of trays in DVD players, CD-ROM drives, photo copiers, etc. | 
RoHS Compliant |
|---|--|--|---|

For quantities of 4000 and up, call for quote.

MOUSER STOCK NO.	Alps Part No.	Fig.	ON Starting Position	Total Travel Position	Price Each			
					1	50	100	500
688-SPVF110100	SPVF110100	P	6.30mm	4.70 mm	.61	.45	.41	.31
688-SPVF120100	SPVF120100	Q	5.75mm	4.70 mm	.61	.45	.41	.31
688-SPVF130100	SPVF130100	R	2.60mm	5.70 mm	.61	.45	.41	.31
688-SPVF140100	SPVF140100	S	9.95mm	7.80 mm	.61	.45	.41	.31