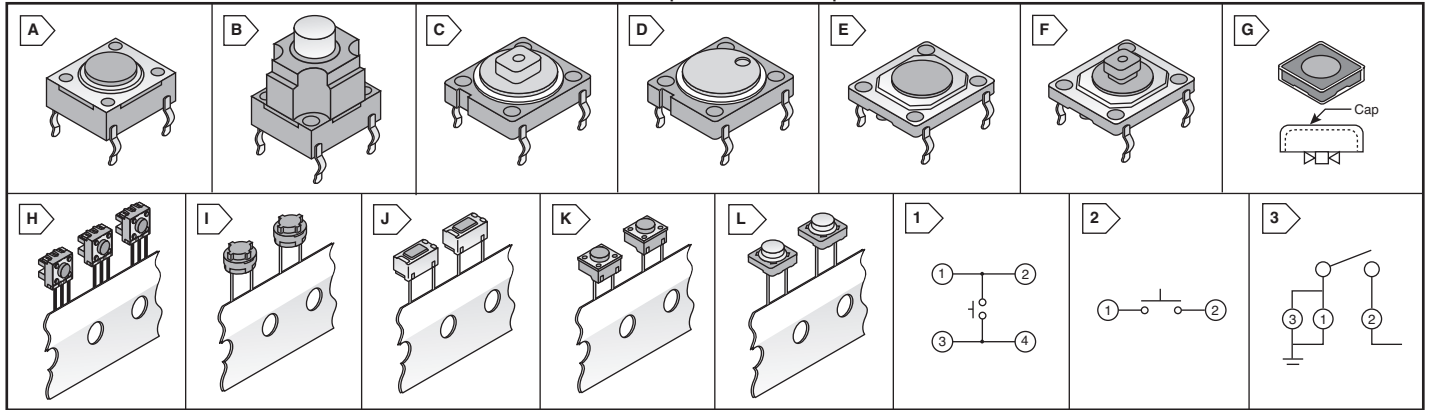


# ALPS Tactile Switches and Caps

# ALPS

 This product is RoHS compliant.



## ALPS SNAP-IN SHARP FEELING TYPE TACTILE SWITCHES (CONT.)



\* Contact rating: 50mA @ 12VDC max.

RoHS Compliant

For quantities of 2000 and up, call for a quote.

| MOUSER STOCK NO. | Alps Part No. | Fig. | Dim.: mm |      |      | Operating Force | Travel (mm) | Operating Life | Features                               | Price Each |     |     |     |      |
|------------------|---------------|------|----------|------|------|-----------------|-------------|----------------|--|------------|-----|-----|-----|------|
|                  |               |      | L        | W    | H    |                 |             |                |  | 1          | 50  | 100 | 500 | 1000 |
| 688-SKQBAP       | SKQBAP        | B1   | 10.0     | 10.0 | 13.0 | 160 g           | 0.3         | 100,000        | Waterproof, Dust proof, Dark gray stem | 1.06       | .82 | .74 | .61 | .48  |
| 688-SKQBAJ       | SKQBAJ        | B1   | 10.0     | 10.0 | 13.0 | 260 g           | 0.3         | 100,000        | Waterproof, Dust proof, Red stem       | 1.06       | .82 | .74 | .61 | .48  |
| 688-SKHCBFA010   | SKHCBFA010    | D1   | 12.0     | 12.0 | 4.3  | 130 g           | 0.3         | 1,000,000      | Flat stem, Black                       | .33        | .28 | .22 | .19 | .18  |
| 688-SKQEAB       | SKQEAB        | E1   | 12.0     | 12.0 | 4.3  | 160 g           | 0.3         | 10,000,000     | Dust proof, Dark gray flat stem        | 1.13       | .88 | .79 | .65 | .51  |
| 688-SKQEAD       | SKQEAD        | E1   | 12.0     | 12.0 | 4.3  | 260 g           | 0.3         | 10,000,000     | Dust proof, Red flat stem              | 1.13       | .88 | .79 | .65 | .51  |
| 688-SKQEAA       | SKQEAA        | F1   | 12.0     | 12.0 | 7.6  | 160 g           | 0.3         | 10,000,000     | Dust proof, Dark gray joint stem       | 1.13       | .88 | .79 | .65 | .51  |
| 688-SKQEAC       | SKQEAC        | F1   | 12.0     | 12.0 | 7.6  | 260 g           | 0.3         | 10,000,000     | Dust proof, Red joint stem             | 1.13       | .88 | .79 | .65 | .51  |

## ALPS CAPS AND KEYTOPS



\* Contact rating: 50mA @ 12VDC max.

RoHS Compliant

For quantities of 2000 and up, call for a quote.

| MOUSER STOCK NO. | Alps Part No. | Fig. | Dimensions: mm |      |     | Features                                     | Price Each |     |     |     |      |
|------------------|---------------|------|----------------|------|-----|--|------------|-----|-----|-----|------|
|                  |               |      | L              | W    | H   |  | 1          | 50  | 100 | 500 | 1000 |
| 688-SK2AA00010   | SK2AA00010    | G    | 10.0           | 10.0 | 3.0 | Red keytop for joint stem type SKHC, SKQE    | .42        | .38 | .35 | .31 | .29  |
| 688-SK2AA00020   | SK2AA00020    | G    | 10.0           | 10.0 | 3.0 | Blue keytop for joint stem type SKHC, SKQE   | .42        | .38 | .35 | .31 | .29  |
| 688-SK2AA00030   | SK2AA00030    | G    | 10.0           | 10.0 | 3.0 | Ivory keytop for joint stem type SKHC, SKQE  | .42        | .38 | .35 | .31 | .29  |
| 688-SK2AA00040   | SK2AA00040    | G    | 10.0           | 10.0 | 3.0 | Black keytop for joint stem type SKHC, SKQE  | .42        | .38 | .35 | .31 | .29  |
| 688-SK2AA00050   | SK2AA00050    | G    | 10.0           | 10.0 | 3.0 | Yellow keytop for joint stem type SKHC, SKQE | .42        | .38 | .35 | .31 | .29  |

## ALPS SNAP-IN RADIAL TYPE TACTILE SWITCHES ON TAPE AND REEL



RoHS Compliant

\* Contact rating: 50mA @ 12VDC max.

For quantities greater than listed, call for a quote.

| MOUSER STOCK NO. | Alps Part No. | Fig. | Dim.: mm |     |     | Operating Force | Travel (mm) | Operating Life | Features                      | Price Each |     |     |     | Reel Qty. Price Each |     |
|------------------|---------------|------|----------|-----|-----|-----------------|-------------|----------------|-------------------------------|------------|-----|-----|-----|----------------------|-----|
|                  |               |      | L        | W   | H   |                 |             |                |                               | 1          | 50  | 100 | 500 |                      |     |
| 688-SKQNAA       | SKQNAA        | H3   | ø6       | --- | 4.3 | 100 g           | 0.25        | 500,000        | Sharp feeling, Black stem     | .26        | .20 | .18 | .15 | 2,000                | .11 |
| 688-SKQNAC       | SKQNAC        | H3   | ø6       | --- | 4.3 | 260 g           | 0.25        | 200,000        | Sharp feeling, Gray stem      | .26        | .20 | .18 | .15 | 2,000                | .11 |
| 688-SKQNAJ       | SKQNAJ        | H3   | ø6       | --- | 5   | 100 g           | 0.25        | 500,000        | Sharp feeling, Black stem     | .26        | .20 | .18 | .15 | 2,000                | .11 |
| 688-SKQNAE       | SKQNAE        | H3   | ø6       | --- | 5   | 160 g           | 0.25        | 500,000        | Sharp feeling, White stem     | .26        | .20 | .18 | .15 | 2,000                | .11 |
| 688-SKQNAF       | SKQNAF        | H3   | ø6       | --- | 5   | 260 g           | 0.25        | 200,000        | Sharp feeling, Gray stem      | .26        | .20 | .18 | .15 | 2,000                | .11 |
| 688-SKRGALD010   | SKRGALD010    | H3   | ø6       | --- | 7   | 100 g           | 0.25        | 500,000        | Sharp feeling, Black stem     | .26        | .20 | .18 | .15 | 2,000                | .10 |
| 688-SKQNAJ       | SKQNAJ        | H3   | ø6       | --- | 7   | 160 g           | 0.25        | 500,000        | Sharp feeling, White stem     | .26        | .20 | .18 | .15 | 2,000                | .11 |
| 688-SKQNAK       | SKQNAK        | H3   | ø6       | --- | 7   | 260 g           | 0.25        | 200,000        | Sharp feeling, Gray stem      | .26        | .20 | .18 | .15 | 2,000                | .11 |
| 688-SKQNAL       | SKQNAL        | H3   | ø6       | --- | 9.5 | 100 g           | 0.25        | 500,000        | Sharp feeling, Black stem     | .26        | .20 | .18 | .15 | 2,000                | .11 |
| 688-SKQNAM       | SKQNAM        | H3   | ø6       | --- | 9.5 | 160 g           | 0.25        | 500,000        | Sharp feeling, White stem     | .26        | .20 | .18 | .15 | 2,000                | .11 |
| 688-SKQNaN       | SKQNaN        | H3   | ø6       | --- | 9.5 | 260 g           | 0.25        | 200,000        | Sharp feeling, Gray stem      | .26        | .20 | .18 | .15 | 2,000                | .11 |
| 688-SKPLAK       | SKPLAK        | I2   | ø6.45    | --- | 5   | 200 g           | 1.3         | 100,000        | Soft feeling, Green stem      | .76        | .59 | .53 | .44 | 2,700                | .32 |
| 688-SKPLAF       | SKPLAF        | I2   | ø6.45    | --- | 5   | 250 g           | 1.3         | 100,000        | Soft feeling, Yellow stem     | .76        | .59 | .53 | .44 | 2,700                | .32 |
| 688-SKQCAB       | SKQCAB        | J2   | 6.0      | 3.5 | 4.3 | 160 g           | 0.25        | 50,000         | Sharp feeling, Dark gray stem | .49        | .38 | .34 | .28 | 1,500                | .20 |
| 688-SKQCAC       | SKQCAC        | J2   | 6.0      | 3.5 | 4.3 | 260 g           | 0.25        | 30,000         | Sharp feeling, Red stem       | .49        | .38 | .34 | .28 | 1,500                | .20 |
| 688-SKQCAD       | SKQCAD        | J2   | 6.0      | 3.5 | 5   | 100 g           | 0.25        | 50,000         | Sharp feeling, Black stem     | .49        | .38 | .34 | .28 | 1,500                | .20 |
| 688-SKQCAE       | SKQCAE        | J2   | 6.0      | 3.5 | 5   | 160 g           | 0.25        | 50,000         | Sharp feeling, Dark gray stem | .49        | .38 | .34 | .28 | 1,500                | .20 |
| 688-SKQCAF       | SKQCAF        | J2   | 6.0      | 3.5 | 5   | 260 g           | 0.25        | 30,000         | Sharp feeling, Red stem       | .49        | .38 | .34 | .28 | 1,500                | .20 |
| 688-SKHVBA       | SKHVBA        | K2   | 6.0      | 6.0 | 4.3 | 100 g           | 0.25        | 1,000,000      | Sharp feeling, Black stem     | .28        | .22 | .20 | .16 | 1,000                | .13 |
| 688-SKHVBC       | SKHVBC        | K2   | 6.0      | 6.0 | 4.3 | 260 g           | 0.25        | 200,000        | Sharp feeling, Red stem       | .28        | .22 | .20 | .16 | 1,000                | .13 |
| 688-SKHVBD       | SKHVBD        | K2   | 6.0      | 6.0 | 5   | 100 g           | 0.25        | 1,000,000      | Sharp feeling, Black stem     | .28        | .22 | .20 | .16 | 1,000                | .13 |
| 688-SKHVBE       | SKHVBE        | K2   | 6.0      | 6.0 | 5   | 160 g           | 0.25        | 500,000        | Sharp feeling, Dark gray stem | .28        | .22 | .20 | .16 | 1,000                | .13 |
| 688-SKHVBF       | SKHVBF        | K2   | 6.0      | 6.0 | 5   | 260 g           | 0.25        | 200,000        | Sharp feeling, Red stem       | .28        | .22 | .20 | .16 | 1,000                | .13 |
| 688-SKHVBK       | SKHVBK        | K2   | 6.0      | 6.0 | 7   | 100 g           | 0.25        | 1,000,000      | Sharp feeling, Black stem     | .28        | .22 | .20 | .16 | 1,000                | .13 |
| 688-SKHVBL       | SKHVBL        | K2   | 6.0      | 6.0 | 7   | 160 g           | 0.25        | 500,000        | Sharp feeling, Dark gray stem | .28        | .22 | .20 | .16 | 1,000                | .13 |
| 688-SKHVBM       | SKHVBM        | K2   | 6.0      | 6.0 | 7   | 260 g           | 0.25        | 200,000        | Sharp feeling, Red stem       | .28        | .22 | .20 | .16 | 1,000                | .13 |
| 688-SKHVBG       | SKHVBG        | K2   | 6.0      | 6.0 | 9.5 | 100 g           | 0.25        | 1,000,000      | Sharp feeling, Black stem     | .28        | .22 | .20 | .16 | 1,000                | .13 |
| 688-SKHVBH       | SKHVBH        | K2   | 6.0      | 6.0 | 9.5 | 160 g           | 0.25        | 500,000        | Sharp feeling, Dark gray stem | .28        | .22 | .20 | .16 | 1,000                | .13 |
| 688-SKHVBJ       | SKHVBJ        | K2   | 6.0      | 6.0 | 9.5 | 260 g           | 0.25        | 200,000        | Sharp feeling, Red stem       | .28        | .22 | .20 | .16 | 1,000                | .13 |
| 688-SKPDAL       | SKPDAL        | L2   | 7.8      | 7.8 | 5   | 80 g            | 1.0         | 500,000        | Soft feeling, Light gray stem | .46        | .36 | .32 | .27 | 800                  | .21 |
| 688-SKPDAM       | SKPDAM        | L2   | 7.8      | 7.8 | 5   | 120 g           | 1.0         | 500,000        | Soft feeling, Light blue stem | .46        | .36 | .32 | .27 | 800                  | .21 |
| 688-SKPDAC       | SKPDAC        | L2   | 7.8      | 7.8 | 5.5 | 250 g           | 1.2         | 100,000        | Soft feeling, Blue stem       | .56        | .44 | .39 | .32 | 800                  | .25 |