

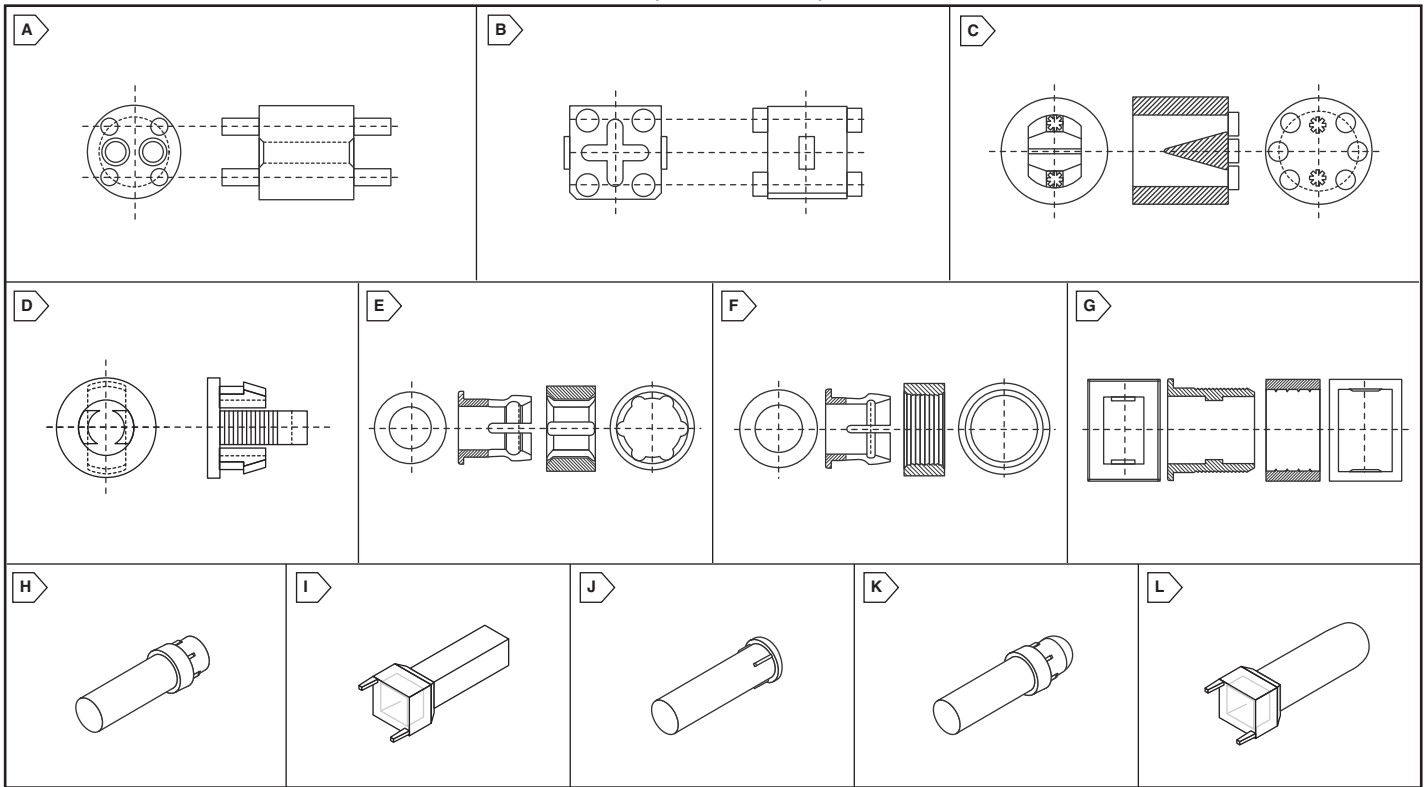
BIVAR LED Mounts and Light Pipes



RoHS Compliant This product is RoHS compliant.

Illumination

Bivar



BIVAR LED MOUNTING HARDWARE

For quantities of 1000 and up, call for quote.

MOUSER STOCK NO.	Bivar Part No.	Fig.	Dia.	Pin Spacing	Overall Height	Price Each			
						1	10	100	500
Natural Nylon - Round									
749-450-050	450-050	A	0.25	0.1	0.05	.30	.22	.168	.135
749-450-060	450-060	A	0.25	0.1	0.06	.30	.22	.168	.135
749-450-070	450-070	A	0.25	0.1	0.07	.30	.22	.168	.135
749-450-100	450-100	A	0.25	0.1	0.1	.30	.22	.168	.135
749-450-120	450-120	A	0.25	0.1	0.12	.30	.22	.168	.135
749-450-150	450-150	A	0.25	0.1	0.15	.30	.22	.168	.135
749-450-180	450-180	A	0.25	0.1	0.18	.30	.22	.168	.135
749-450-200	450-200	A	0.25	0.1	0.2	.30	.22	.168	.135
749-455-220	455-220	A	0.25	0.1	0.22	.30	.22	.168	.135
749-455-250	455-250	A	0.25	0.1	0.25	.30	.22	.168	.135
749-455-300	455-300	A	0.25	0.1	0.3	.30	.22	.168	.135
749-455-350	455-350	A	0.25	0.1	0.35	.30	.22	.168	.135
749-456-500	456-500	A	0.25	0.1	0.5	.31	.23	.174	.139
Natural Nylon - Square									
749-460-060	460-060	B	0.18 sq	0.1	0.06	.30	.22	.168	.135
749-460-100	460-100	B	0.18 sq	0.1	0.1	.30	.22	.168	.135
749-460-110	460-110	B	0.18 sq	0.1	0.11	.30	.22	.168	.135
749-460-120	460-120	B	0.18 sq	0.1	0.12	.30	.22	.168	.135
749-460-150	460-150	B	0.18 sq	0.1	0.15	.30	.22	.168	.135
749-460-200	460-200	B	0.18 sq	0.1	0.2	.30	.22	.168	.135
749-461-380	461-380	B	0.18 sq	0.1	0.38	.31	.23	.174	.139
749-465-250	465-250	B	0.18 sq	0.1	0.25	.31	.23	.174	.139
749-465-350	465-350	B	0.18 sq	0.1	0.35	.31	.23	.174	.139
Black Nylon									
749-LTM-120	LTM-120	C	0.2	0.1	0.12	.22	.17	.12	.097
749-LTM-150	LTM-150	C	0.2	0.1	0.15	.22	.17	.11	.081
749-LTM-160	LTM-160	C	0.2	0.1	0.16	.22	.17	.12	.097
749-LTM-200	LTM-200	C	0.2	0.1	0.2	.22	.17	.11	.081
749-LTM-250	LTM-250	C	0.2	0.1	0.25	.23	.17	.13	.10
749-LTM-300	LTM-300	C	0.2	0.1	0.3	.23	.17	.13	.10
749-LTM-350	LTM-350	C	0.2	0.1	0.35	.23	.17	.13	.10
749-LTM-400	LTM-400	C	0.2	0.1	0.4	.24	.18	.12	.089
749-LTM-450	LTM-450	C	0.2	0.1	0.45	.24	.18	.12	.089
749-LTM-500	LTM-500	C	0.2	0.1	0.5	.26	.20	.14	.115
749-LTM-550	LTM-550	C	0.2	0.1	0.55	.26	.20	.14	.115
749-LTM-750	LTM-750	C	0.2	0.1	0.75	.30	.23	.17	.133

BIVAR LED PANEL CLIPS

For quantities of 1000 and up, call for quote.

MOUSER STOCK NO.	Bivar Part No.	Fig.	Color	Size	Desc.	Price Each			
						1	10	100	500
749-C-103-SR	C-103-SR	D	Black	T1	1 Piece	.36	.27	.20	.16
749-CR-104	CR-104	E	Black	T1	2 Piece	.26	.20	.144	.115
749-C-105-SR	C-105-SR	D	Black	T1-3/4	1 Piece	.36	.27	.20	.16
749-CR-174	CR-174	E	Black	T1-3/4	2 Piece	.26	.20	.144	.115
749-CR-174L	CR-174L	E	Black	T1-3/4	2 Piece	.30	.23	.166	.133
749-CR-175	CR-175	F	Black	T1-3/4	2 Piece	.26	.20	.144	.115
749-CR-300	CR-300	G	Black	RWXD	2 Piece	.38	.32	.30	.28

BIVAR RIGID LIGHT ROPES

For quantities of 1000 and up, call for quote.

MOUSER STOCK NO.	Bivar Part No.	Fig.	Dia.	Color	Height	Price Each			
						1	10	100	500
Flat Face									
749-PLP1-125-F	PLP1-125-F	H	0.118	Clear	0.125	.73	.41	.29	.25
749-PLP1-250-F	PLP1-250-F	H	0.118	Clear	0.25	.73	.41	.29	.25
749-PLP1-350-F	PLP1-350-F	H	0.118	Clear	0.35	.73	.41	.29	.25
749-PLP1-500-F	PLP1-500-F	H	0.118	Clear	0.5	.73	.41	.29	.25
749-PLP1-750-F	PLP1-750-F	H	0.118	Clear	0.75	.73	.41	.29	.25
Flat Face - Vertical									
749-VLP-250-F	VLP-250-F	I	0.118	Clear	0.25	.26	.20	.14	.115
749-VLP-350-F	VLP-350-F	I	0.118	Clear	0.35	.28	.21	.16	.124
749-VLP-550-F	VLP-550-F	I	0.118	Clear	0.55	.30	.23	.17	.133
Low Profile									
749-PLP2-125	PLP2-125	J	0.112	Clear	0.125	.73	.41	.29	.25
749-PLP2-250	PLP2-250	J	0.112	Clear	0.25	.73	.41	.29	.25
749-PLP2-350	PLP2-350	J	0.112	Clear	0.35	.73	.41	.29	.25
749-PLP2-375	PLP2-375	J	0.112	Clear	0.375	.73	.41	.29	.25
749-PLP2-500	PLP2-500	J	0.112	Clear	0.5	.73	.41	.29	.25
749-PLP2-625	PLP2-625	J	0.112	Clear	0.625	.73	.41	.29	.25
749-PLP2-750	PLP2-750	J	0.112	Clear	0.75	.73	.41	.29	.25
749-PLP5-2-250	PLP5-2-250	J	0.152	Clear	0.25	.73	.41	.29	.25
749-PLP5-2-500	PLP5-2-500	J	0.152	Clear	0.5	.73	.41	.29	.25
749-PLP5-2-625	PLP5-2-625	J	0.152	Clear	0.625	.73	.41	.29	.25
749-PLP5-2-750	PLP5-2-750	J	0.152	Clear	0.75	.73	.41	.29	.25
Round Face									
749-PLP1-125	PLP1-125	K	0.118	Clear	0.125	.73	.41	.29	.25
749-PLP1-250	PLP1-250	K	0.118	Clear	0.25	.73	.41	.29	.25
749-PLP1-375	PLP1-375	K	0.118	Clear	0.375	.73	.41	.29	.25
749-PLP1-500	PLP1-500	K	0.118	Clear	0.5	.73	.41	.29	.25
749-PLP1-625	PLP1-625	K	0.118	Clear	0.625	.73	.41	.29	.25
749-PLP1-750	PLP1-750	K	0.118	Clear	0.75	.73	.41	.29	.25
Round Face - Vertical									
749-VLP-250-R	VLP-250-R	L	0.118	Clear	0.25	.26	.20	.14	.115
749-VLP-300-R	VLP-300-R	L	0.118	Clear	0.3	.26	.20	.14	.115
749-VLP-350-R	VLP-350-R	L	0.118	Clear	0.35	.28	.21	.16	.124
749-VLP-450-R	VLP-450-R	L	0.118	Clear	0.45	.28	.21	.16	.124
Standard									
749-PLP5-125	PLP5-125	K	0.194	Clear	0.125	1.26	.697	.493	.426
749-PLP5-250	PLP5-250	K	0.194	Clear	0.25	.73	.41	.29	.25
749-PLP5-750	PLP5-750	K	0.194	Clear	0.75	.73	.41	.29	.25
749-PLP5-1000	PLP5-1000	K	0.194	Clear	1	.73	.41	.29	.25
749-PLP5-1500	PLP5-1500	K	0.194	Clear	1.5	.73	.41	.29	.25