

# CHERRY Snap Action Switches



## CHERRY E SERIES: MINIATURE SNAP ACTION SWITCHES

### Specifications:

- Terminals: .187" Q.C.
- Package Size (In.) 1.093L x .406W x .625H

### Typical Applications:

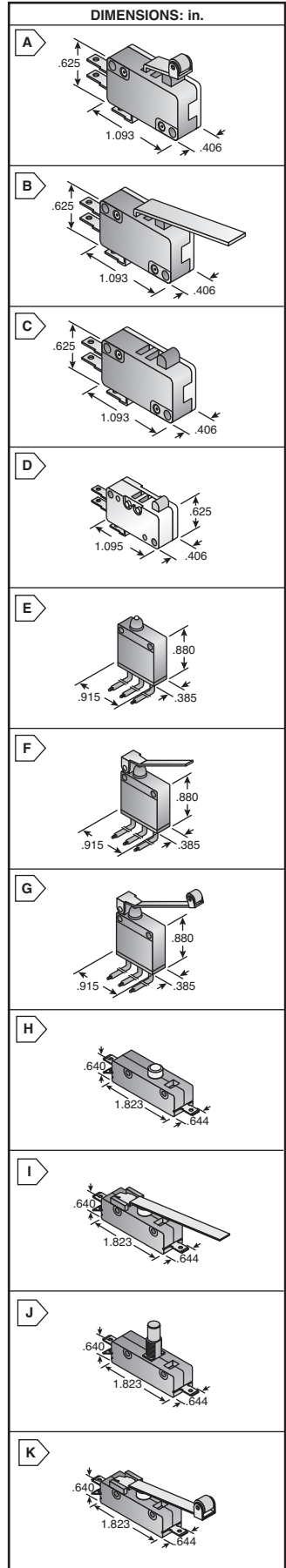
- Appliances
- Office Equipment
- Vending Machines



RoHS Compliant

For quantities greater than 500, call for quote.

MOUSER STOCK NO.	Cherry Part No.	Fig.	Actuator Length: in.	Actuator Style	Operating Force	Operating Position: in.	Price Each			
							1	50	100	250
<b>Rating: 0.1A-125 VAC</b>										
540-E21-00K	E21-00K	A	0.81	Roller	75g	0.806±0.030	6.10	4.88	4.02	3.66
540-E21-50H	E21-50H	B	1.4	Straight	35g	0.600±0.045	5.62	4.49	3.71	3.37
540-E21-50K	E21-50K	A	1.34	Roller	35g	0.806±0.045	6.46	5.17	4.26	3.88
540-E21-85HX	E21-85HX	B	2.932	Straight	2g	0.600±0.175	6.10	4.88	4.02	3.66
<b>Rating: 3A-125/250 VAC, 1/10 HP-250 VAC</b>										
540-E22-00A	E22-00A	C	-----	Button	75g	0.578±0.020	3.03	2.43	2.00	1.82
540-E22-00AX	E22-00AX	C	-----	Button	15g	0.578±0.020	3.32	2.65	2.57	2.46
540-E22-00K	E22-00K	A	0.81	Roller	75g	0.806±0.030	4.08	3.26	2.69	2.45
540-E22-50H	E22-50H	B	1.4	Straight	35g	0.600±0.045	3.46	2.76	2.28	2.07
540-E22-50HX	E22-50HX	B	1.4	Straight	8g	0.600±0.045	3.71	2.97	2.45	2.22
540-E22-50KL	E22-50KL	A	1.516	Roller	25g	0.806±0.075	4.08	3.26	2.69	2.45
540-E22-55HX	E22-55HX	B	2.757	Straight	4g	0.600±0.100	3.71	2.97	2.45	2.22
540-E22-85HX	E22-85HX	B	2.932	Straight	2g	0.600±0.175	3.88	3.10	2.56	2.33
<b>Rating: 5A 1/4 H.P., 125/250 VAC</b>										
540-E23-00A	E23-00A	C	-----	Button	170g	0.578±0.020	2.93	2.35	1.93	1.76
540-E23-00AX	E23-00AX	C	-----	Button	45g	0.578±0.020	3.03	2.43	2.00	1.82
540-E23-00K	E23-00K	A	0.81	Roller	170g	0.806±0.030	4.16	3.33	2.74	2.49
540-E23-50K	E23-50K	A	1.34	Roller	86g	0.806±0.045	4.16	3.33	2.74	2.49
540-E23-55HX	E23-55HX	B	2.757	Straight	10g	0.600±0.100	3.82	3.06	2.52	2.29
540-E23-85HX	E23-85HX	B	2.932	Straight	6g	0.600±0.175	3.82	3.06	2.52	2.29
<b>Rating: 10A 1/2 H.P., 125/250 VAC</b>										
540-E33-50H	E33-50H	B	1.4	Straight	144g	0.600±0.045	3.09	2.47	2.04	1.85
540-E33-50K	E33-50K	A	1.34	Roller	144g	0.806±0.045	3.60	2.88	2.37	2.16
540-E33-85HX	E33-85HX	B	2.932	Straight	10g	0.600±0.175	3.79	3.03	2.50	2.28
<b>Rating: 15A 1/2 H.P., 125/250 VAC</b>										
540-E34-00A	E34-00A	C	-----	Button	400g	0.578±0.020	3.09	2.47	2.04	1.85
540-E34-00K	E34-00K	A	0.81	Roller	400g	0.806±0.030	3.99	3.19	2.63	2.39
540-E34-50H	E34-50H	B	1.4	Straight	200g	0.600±0.045	3.43	2.74	2.26	2.06
540-E34-50K	E34-50K	A	1.34	Roller	200g	0.806±0.045	3.93	3.15	2.60	2.36
540-E34-55HX	E34-55HX	B	2.757	Straight	22g	0.600±0.100	3.48	2.79	2.30	2.09
540-E34-85HX	E34-85HX	B	2.932	Straight	13g	0.600±0.175	3.65	2.92	2.41	2.19



## CHERRY K SERIES MINIATURE SNAP ACTION SWITCHES

### Specifications:

- Package Size (In.) 1.140L x .406W x .625H
- 25A 250 VAC, 1 HP, 125 VAC, 2 HP, 250 VAC

### Typical Applications:

- Appliances
- Industrial Controls
- Office Equipment



RoHS Compliant

For quantities greater than 500, call for quote.

MOUSER STOCK NO.	Cherry Part No.	Fig.	Terminal Type	Actuator Style	Operating Force	Operating Position: in.	Price Each			
							1	50	100	250
540-KWSA-VACA	KWSA-VACA	D	.250 x .032 Q.C.	Button	225g	.563/.593	3.36	2.69	2.22	2.02

## CHERRY E70 SERIES: SEALED SNAP ACTION SWITCHES

### Specifications:

- Package Size (In.) .915L x .385W x .880H

### Typical Applications:

- Automotive
- Lawn and Garden



RoHS Compliant

For quantities greater than 500, call for quote.

MOUSER STOCK NO.	Cherry Part No.	Fig.	Terminal Type	Actuator Length: in.	Actuator Style	Operating Force	Operating Position: in.	Price Each			
								1	50	100	250
<b>10.1 Amp, 1/4 H.P., 125/250 VAC</b>											
540-E72-40AT	E72-40AT	E	10" 16 awg Wire Leads	-----	Button	300g	.310±.35	10.82	8.65	7.14	6.49
540-E72-40HT	E72-40HT	F	10" 16 awg Wire Leads	0.858	Straight	67g	.440±.75	11.52	9.21	7.60	6.91
540-E72-40KT	E72-40KT	G	10" 16 awg Wire Leads	0.65	Roller	75g	.762±.125	13.06	10.45	8.62	7.84

## CHERRY E SERIES: GENERAL PURPOSE SINGLE POLE SWITCHES

### Specifications:

- Terminals: .250" Q.C.
- Package Size (In.) 1.823L x .644W x .640H

### Typical Applications:

- Appliances
- Industrial Controls



RoHS Compliant

For quantities greater than 500, call for quote.

MOUSER STOCK NO.	Cherry Part No.	Fig.	Actuator Length: in.	Actuator Style	Operating Force	Operating Position: in.	Price Each			
							1	50	100	250
<b>Rating: 15A-125/250 VAC, 3/4 HP-125 VAC, 1-1/2 HP-250 VAC</b>										
540-E13-00E	E13-00E	H	1.5	Button	425g	0.285±0.020	2.76	2.20	1.82	1.65
540-E13-00H	E13-00H	I	-----	Straight	100g	0.312±0.062	3.93	3.15	2.60	2.36
540-E13-00J	E13-00J	J	-----	3/8 x 32 thread, plastic button	425g	0.670±0.030	3.21	2.57	2.12	1.93
540-E13-00K	E13-00K	K	1.391	Roller	100g	0.718±0.062	4.76	3.81	3.14	2.86
540-E13-00M	E13-00M	J	-----	3/8 x 32 thread, metal button	425g	0.812±0.030	4.07	3.25	2.68	2.44
540-E13-50H	E13-50H	L	1.75	Straight	65g	0.281±0.062	3.93	3.15	2.60	2.36
<b>Rating: 25A-125/250 VAC, 1HP-125 VAC, 2 HP-250 VAC</b>										
540-E14-00H	E14-00H	I	0.821	Straight	285g	0.468±0.062	4.90	3.92	3.23	2.94
540-E14-00M	E14-00M	J	-----	3/8 x 32 thread, metal button	850g	0.775±0.030	4.84	3.87	3.20	2.91
540-E14-50H	E14-50H	L	1.071	Straight	170g	0.437±0.062	4.82	3.85	3.18	2.89
540-0012-0023	0012-0023	---	---	Brass Hex Nut	---	---	.13	.12	.11	.10